

aiwa

COMPACT DISC STEREO SYSTEM
SISTEMA ESTEREO CON REPRODUCTOR DE DISCOS COMPACTOS
CHAINE STEREO AVEC LECTEUR DE DISQUES COMPACTS

CX-NHMT75

*-For NSX-HMT75 and
NSX-HMT76*

OPERATING INSTRUCTIONS
MANUAL DE INSTRUCCIONES
MODE D'EMPLOI

En (English)

E (Español)

F (Français)

Owner's record

For your convenience, record the model number and serial number (you will find them on the rear of your set) in the space provided below. Please refer to them when you contact your Aiwa dealer in case of difficulty.

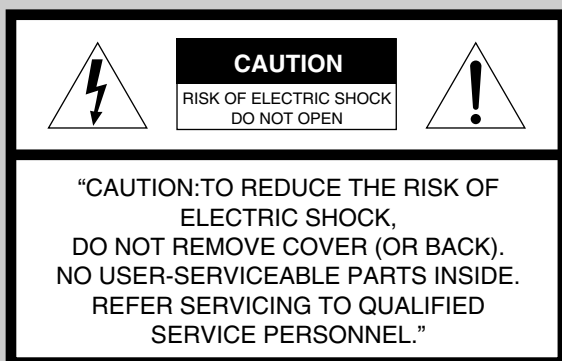
Model No. _____ Serial No. _____

For assistance and information

call toll free 1-800-BUY-AIWA (United States and Puerto Rico)

WARNING

TO REDUCE THE RISK OF FIRE OR ELECTRIC SHOCK, DO NOT EXPOSE THIS APPLIANCE TO RAIN OR MOISTURE.



Explanation of Graphical Symbols:



The lightning flash with arrowhead symbol, within an equilateral triangle, is intended to alert the user to the presence of uninsulated "dangerous voltage" within the product's enclosure that may be of sufficient magnitude to constitute a risk of electric shock to persons.



The exclamation point within an equilateral triangle is intended to alert the user to the presence of important operating and maintenance (servicing) instructions in the literature accompanying the appliance.

NOTE

This equipment has been tested and found to comply with the limits for a Class B digital device, pursuant to Part 15 of the FCC Rules. These limits are designed to provide reasonable protection against harmful interference in a residential installation.

This equipment generates, uses, and can radiate radio frequency energy and, if not installed and used in accordance with the instructions, may cause harmful interference to radio communications. However, there is no guarantee that interference will not occur in a particular installation. If this equipment does cause harmful interference to radio or television reception, which can be determined by turning the equipment off and on, the user is encouraged to try to correct the interference by one or more of the following measures:

- Reorient or relocate the receiving antenna.
- Increase the separation between the equipment and receiver.
- Connect the equipment into an outlet on circuit different from that to which the receiver is connected.
- Consult the dealer or an experienced radio/TV technician for help.

CAUTION

Modifications or adjustments to this product, which are not expressly approved by the manufacturer, may void the user's right or authority to operate this product.

PRECAUTIONS

Read the Operating Instructions carefully and completely before operating the unit. Be sure to keep the Operating Instructions for future reference. All warnings and cautions in the Operating Instructions and on the unit should be strictly followed, as well as the safety suggestions below.

Installation

- 1 Water and moisture** — Do not use this unit near water, such as near a bathtub, washbowl, swimming pool, or the like.
- 2 Heat** — Do not use this unit near sources of heat, including heating vents, stoves, or other appliances that generate heat. It also should not be placed in temperatures less than 5°C (41°F) or greater than 35°C (95°F).
- 3 Mounting surface** — Place the unit on a flat, even surface.
- 4 Ventilation** — The unit should be situated with adequate space around it so that proper heat ventilation is assured. Allow 10 cm (4 in.) clearance from the rear and the top of the unit, and 5 cm (2 in.) from each side.
 - Do not place the unit on a bed, rug, or similar surface that may block the ventilation openings.
 - Do not install the unit in a bookcase, cabinet, or airtight rack where ventilation may be impeded.
- 5 Objects and liquid entry** — Take care that objects or liquids do not get inside the unit through the ventilation openings.
- 6 Carts and stands** — When placed or mounted on a stand or cart, the unit should be moved with care. Quick stops, excessive force, and uneven surfaces may cause the unit or cart to overturn or fall.



- 7 Condensation** — Moisture may form on the CD pickup lens when:
 - The unit is moved from a cold spot to a warm spot
 - The heating system has just been turned on
 - The unit is used in a very humid room
 - The unit is cooled by an air conditioner
 When this unit has condensation inside, it may not function normally. Should this occur, leave the unit for a few hours, then try to operate again.
- 8 Wall or ceiling mounting** — The unit should not be mounted on a wall or ceiling, unless specified in the Operating Instructions.

Electric Power

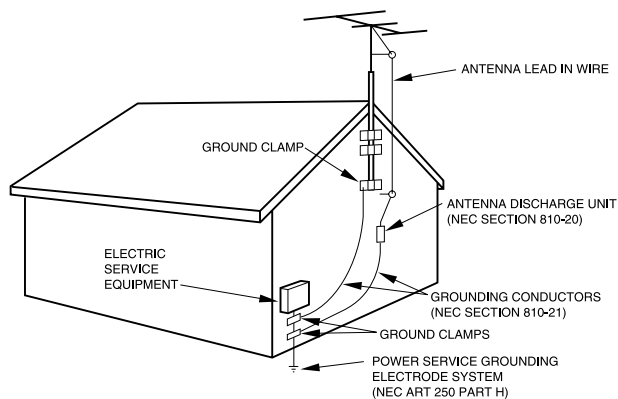
- 1 Power sources** — Connect this unit only to power sources specified in the Operating Instructions, and as marked on the unit.
- 2 Polarization** — As a safety feature, some units are equipped with polarized AC power plugs which can only be inserted one way into a power outlet. If it is difficult or impossible to insert the AC power plug into an outlet, turn the plug over and try again. If it still does not easily insert into the outlet, please call a qualified service technician to service or replace the outlet. To avoid defeating the safety feature of the polarized plug, do not force it into a power outlet.
- 3 AC power cord**
 - When disconnecting the AC power cord, pull it out by the AC power plug. Do not pull the cord itself.
 - Never handle the AC power plug with wet hands, as this could result in fire or shock.
 - Power cords should be firmly secured to avoid being severely bent, pinched, or walked upon. Pay particular attention to the cord from the unit to the power outlet.
 - Avoid overloading AC outlets and extension cords beyond their capacity, as this could result in fire or shock.

- 4 **Extension cord** — To help prevent electric shock, do not use a polarized AC power plug with an extension cord, receptacle, or other outlet unless the polarized plug can be completely inserted to prevent exposure of the blades of the plug.
- 5 **When not in use** — Unplug the AC power cord from the power outlet if the unit will not be used for several months or more. When the cord is plugged in, a small amount of current continues to flow to the unit, even when the power is turned off.

Outdoor Antenna

- 1 **Power lines** — When connecting an outdoor antenna, make sure it is located away from power lines.
- 2 **Outdoor antenna grounding** — Be sure the antenna system is properly grounded to provide protection against unexpected voltage surges or static electricity build-up. Article 810 of the National Electrical Code, ANSI/NFPA 70, provides information on proper grounding of the mast, supporting structure, and the lead-in wire to the antenna discharge unit, as well as the size of the grounding unit, connection to grounding terminals, and requirements for grounding terminals themselves.

Antenna Grounding According to the National Electrical Code



NEC-NATIONAL ELECTRICAL CODE

Maintenance

Clean the unit only as recommended in the Operating Instructions.

Damage Requiring Service

- Have the units serviced by a qualified service technician if:
- The AC power cord or plug has been damaged
 - Foreign objects or liquid have gotten inside the unit
 - The unit has been exposed to rain or water
 - The unit does not seem to operate normally
 - The unit exhibits a marked change in performance
 - The unit has been dropped, or the cabinet has been damaged
- DO NOT ATTEMPT TO SERVICE THE UNIT YOURSELF.**

Check your system and accessories

NSX-HMT75/NSX-HMT76

- CX-NHMT75 Compact disc stereo cassette receiver
- SX-NAJ72 Front speakers
- SX-R275 Surround speakers
- SX-C605 Center speaker
- TS-W45 Subwoofer (for NSX-HMT76 only)

- Remote control
- AM antenna
- FM antenna

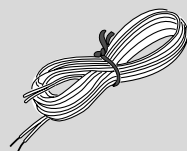
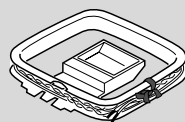
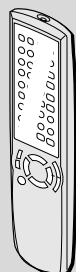


TABLE OF CONTENTS

PRECAUTIONS	2
PREPARATIONS	
CONNECTIONS	4
REMOTE CONTROL	6
BEFORE OPERATION	7
SETTING THE CLOCK	8
SOUND	
AUDIO ADJUSTMENTS	9
GRAPHIC EQUALIZER	10
DSP SURROUND	11
RADIO RECEPTION	
MANUAL TUNING	12
PRESETTING STATIONS	12
TAPE PLAYBACK	
BASIC OPERATIONS	13
CONTINUOUS PLAY	14
CD PLAYING	
BASIC OPERATIONS	15
PROGRAMMED PLAY	16
RECORDING	
BASIC RECORDING	17
DUBBING A TAPE MANUALLY	18
DUBBING THE WHOLE TAPE	18
AI EDIT RECORDING	19
PROGRAMMED EDIT RECORDING	20
DOLBY PRO LOGIC	
ADJUSTING SPEAKER LEVEL BALANCE	21
PLAY WITH DOLBY PRO LOGIC	22
KARAOKE	
MICROPHONE MIXING	23
KARAOKE PROGRAM	24
TIMER	
SETTING THE SLEEP TIMER	25
SETTING THE TIMER	25
OTHER FEATURES	
DEMO (Demonstration)	27
OTHER CONNECTIONS	
CONNECTING OPTIONAL EQUIPMENT	28
LISTENING TO EXTERNAL SOURCES	28
CONNECTING A DVD PLAYER	29
GENERAL	
CARE AND MAINTENANCE	30
TROUBLESHOOTING GUIDE	30
SPECIFICATIONS	31
PARTS INDEX	Back cover

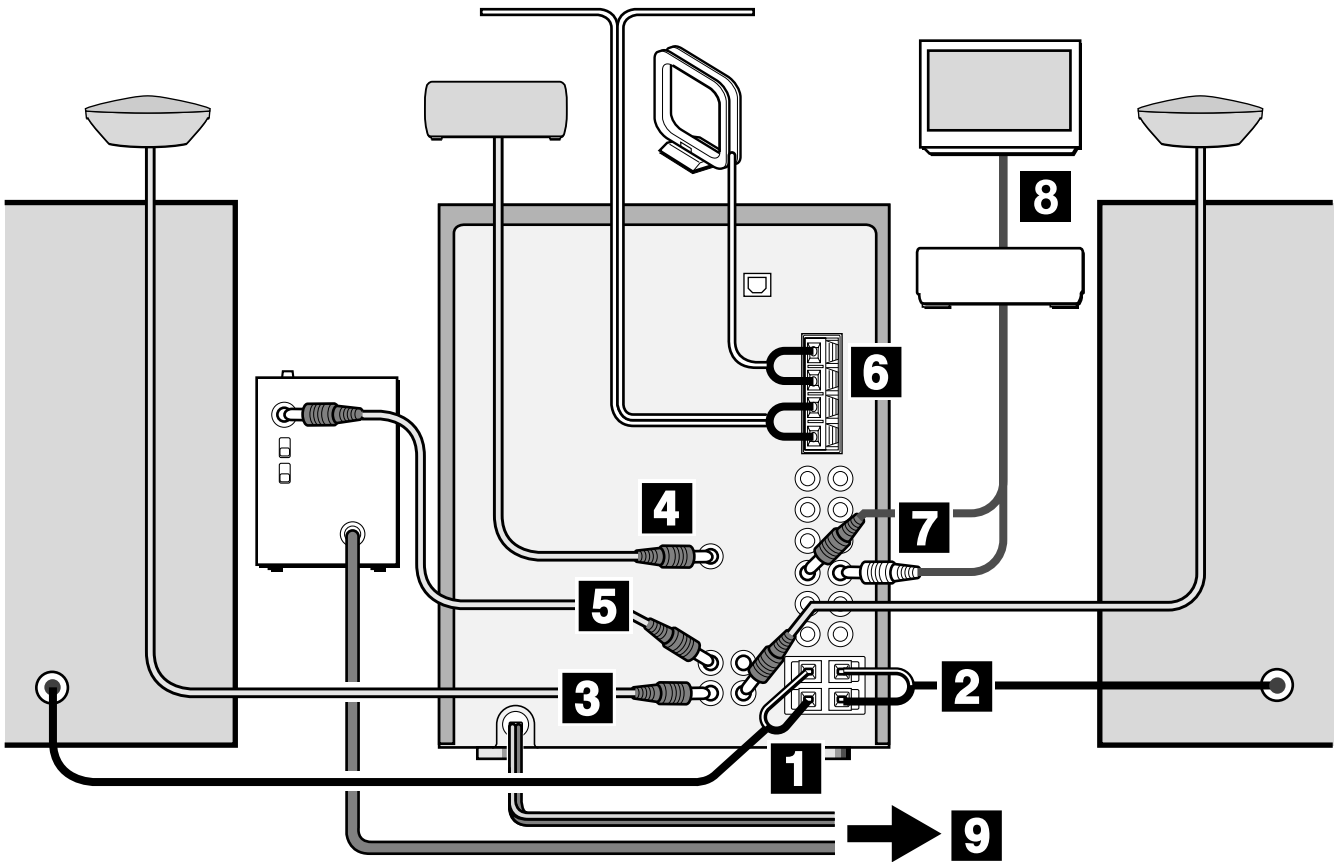
CONNECTIONS

Before connecting the AC cord

The rated voltage of your unit shown on the rear panel is 120 V AC. Check that the rated voltage matches your local voltage.

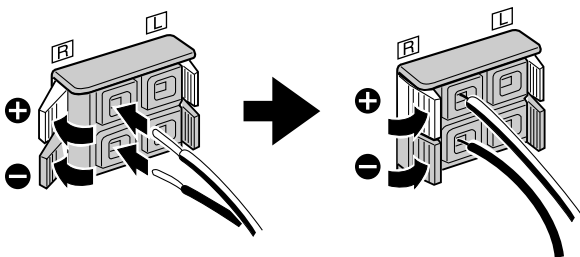
IMPORTANT

Connect the speakers, antennas, and all optional equipment first. Then connect the AC cord.



1 Connect the right speaker to the main unit.

Connect the speaker cord with the white stripe to the **SPEAKERS R** \oplus terminal and the black cord to the \ominus terminal.

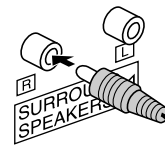


2 Connect the left speaker to the main unit.

Connect the speaker cords to the **SPEAKERS L** terminals in the same manner as step 1.

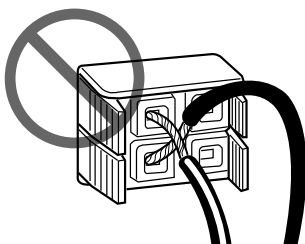
3 Connect the surround speakers.

Connect the surround speaker cords to **SURROUND SPEAKERS** terminals.



NOTE

- Be sure to connect the speaker cords correctly. Improper connections can cause short circuits in **SPEAKERS** terminals.



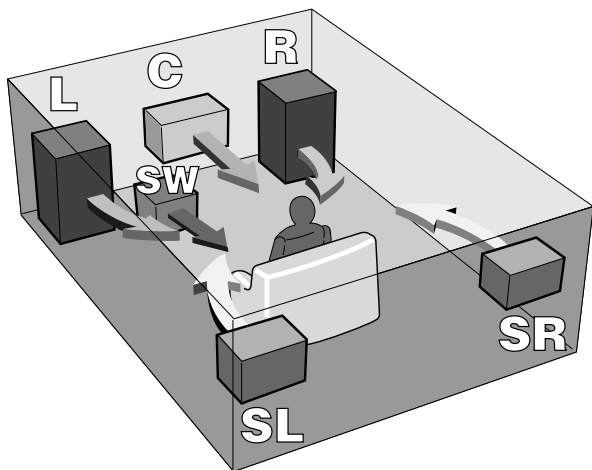
4 Connect the center speaker.

Connect the center speaker cord to **CENTER SPEAKER** terminal.



POSITIONING THE SPEAKERS

To achieve the optimum effects obtainable with the DOLBY PRO LOGIC system, it is important to position the speakers properly. Refer to the following illustration to find out the best location in your room.



L&R: Front speakers

C: Center speaker

Position in the center of the two front speakers. In addition, position on or below the TV set, if connecting a TV set to the unit.

SL&SR: Surround speakers

Place the surround speakers directly to the side of or slightly behind the listening area. Align them horizontally, about 1 meter (3.2 feet) above ear height.

SW: Subwoofer (for NSX-HMT76 only)

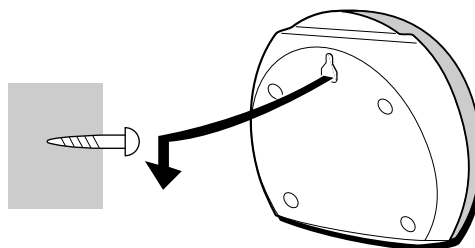
Place the subwoofer on the floor close to a wall or in a corner of the room.

NOTE

- No sound is heard from the center and surround speakers when the DOLBY PRO LOGIC, the SURROUND system and the 5.1 CH (page 29) are set to off.
- The center speaker sounds when the DOLBY PRO LOGIC or the 5.1 CH (page 29) is set to on.

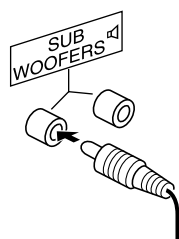
To mount the surround speakers on the wall

Mount each speaker on a spot that can hold its weight.



5 Connect the subwoofer (only for NSX-HMT76).

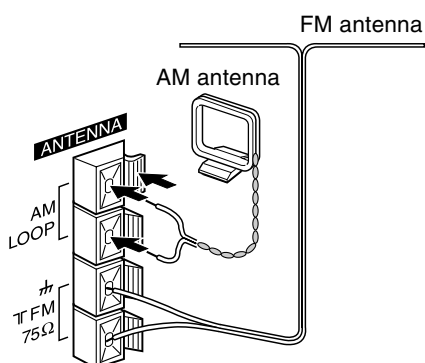
Connect the subwoofer cord to **SUBWOOFERS** terminal. You can connect to either of the two terminals.



- Refer to the Operating Instructions of TS-W45 for details.

6 Connect the supplied antennas.

Connect the FM antenna to **FM 75 Ω** terminals and the AM antenna to **AM LOOP** terminals.



7 Connect the video equipment.

Connect **VIDEO/AUX** jack of this unit to the audio output jack of the video equipment with an optional audio connecting cord.

8 Connect the television to the video equipment.

Refer to the Operating Instructions of the connected equipment for details.

9 Connect the AC cord to an AC outlet.

The DEMO will begin when the AC cord is plugged into an AC outlet for the first time. To deactivate the DEMO, set the clock.

NOTE

- Do not leave objects generating magnetism, such as credit cards, near the speakers, as these objects may be damaged.
- Do not bring the FM antenna near metal objects or curtain rails.
- Do not bring the AM antenna near other optional equipment, the stereo system itself, the AC cord or speaker cords, since noise will be picked up.
- Do not unwind the AM antenna wire.

To position the antennas

FM feeder antenna:

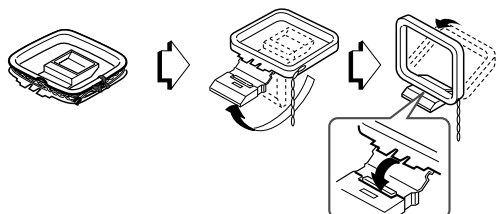
Extend this antenna horizontally in a T-shape and fix its ends to the wall.

AM antenna:

Position and rotate this antenna to find the best possible reception.

To stand the AM antenna on a surface

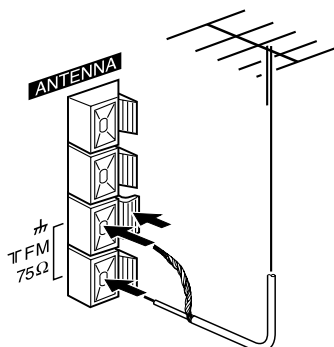
Fix the claw to the slot.



CONNECTING AN OUTDOOR ANTENNA

For better FM reception, use of an outdoor antenna is recommended.

Connect the outdoor antenna to **FM 75 Ω** terminals.

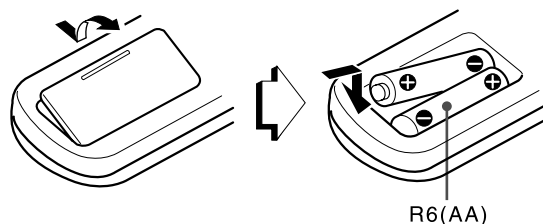


To connect other optional equipment → page 28.

REMOTE CONTROL

Inserting batteries

Detach the battery cover on the rear of the remote control and insert two R6 (size AA) batteries.



When to replace the batteries

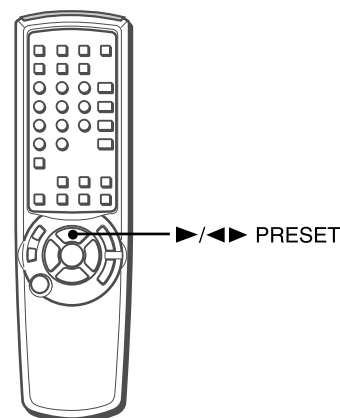
The maximum operational distance between the remote control and the sensor on the main unit should be approximately 5 meters (16 feet). When this distance decreases, replace the batteries with new ones.

Using the remote control

The instructions in this manual refer mainly to the buttons on the main unit. Buttons on the remote control with the same names as those on the main unit can be used as well.

▶/◀ PRESET on the remote control

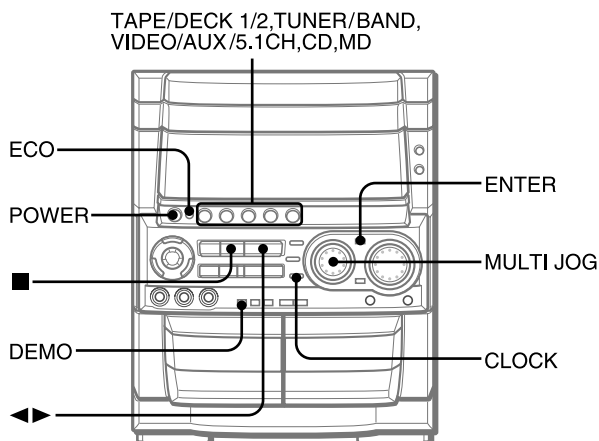
The function is the same as that of ◀▶ on the main unit.



NOTE

- If the remote control is not going to be used for an extended period of time, remove the batteries to prevent possible electrolyte leakage.
- The remote control may not operate correctly when:
 - The line of sight between the remote control and the remote sensor inside the display window is exposed to intense light, such as direct sunlight
 - Other remote controls are used nearby (those of a television, etc.)

BEFORE OPERATION



To turn the power on

Press one of the function buttons (**TAPE/DECK 1/2, TUNER/BAND, VIDEO/AUX/5.1CH, CD, MD**). Playback of the inserted disc or tape begins, or the previously tuned station is received (Direct Play Function).

POWER is also available.

NOTE

When the power is turned on, the disc compartment may open and close to reset the unit.

To turn the power off

Press **POWER**.

DEMO(Demonstration)

When the AC cord is plugged into an AC outlet for the first time after purchase, the DEMO will begin in the display. When the power is turned on, the DEMO will end. When the power is turned off, the DEMO will begin again.

When the clock is set, the DEMO will not begin even if the power is turned off.

To deactivate or activate DEMO

Press **CLOCK**, and clock is displayed in place of the DEMO. Press **DEMO** to activate.

(For more about the DEMO, see page 27)

SETTING POWER ECONOMIZING MODE

When you set power economizing mode to "ECO ON" or "ECO AUTO", the unit reduces power consumption by conducting four ECO operations as follows.

ECO ON

- The unit (all the illumination of the display and the buttons) blacks out when the power is turned off. Only the red indicator lights up.
- If DIMMER (1-3) is selected, the illumination of the display and the buttons brighten for 10 seconds only when you press a button or turn **VOLUME** or **MULTI JOG**.
- The display dimmer mode is set to the dimmest, the button illumination lights off, and the volume is set to the minimum (0) when the unit turns on by timer recording.

ECO AUTO

- In addition to the three operations of ECO ON, the unit automatically turns itself off if you do not operate it and the sound source is mute for 10 minutes.

ECO OFF

The power economizing mode does not function.

1 Press ECO.

"ECO MODE" will be displayed.



2 Press ENTER within 4 seconds.

The current power-economizing mode status will be displayed.

3 Turn MULTI JOG within 4 seconds to select one of the power-economizing modes.

Example : When "ECO ON" is selected.



4 Press ENTER within 4 seconds.

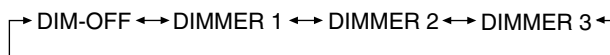
NOTE

If the clock is not set, the unit does not black out. Instead, the DEMO will begin when the power is turned off.

DIMMER MODE

To change the display dimmer mode

- 1 Press **ECO** repeatedly until "DIM MODE" is displayed.
- 2 Within 4 seconds, press **ENTER**.
- 3 Within 4 seconds, turn **MULTI JOG** to select one of the dimmer modes changed cyclically as below.
- 4 Within 4 seconds, press **ENTER**.



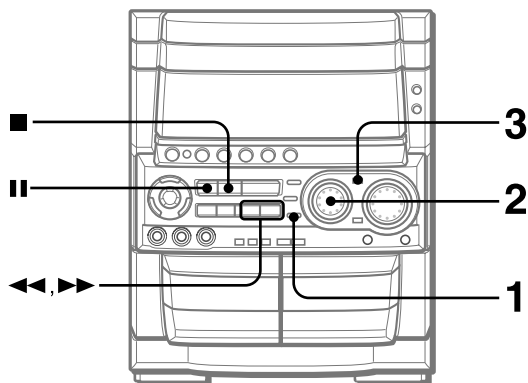
"DIM-OFF" mode is the brightest and "DIMMER 3" mode is the dimmest. In "DIMMER 3" mode, the spectrum analyzer, the window of the unit top, and the button illumination light off in addition.

FLASH WINDOW

The window on the top of the unit lights up or flashes and the inside of the cassette holders light up while the unit is being powered on.

To turn off the light of the top window, press **■** while pressing **CD**. To turn off the light inside the cassette holders, press **■** while pressing **TAPE**. To turn either light back on, repeat the operation, respectively.

SETTING THE CLOCK



1 Press CLOCK.

The clock is displayed. (The “:” between the hours and minutes flashes.)



2 Within 4 seconds, turn MULTI JOG to designate the hour and the minute.

Turning **MULTI JOG** changes both the hour and the minute. ◀◀ or ▶▶ is also available in place of **MULTI JOG**. Holding these buttons down will vary the time rapidly.

3 Press ENTER or ■.

The clock starts from 00 seconds.

To restore an original clock setting

Press **CLOCK** before completing step 3 to restore the previous time setting. This cancels any new setting.

To view the clock when another display is in the display

Press **CLOCK**. The time is displayed for 4 seconds and then the original display reappears. However, the clock cannot be displayed during recording.

To switch to the 24-hour standard

Press **CLOCK** and then press ■ within 4 seconds.

Repeat the same procedure to restore the 12-hour standard.

In the 12-hour standard, “AM 12:00” indicates midnight and “PM 12:00” indicates noon.

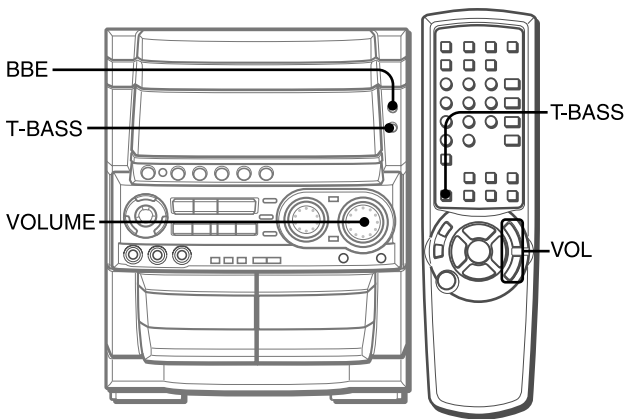
If the clock display flashes

If the display flashes when the clock is displayed, it indicates that the clock has stopped due to a power failure or the removal of the power cord. The current time needs to be reset.

NOTE

If the power-economizing mode (page 7) is on, the unit blacks out when the power is turned off. To view the clock, press **CLOCK** so that the time is displayed for 4 seconds.

AUDIO ADJUSTMENTS



VOLUME

Turn **VOLUME** on the main unit, or press **VOL** on the remote control.

The volume level is displayed as a number from 0 to MAX (50). The volume level is automatically set to 20 when the power is turned off with the volume level set to 21 or more.

To change the left/right balance

Press **MANUAL SELECT** on the remote control. "L/R" is displayed for 4 seconds. Press **◀◀ DOWN** or **▶▶ UP** on the remote control within these 4 seconds.

- The DOLBY PRO LOGIC and the DOLBY DIGITAL SURROUND front speakers level is also changed. (See pages 21 and 29)

BBE SYSTEM

The BBE system enhances the clarity of high-frequency sound. It also enriches the Karaoke function to make your voice sound clear and pleasant.

Press BBE.

Each time it is pressed, the level changes. Select one of the three levels, or the off position to suit your preference.



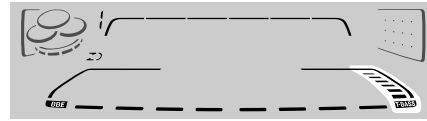
- The BBE system does not perform while 5.1 CH INPUTs (page 29) are active.

SUPER T-BASS SYSTEM

The T-BASS system enhances the realism of low-frequency sound.

Press T-BASS.

Each time it is pressed, the level changes. Select one of the three levels, or the off position to suit your preference.



NOTE

- Low frequency sound may be distorted when the T-BASS system is used for a disc or tape in which low frequency sound is originally emphasized. In this case, cancel the T-BASS system.
- When playing back a tape recorded with BBE, it is recommended that BBE be set to off to avoid distorted high frequency sound.

GRAPHIC EQUALIZER

SELECTING THE PROGRAMMED EQUALIZATION CURVE

This unit provides the following 5 different programmed equalization curves.

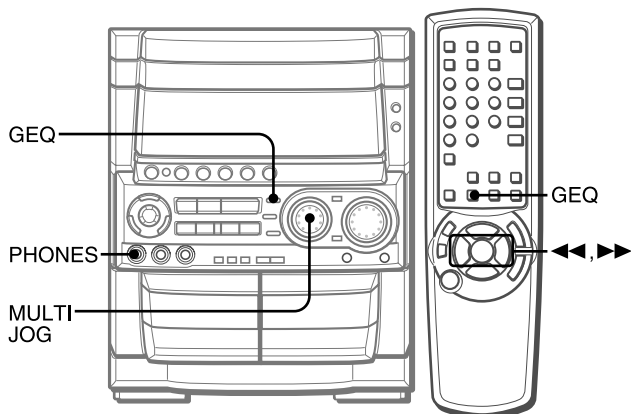
ROCK: Powerful sound emphasizing treble and bass

POP: More presence in the vocals and midrange

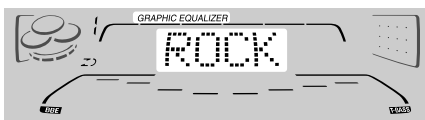
LATIN: Accented higher frequencies for latin music.

CLASSIC: Enriched sound with heavy bass and fine treble.

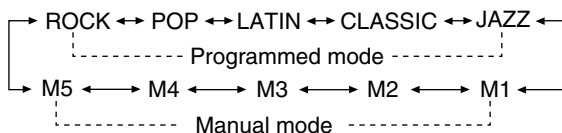
JAZZ: Accented lower frequencies for jazz-type music



Press **GEQ**, and turn **MULTI JOG** to select one of the programmed equalization curves within 4 seconds.



"GRAPHIC EQUALIZER" appears and the GEQ mode is displayed cyclically as follows.



To display the current GEQ mode

Press **GEQ**. The current mode is displayed for 4 seconds.

To cancel the selected mode

Press **GEQ** twice.

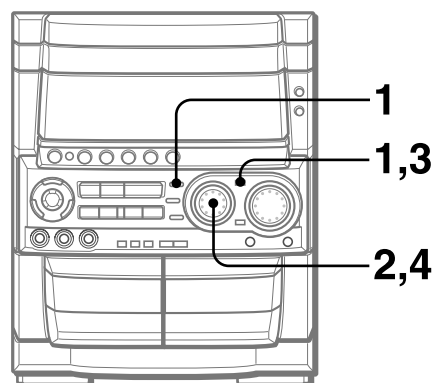
"GEQ OFF" appears and "GRAPHIC EQUALIZER" disappears.

To select with the remote control

Press **GEQ**, and within 4 seconds press **◀** or **▶** repeatedly.

The GEQ mode is displayed cyclically as above.

SETTING A NEW EQUALIZATION CURVE MANUALLY



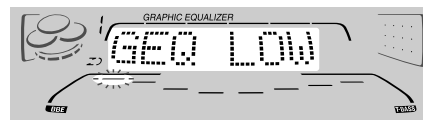
The equalization curve can be customized to suit your preference.

1 Press **GEQ**, followed by **ENTER** within 4 seconds.

Your customized setting will be based on the currently selected curve. To select a different curve to work on, turn **MULTI JOG** before pressing **ENTER**.

The display will be switched to read "GEQ LOW."

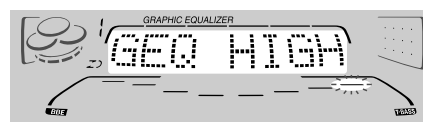
2 Within 8 seconds, turn **MULTI JOG** to adjust the level of the lowest frequency.



3 Press **ENTER** to let "GEQ HIGH" show.

The highest level frequency indicator flashes for 8 seconds.

4 Within 8 seconds, turn **MULTI JOG** to adjust the level of the highest frequency.



The frequency level indicators of between the lowest and the highest are adjusted accordingly.

NOTE

If you do not store your customized equalization curve, it will be lost when you switch to a different curve or press **GEQ**. To store the new curve, see below.

Using the headphones

Connect headphones to the **PHONES** jack with a standard stereo plug (ø6.3 mm, 1/4 inch).

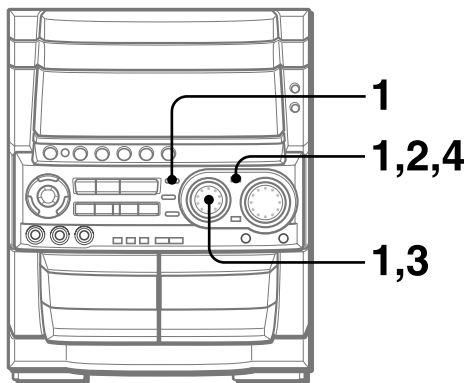
No sound is output from the speakers while the headphones are plugged in.

- When the headphones are plugged in, the DSP SURROUND system, the DOLBY PRO LOGIC and the 5.1 CH (page 29) do not function.

Sound adjustment during recording

The **VOLUME** control has no effect on recording, while the BBE affects recording.

STORING THE NEW EQUALIZATION CURVES



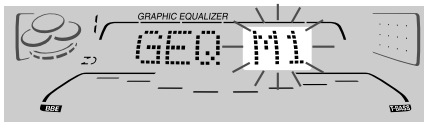
Up to 5 customized equalization curves can be stored as the manual modes M1 - M5.

1 Go through steps 1-4 of “Setting a New Equalization Curve Manually”.

The created curve is displayed for 8 seconds.

2 Within 8 seconds, press ENTER.

“M 1” flashes on the display for 8 seconds.



- If this step is not completed within 8 seconds, press **GEQ** first to display “GEQ ON”. Then within 4 seconds press **ENTER** repeatedly until “M1” flashes.

3 Within 8 seconds, turn MULTI JOG to select one of the manual modes M1 - M5 to store the curve.

4 Within 8 seconds, press ENTER.

The new equalization curve is stored.

To select the stored equalization curve

Press **GEQ**, and turn **MULTI JOG** to select one of the manual modes M1 - M5 within 4 seconds.

To adjust the volume of the surround speakers

Press **MANUAL SELECT** twice or three times on the remote control.

“S-L” or “S-R” is displayed for 4 seconds. Press **◀ DOWN** or **▶ UP** on the remote control within these 4 seconds.

- The DOLBY PRO LOGIC (page 21) and the DOLBY DIGITAL SURROUND (page 29) surround speakers level is also changed.

NOTE

The DSP SURROUND mode is canceled when:

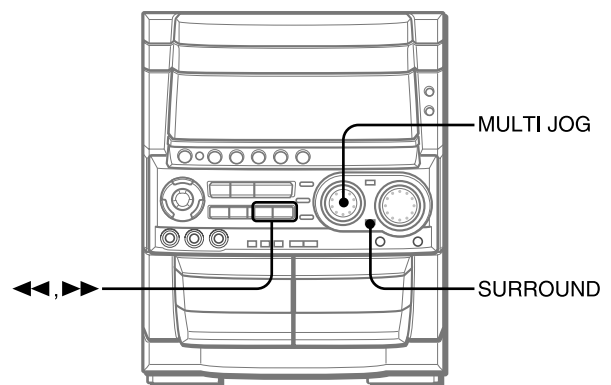
- the ECHO level is changed.
- the DOLBY PRO LOGIC is turned on.
- the headphones are plugged in.
- the 5.1 CH (page 29) is selected.

DSP SURROUND

The DSP (Digital Signal Processor) SURROUND adjusts the delay time, the input mode and the feedback level to give a resonant surround sound, allowing you to enjoy the real sound presence of different environments.

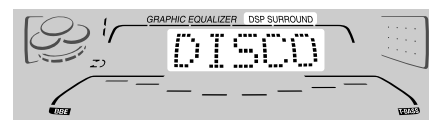
This unit has been programmed with 5 different SURROUND modes.

SELECTING A PROGRAMMED DSP SURROUND MODE



Five modes of DSP SURROUND offer the sound presence you'd experience in disco (DISCO), at a live concert (LIVE), stadium (STADIUM), in a concert hall (HALL) or movie theater (MOVIE). (Shown in parentheses are indications appearing in the display.)

Press **SURROUND**, and turn **MULTI JOG** or press **◀** or **▶** repeatedly to select the desired Programmed mode within 4 seconds.



“DSP SURROUND” appears and the DSP SURROUND mode is displayed cyclically as follows.



Equalization curves are selected automatically to match the DSP SURROUND modes and can also be selected or turned off to suit your preference.

To display the current DSP SURROUND mode

Press **SURROUND**. The current mode is displayed for 4 seconds.

To cancel the selected mode

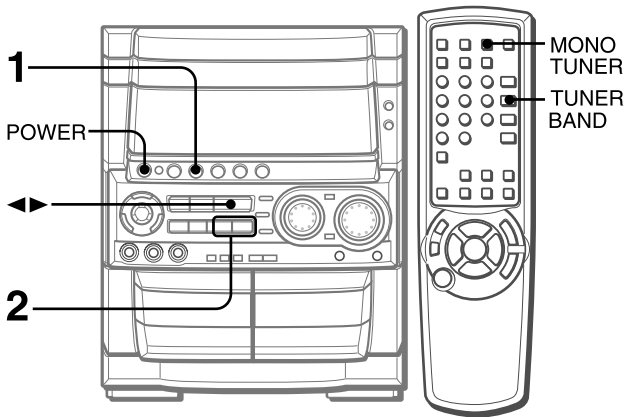
Press **SURROUND** twice. “DSP OFF” appears and “DSP SURROUND” disappears.

When the music source is monaural

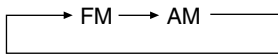
Select “LIVE”, “MOVIE” or “STADIUM” to obtain a simulated stereo effect.

When “DISCO” or “HALL” is selected, no sound will be heard from the surround speakers.

MANUAL TUNING



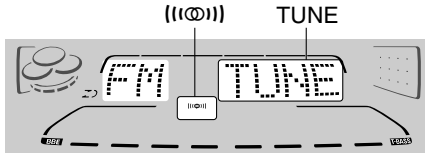
1 Press TUNER/BAND repeatedly to select the desired band.



When **TUNER/BAND** is pressed while the power is off, the power is turned on directly.

2 Press ◀◀ DOWN or ▶▶ UP to select a station.

Each time the button is pressed, the frequency changes. When a station is received, "TUNE" is displayed for 2 seconds. During FM stereo reception, ((Ⓜ)) is displayed.



To search for a station quickly (Auto Search)

Keep ◀◀ **DOWN** or ▶▶ **UP** pressed until the frequency starts to change rapidly. After tuning in to a station, the search stops. To stop the Auto Search manually, press ◀◀ **DOWN** or ▶▶ **UP**.
 • The Auto Search may not stop at stations with very weak signals.

When an FM stereo broadcast contains noise

Press **MONO TUNER** on the remote control so that "MONO" appears on the display. Noise is reduced, although reception is monaural. To restore stereo reception, repeat the above so that "MONO" disappears.

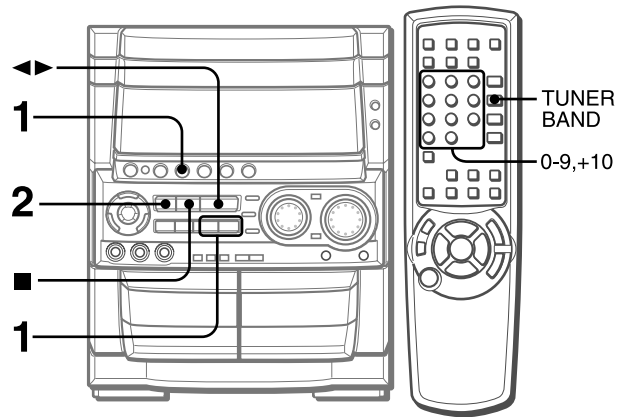
To change the AM tuning interval

The default setting of the AM tuning interval is 10 kHz/step. If you use this unit in an area where the frequency allocation system is 9 kHz/step, change the tuning interval. Press **POWER** while pressing **TUNER/BAND**. To reset the interval, repeat this procedure.

NOTE

When the AM tuning interval is changed, all preset stations are cleared. The preset stations have to be set again.

PRESETTING STATIONS

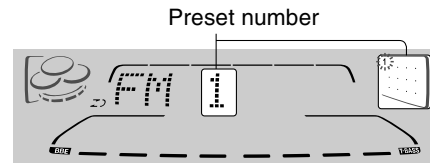


The unit can store a total of 32 preset stations. When a station is stored, a preset number is assigned to the station. Use the preset number to tune in to a preset station directly.

1 Press TUNER/BAND to select a band, and press ◀◀ DOWN or ▶▶ UP to select a station.

2 Press ■ SET to store the station.

A preset number beginning from 1 in consecutive order for each band is assigned to the station.



3 Repeat steps 1 and 2.

The next station will not be stored if a total of 32 preset stations for all the bands have already been stored.

NOTE

"FULL" is displayed if you attempt to store more than 32 preset stations.

PRESET NUMBER TUNING

Use the remote control to select the preset number directly.

1 Press TUNER BAND to select a band.

2 Press numbered buttons 0-9 and +10 to select a preset number.

Example:

To select preset number 20, press **+10**, **+10** and **0**.

To select preset number 15, press **+10** and **5**.

Selecting a preset number on the main unit

Press **TUNER/BAND** to select a band. Then, press ◀▶ repeatedly or turn **MULTI JOG**.

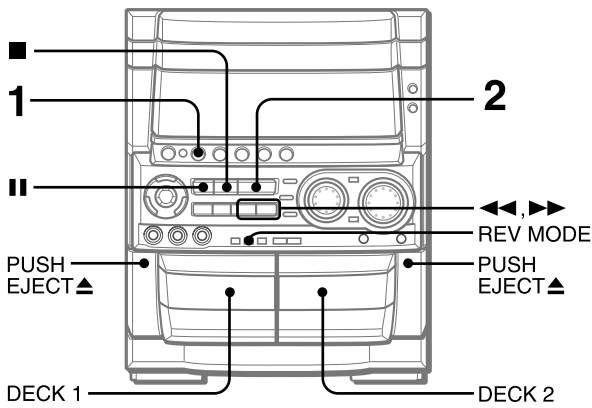
Each time ◀▶ is pressed, the next ascending number is selected.

To clear a preset station

Select the preset number of the station to be cleared. Then, press ■ **CLEAR**, and press ■ **SET** within 4 seconds.

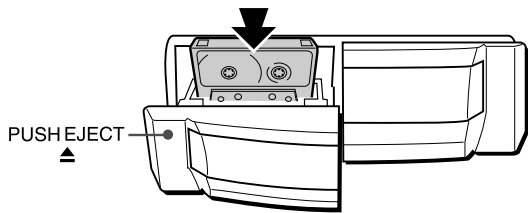
The preset numbers of all other stations in the band with higher numbers are also decreased by one.

BASIC OPERATIONS



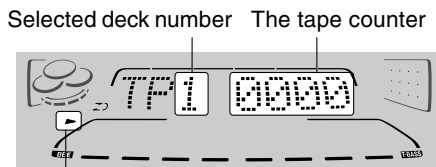
- On deck 1, tapes are always played back on both sides. On deck 2, you can select a reverse mode to play back one or both sides.
- Use Type I (normal), Type II (high/CrO₂) or Type IV (metal) tapes for playback.

1 Press TAPE/DECK 1/2 and press PUSH EJECT ▲ to open the cassette holder.



Insert a tape with the exposed side down. Push the cassette holder to close.

2 Press ◀▶ to start play.

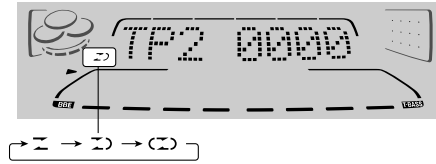


Playback side indicator

- ▶: The front side is being played (forward).
- ◀: The back side is being played (reverse).

To select a reverse mode (deck 2 only)

Each time **REV MODE** is pressed, the reverse mode changes.



- To play one side only, select ◀.
- To play from front side to reverse side once only, select ▶.
- To play both sides repeatedly, select ◀▶.
- When tapes are loaded in both decks, ◀▶ on the display indicates Continuous Play.

To select a playing deck

When tapes are loaded in both decks, press **TAPE/DECK 1/2** first to select a deck. The selected deck number is displayed.

To stop play, press ■.

To pause play (deck 2 only), press **II**. To resume play, press again.

To change the playback side, press ◀▶ in play or pause mode. **To fast forward or rewind**, press ◀◀ or ▶▶. Then press ■ to stop the tape.

To start play when the power is off (Direct Play Function)

Press **TAPE/DECK 1/2**. The power is turned on and play of the inserted tape begins.

To set the tape counter to 0000

Press **■ CLEAR** in stop mode. The counter is also set to 0000 when the cassette holder is opened and closed.

MUSIC SENSOR

If there is a 4-second or longer blank between each track, a search for the beginning of the current or next track during playback can be done easily.

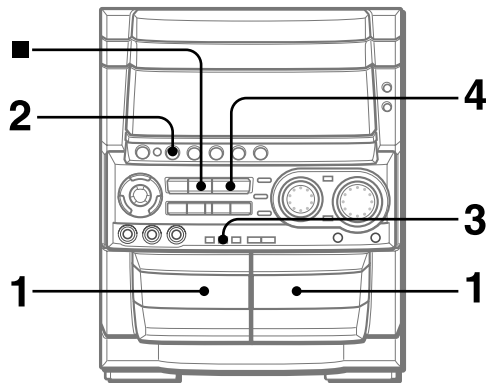
Press ◀◀ or ▶▶ during playback referring to the playback side indicator (◀ or ▶) on the display.

For example, when ▶▶ is pressed while ▶ is displayed, playback of the next track starts.

Music sensor function may not be able to detect tracks under the following conditions:

- Blanks of less than 4 seconds between tracks
- Noisy blanks
- Long passages of low-end sound
- Low overall recording levels

CONTINUOUS PLAY

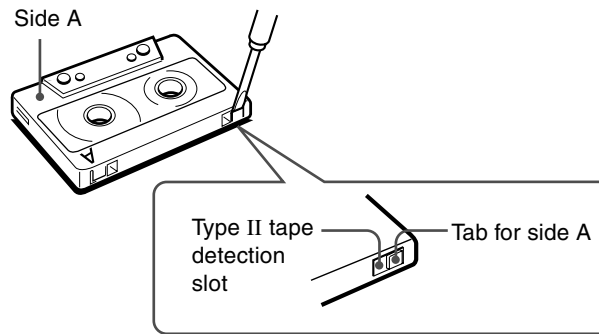


After playback on one deck finishes, the tape in the other deck will start to play without interruption.

- 1 Insert tapes into deck 1 and deck 2.**
- 2 Press TAPE/DECK1/2 to select the deck to be played back first.**
- 3 Press REV MODE to select ⏮).**
- 4 Press ◀▶ to start playback.**
Playback continues until ■ is pressed.

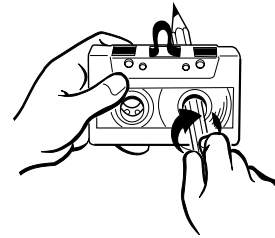
About cassette tapes

- **To prevent accidental erasure**, break off the plastic tabs on the cassette tape after recording with a screwdriver or other pointed tool.

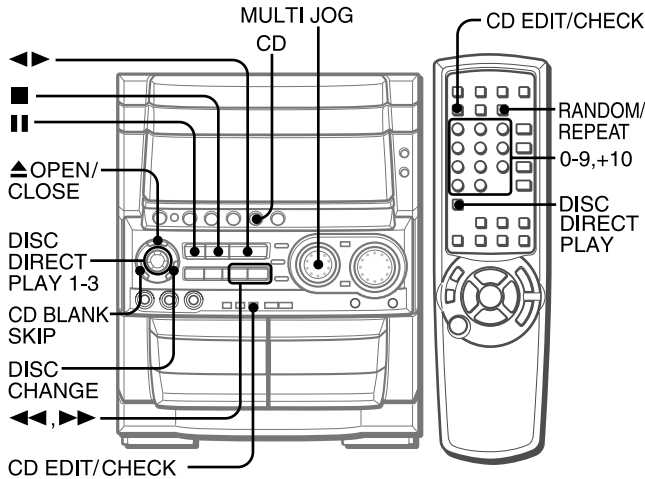


To record on the tape again, cover the tab openings with adhesive tape, etc. (On Type II tapes, take care not to cover the Type II tape detection slot.)

- **120-minute or longer tapes** are extremely thin and easily deformed or damaged. They are not recommended.
- **Take up any slack in the tape** with a pencil or similar tool before use. Slack tape may break or jam in the mechanism.



BASIC OPERATIONS



To play one disc only, press DISC DIRECT PLAY 1-3.
The selected disc is played once.

To stop play, press ■.
To pause play, press II. To resume play, press again.
To search for a particular point during playback, keep ◀◀ or ▶▶ pressed and release it at the desired point.
To skip to the beginning of a track during playback, press ◀◀ or ▶▶ repeatedly or turn MULTI JOG.
To remove discs, press ▲ OPEN/CLOSE.

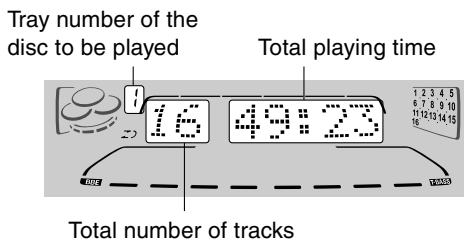
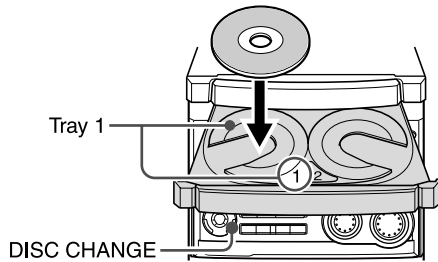
To start play when the power is off (Direct Play Function)
Press CD. The power is turned on and play of the loaded disc(s) begins.
When ▲ OPEN/CLOSE is pressed, the power is also turned on and the disc compartment is opened.

To check the remaining time
During play (except random play or programmed play), press CD EDIT/CHECK. The amount of time remaining until all tracks finish playing is displayed. To restore the playing time display, repeat the above.

LOADING DISCS

Press CD, then press ▲ OPEN/CLOSE to open the disc compartment. Load disc(s) with the label side up.

To play one or two discs, place the discs on tray 1 and 2.
To play three discs, press DISC CHANGE to rotate the trays after placing two discs. Place the third disc on tray 3.
 Close the disc compartment by pressing ▲ OPEN/CLOSE.



Selecting a track with the remote control

- 1 Press DISC DIRECT PLAY and within 3 seconds press 1, 2 or 3 to select a disc.
- 2 Press numbered buttons 0-9 and +10 to select a track.
 Example:
 To select the 25th track, press +10, +10 and 5.
 To select the 10th track, press +10 and 0.
 The selected track starts to play and continues to the end of that disc.

Replacing discs during play

- While one disc is playing, the other discs can be replaced without interrupting play.
- 1 Press DISC CHANGE.
 - 2 Remove the discs and replace with other discs.
 - 3 Press ▲ OPEN/CLOSE to close the disc compartment.

NOTE

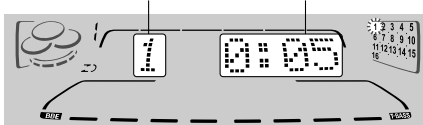
- When loading an 8-cm (3-inch) disc, put it onto the inner circle of the tray.
- Do not place more than one compact disc on one disc tray.
- Do not tilt the unit with discs loaded. Doing so may cause malfunctions.
- Do not use irregular shape CDs (example: heart-shaped, octagonal ones). It may result in malfunctions.
- The unit may not play a CD-R/RW disc that is recorded on personal computers or some kinds of CD-R/RW recorders because of differences in recording platforms.
- Do not attach any seal or label to either side (the recordable side or the labeled side) of a CD-R/RW disc. It may cause malfunction.

PLAYING DISCS

Load discs.

To play all discs in the disc compartment, press ◀▶.
Play begins with the disc on tray 1.

Number of track being played Elapsed playing time



RANDOM/REPEAT PLAY

Use the remote control.

RANDOM play

All the tracks on the selected disc or all the discs can be played randomly.


REPEAT play


A single disc or all the discs can be played repeatedly.

Press RANDOM/REPEAT.

Each time it is pressed, the function can be selected cyclically.

RANDOM play — RANDOM lights up on the display.

REPEAT play —  lights up on the display.


RANDOM/REPEAT play — RANDOM and  light up on the display.

Cancel — RANDOM and  disappear from the display.

To play all discs, press  to start play.

To play a single disc, press **DISC DIRECT PLAY** and within 3 seconds press 1, 2 or 3 to start play.


NOTE

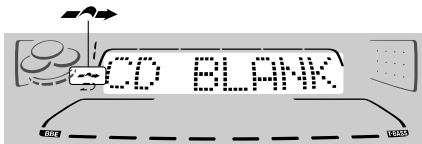
During random play it is not possible to skip to the previously played track with .

BLANK SKIP PLAY

The silent portions between tracks recorded on a CD can be skipped during playback.

1 Press CD BLANK SKIP.


"CD BLANK SKIP ON" is displayed and  appears in the display.



2 Press to start playback.

The silent portions between tracks will be skipped, and the sound will be played back without interruption. If a track fades out (ends with the sound gradually decreasing), the fadeout portion also will be skipped.

To return to normal playback

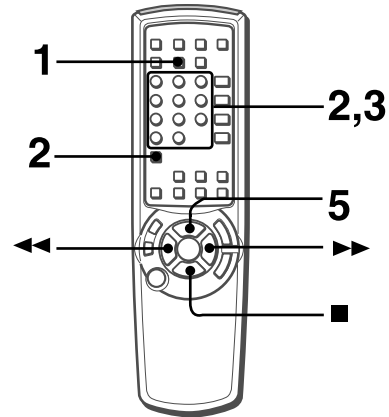
Press **CD BLANK SKIP** again, and "CD BLANK SKIP OFF" is displayed and  in the display disappears.

NOTE

- There may be a case where BLANK SKIP PLAY does not function correctly.
- BLANK SKIP PLAY is automatically canceled when performing AI EDIT RECORDING (page 19), PROGRAMMED EDIT RECORDING (page 20), or recording during PROGRAMMED PLAY (below) or RANDOM PLAY (above).

PROGRAMMED PLAY

Up to 30 tracks can be programmed from any of the inserted discs.



Use the remote control.

1 Press PRGM twice in stop mode.

"PRGM" is displayed.



- When PRGM is pressed once in step 1, the unit enters the KARAOKE PROGRAM (page 24).

2 Press DISC DIRECT PLAY and within 3 seconds press 1, 2 or 3 to select a disc.

Go to the next step when the tray stops rotating.

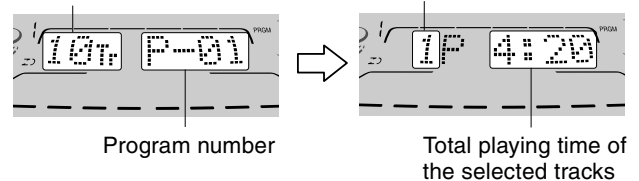
3 Press numbered buttons 0-9 and +10 to program a track.

Example:

To select the 25th track, press +10, +10 and 5.

To select the 10th track, press +10 and 0.



Selected track number Total number of selected tracks



4 Repeat steps 2 and 3 to program other tracks.

5 Press to start play.

To check the program

Each time  or  is pressed in stop mode, a disc number, track number, and program number will be displayed.

To clear the program

Press  CLEAR in stop mode.

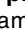
To add tracks to the program

Repeat steps 2 and 3 in stop mode. The track will be programmed after the last track.

To change the programmed tracks

Clear the program and repeat all the steps again.

To play the programmed tracks repeatedly

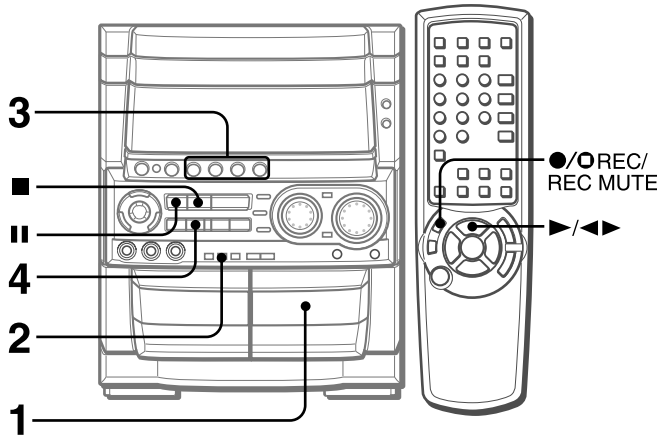
After programming the tracks, press **RANDOM/REPEAT** repeatedly until  appears on the display.

NOTE

- During programmed play, you cannot perform random play, check the remaining time, and select a disc or track. "Can't USE" is displayed if you attempt to select a track.
- "FULL" is displayed if you attempt to program more than 30 tracks.

BASIC RECORDING

This section explains how to record from the tuner, CD player, or external equipment.

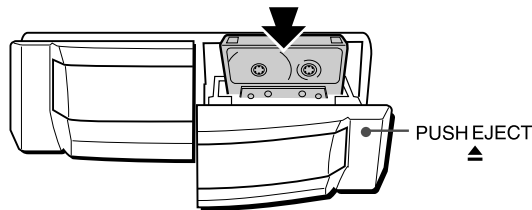


Preparation

- Use Type I (normal) and Type II (high/CrO₂) tapes for recording.
- Set the tape to the point where recording will start.

1 Insert the tape to be recorded on into deck 2.

Insert the tape with the side to be recorded on first facing out from the unit.



2 Press REV MODE to select the reverse mode.

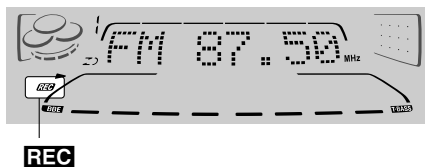
To record on one side only, select $\overleftarrow{\text{R}}$.
To record on both sides, select $\overleftarrow{\text{R}}$ or $\overrightarrow{\text{R}}$.

3 Press function (TUNER/BAND, VIDEO/AUX/5.1CH, CD or MD) and prepare the source to be recorded.

To record from a CD, press **CD** and load the disc(s).
To record from a radio broadcast, press **TUNER/BAND** and tune in to a station.
To record from a connected source, press **VIDEO/AUX/5.1CH** or **MD**.

4 Press ● REC/REC MUTE to start recording.

When recording from a connected source, start playback of the source.



When the selected function is CD, playback and recording start simultaneously.

To stop recording, press ■.

To pause recording, press ||. (Applicable when the source is TUNER, VIDEO/AUX/5.1CH or MD) To resume recording, press it again.

To start recording with the remote control

First press ●/O **REC/REC MUTE**, and then press ►/◄ within 2 seconds.

Sound adjustment during recording

The **VOLUME** control has no effect on recording, while the **BBE** affects recording.

NOTE

When recording an externally connected source via the VIDEO/AUX or the MD jacks, the small dot near the “(C)” lights up continuously in the display if the input level is too high. In this case, stop recording and adjust the input level until the dot lights intermittently (page 28).

INSERTING BLANK SPACES

Insertion of 4-second blank spaces enables you to activate the Music Sensor function. (Applicable when the source is TUNER/BAND, VIDEO/AUX/5.1CH or MD.)

1 Press ● REC/REC MUTE during recording or while in recording pause mode.

REC on the display flashes for 4 seconds and 4-second blank space is made. Then, the deck enters the recording pause mode.

2 Press || to resume recording.

To insert a blank space of less than 4 seconds, press ● **REC/REC MUTE** again while **REC** is flashing.

To insert blank spaces of more than 4 seconds, after the deck enters recording pause mode, press ● **REC/REC MUTE** again. Each time the button is pressed, a 4-second blank space is added.

NOTE

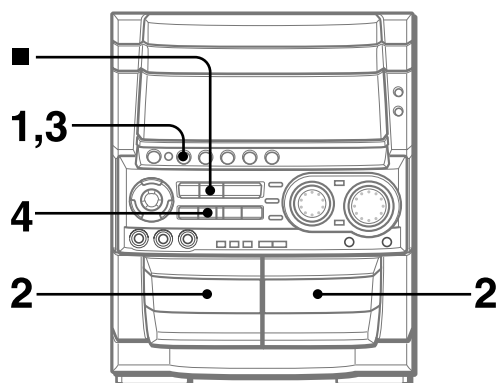
“Can’t REC” is displayed if you attempt to record on a tape with the plastic tabs broken off.

To erase a recording

Make sure the microphone is not connected to this unit. Set the microphone volume and the echo level to OFF (page 23).

- 1 Insert the tape to be erased into deck 2 and press **TAPE/DECK 1/2** to display “TP 2”.
- 2 Set the tape to the point where the erasure is to be started.
- 3 Set the reverse mode by pressing **REV MODE**.
- 4 Press ● **REC/REC MUTE** to start the erasure.

DUBBING A TAPE MANUALLY



NOTE

- Set the tape to the point where recording will start.
- The reverse mode is automatically set to Σ .
Note that recording will be done on one side of the tape only.

1 Press TAPE/DECK 1/2.

2 Insert the original tape into deck 1 and the tape to be recorded on into deck 2.

Insert the tapes with the sides to be played back or recorded on facing out from the unit.

3 Press TAPE/DECK 1/2 to select deck 1.

"TP 1" is displayed.

4 Press \bullet REC/REC MUTE to start recording.

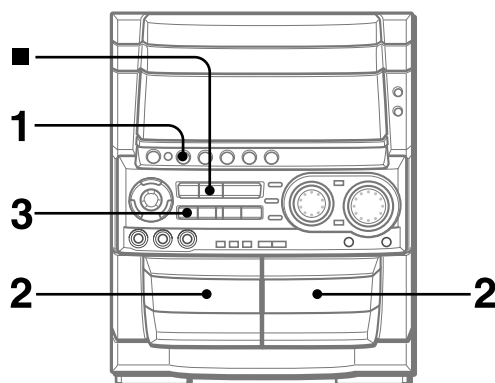
Playing and recording start simultaneously.



To stop dubbing

Press \blacksquare .

DUBBING THE WHOLE TAPE



This function allows you to make exact copies of both sides of the original tape. The reverse side of both tapes will start simultaneously as soon as the longer tape has been reversed.

NOTE

- Dubbing does not start from a point halfway in the tape.
- The reverse mode is automatically set to Σ .

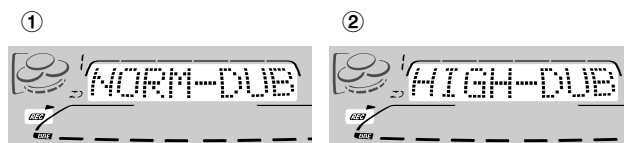
1 Press TAPE/DECK 1/2.

2 Insert the original tape into deck 1 and the tape to be recorded on into deck 2.

Insert each tape with the side to be played back or recorded on facing out from the unit.

3 Press SYNC DUB once or twice to start recording.

- ① For recording at normal speed, press it once to display NORM-DUB.
- ② For recording at high speed, press it twice to display HIGH-DUB.



The tapes are rewound to the beginning of the front sides, and recording starts.

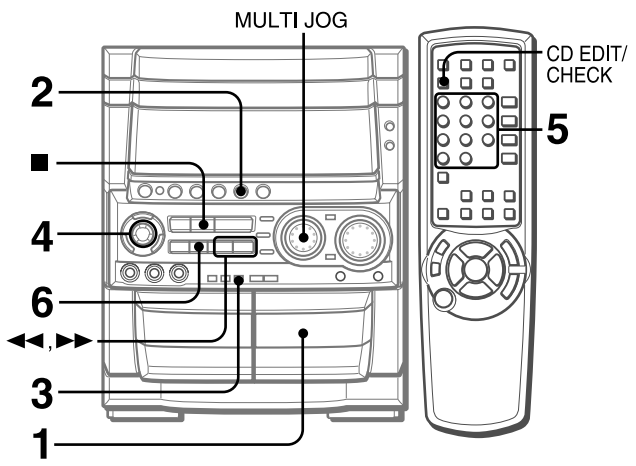
To stop dubbing

Press \blacksquare .

NOTE

Recording does not start if the erasure prevention tab on either side of the tape is broken off.

AI EDIT RECORDING



The AI edit recording function enables CD recording without worrying about tape length and track length. When a CD is inserted, the unit automatically calculates the total track length. If necessary, the order of tracks is rearranged so that no track is cut short.
(AI: Artificial Intelligence)

NOTE

AI edit recording will not start from a point halfway into the tape. The tape must be recorded from the beginning of either side.

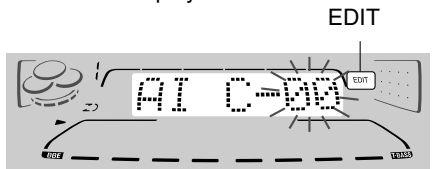
1 Insert the tape into deck 2.

Insert the tape with the side to be recorded on first facing out from the unit.

2 Press CD and load the disc(s).

3 Press CD EDIT/CHECK once.

"EDIT" and "AI" are displayed.

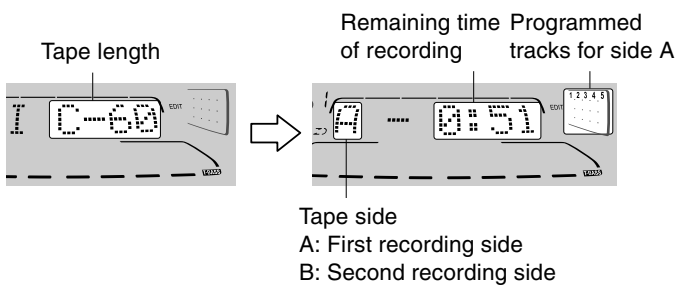


• When "PRGM" is displayed, press CD EDIT/CHECK.

4 Press DISC DIRECT PLAY 1-3 to select a disc.

5 Press numbered buttons 0-9 on the remote control to designate the tape length.

10 to 99 minutes can be specified.
Example: When using a 60-minute tape, press 6 and 0.
In a few seconds, the tracks to be recorded on each side of the tape are determined.
• ◀◀, ▶▶ or MULTI JOG are also available to designate the tape length.



6 Press ● REC/REC MUTE to start recording on the first side.

The tape is rewound to the beginning of the front side, the lead segment is played through for 10 seconds, and recording starts. When recording on the front (side A) ends, recording on the back (side B) starts.

To stop recording

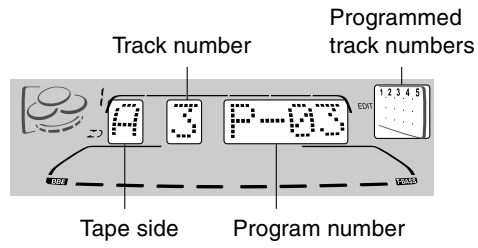
Press ■. Recording and CD play stop simultaneously.

To clear the edit program

Press ■ CLEAR twice so that "EDIT" disappears on the display.

To check the order of the programmed track numbers

Before recording, press CD EDIT/CHECK to select side A or B, and press ◀◀ or ▶▶ repeatedly.



To add tracks from other discs to the edit program

If there is any time remaining on the tape after step 5, you can add tracks from other discs in the CD compartment.

- 1 Press CD EDIT/CHECK to select side A or B.
- 2 Press DISC DIRECT PLAY 1-3 to select a disc.
- 3 Press numbered buttons on the remote control to select tracks.
A track whose playing time is longer than the remaining time cannot be programmed.
- 4 Repeat steps 2 and 3 to add more tracks.

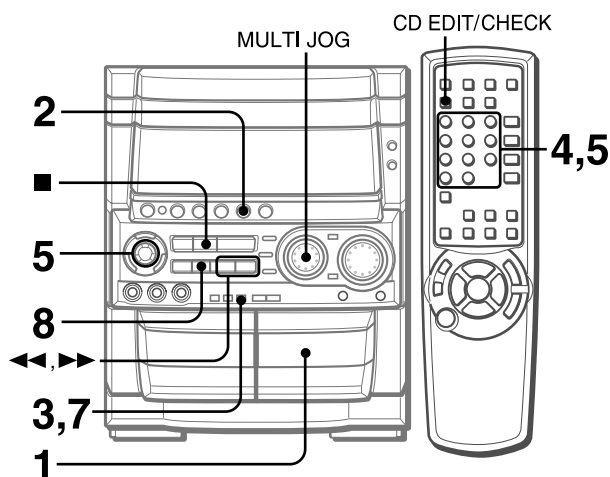
Time on cassette tapes and editing time

The actual cassette recording time is usually a little longer than the specified recording time printed on the label. This unit can program tracks to use the extra time. When the total recording time is a little longer than the tape's specified recording time after editing, the display shows the extra time (without a minus mark), instead of the time remaining on the tape (with the minus mark).

NOTE

- The AI edit recording function cannot be used with discs containing 31 tracks or more. "TR OVER" is displayed if this is attempted.
- Recording is inhibited if the erasure prevention tab on either side of the tape is broken off.

PROGRAMMED EDIT RECORDING



In the programmed edit recording function the tracks can be programmed while checking the remaining time on each side of the tape.

NOTE

The programmed edit recording will not start from a point halfway in the tape. The tape must be recorded on from the beginning of either side.

1 Insert the tape into deck 2.

Insert the tape with the side to be recorded on first facing out from the unit.

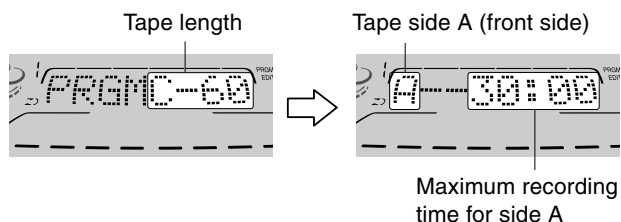
2 Press CD and load the disc(s).

3 Press CD EDIT/CHECK twice.

"EDIT" and "PRGM" are displayed.
• When "AI" is displayed, press **CD EDIT/CHECK** again.

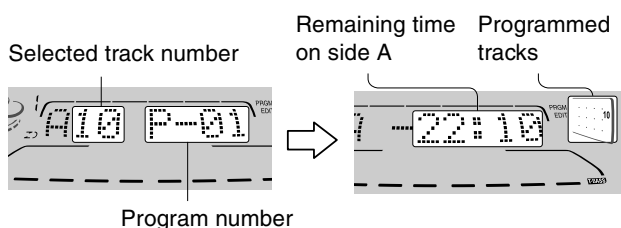
4 Press numbered buttons on the remote control to designate the tape length.

10 to 99 minutes can be specified.
• The **◀▶**, **▶▶** or **MULTI JOG** are also available to designate the tape length.



5 Press DISC DIRECT PLAY 1-3 to select a disc. Then, press numbered buttons 0-9 and +10 on the remote control to program a track.

Example: To select the 10th track of disc 2, press **DISC DIRECT PLAY 2**, then press **+10** and **0**.



6 Repeat step 5 for the rest of the tracks for side A.

A track whose playing time is longer than the remaining time cannot be programmed.

7 Press CD EDIT/CHECK to select side B and program the tracks for side B.

After confirming "B" on the display, repeat step 5.

Tape side B (reverse side)



8 Press ●REC/REC MUTE to start recording.

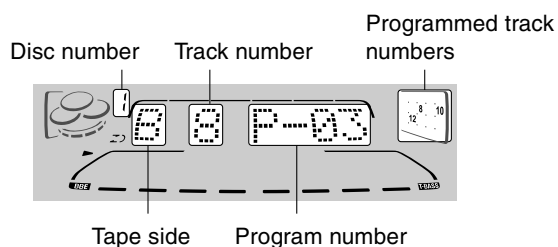
The tape is rewound to the beginning of the front side, the lead segment is played through for 10 seconds, and recording starts. When recording on the front side (A) ends, recording on the back side (B) starts.

To stop recording

Press **■**. Recording and CD play stop simultaneously.

To check the order of the programmed track numbers

Before recording, press **CD EDIT/CHECK** to select side A or B, and press **◀▶** or **▶▶** repeatedly.



To change the program of each side

Press **CD EDIT/CHECK** to select side A or B, and press **■ CLEAR** to clear the program on the selected side. Then program tracks again.

To clear the edit program

Press **■ CLEAR** twice so that "EDIT" disappears on the display.

NOTE


- Up to 30 tracks can be programmed from any of the inserted discs.
- "FULL" is displayed if you attempt to program more than 30 tracks.
- Recording is inhibited if the erasure prevention tab on either side of the tape is broken off.

DOLBY PRO LOGIC

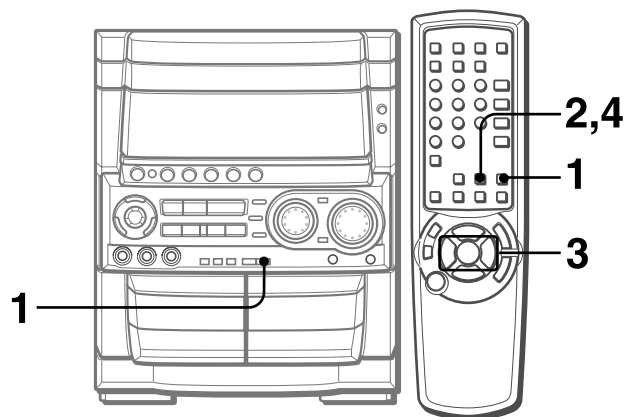
The DOLBY PRO LOGIC feature and the center and rear speakers (standard) assure full-scale home theater sound. When playing back laser discs or video software that have been recorded in Dolby Surround, astonishingly realistic sound surrounds the listener to create a new level of audio/visual entertainment.

Independent control of the five sound channels allows the listener to enjoy the same type of sound reproduction experienced in movie theaters. Voices are reproduced in the front and center sound field, while ambient sounds like cars and crowds are reproduced on all sides of the listener for an incredibly lifelike audio/video experience. Please read the following carefully to "tune" the system's output to match the characteristics of your listening space.

Check the following:

- Before using the DOLBY PRO LOGIC, adjust the proper balance of speaker sound levels.
- Make sure the supplied speakers are properly connected and positioned. (See pages 4 and 5)
- Make sure the TV set and video unit are properly connected. (See pages 4 and 5)
- Make sure the laser disc, video tape, etc., support .

ADJUSTING SPEAKER LEVEL BALANCE



The unit is equipped with a built-in test signal generator called a noise sequencer for easy balance adjustment of all 5 channels. The sequencer outputs a noise signal that "travels" from channel to channel, enabling the simple adjustment of sound level to achieve, at the listening position, the same apparent loudness from each channel.

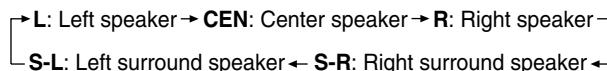
Use the remote control.

- 1 Press **DOLBY PRO LOGIC** to select "NORMAL".
"NORMAL" is displayed.
If "PHANTOM" or "3 STEREO" is displayed, press **DOLBY PRO LOGIC** repeatedly until "NORMAL" is selected.

- 2 Press **MANUAL SELECT** and hold it down for about 4 seconds until "L" flashes.



A noise signal is sent to each channel in turn in the following sequence.



- 3 Adjust the sound level of the center and the surround speakers.

While "CEN" "S-R" or "S-L" is displayed, press **◀ DOWN** or **▶ UP** to adjust the volume of the center or each surround speaker to match the level of the front speakers.



To adjust the balance between the left and right front speakers, see page 9. At this time, the DOLBY PRO LOGIC mode should be canceled by pressing **DOLBY PRO LOGIC** until the "OFF" is displayed.

- 4 Press **MANUAL SELECT** again to stop the noise signal.

NOTE

- If the surround speakers or the center speaker level of the DOLBY PRO LOGIC is changed, that of the DSP SURROUND system (page 11) and the DOLBY DIGITAL SURROUND (page 29) is also changed.
- While "S-L" or "S-R" is displayed, both surround speakers output the noise signal together. However, only the sound level of one surround speaker displayed as "S-L" or "S-R" can be adjusted.
- When the sequencer outputs a noise signal, a clicking sound might be heard from the speakers due to the characteristics of the circuit. This is not malfunction.

About the channels

The left and right front speakers create the stereo effect.

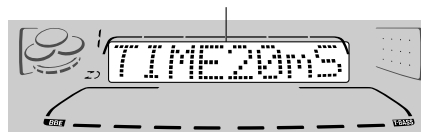
The center speaker helps achieve precise sound positioning over a broad sound field.

The rear-mounted surround speakers enhance the "depth" of the sound field.

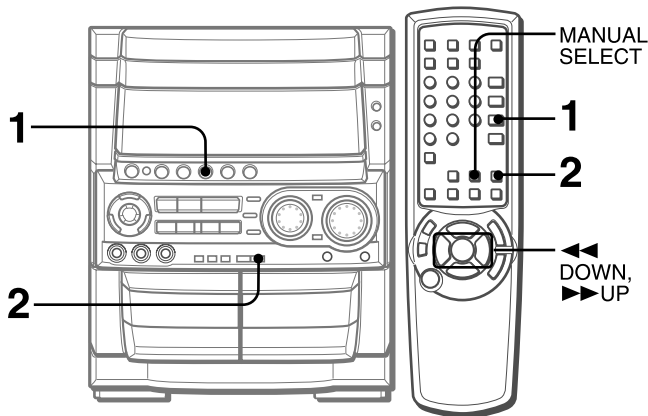
To change the delay time

The surround speakers reproduce sounds a split second after the front speakers. The delay is initially set to 20 ms (milliseconds). To change this standard delay time, press **MANUAL SELECT** on the remote control repeatedly until "TIME" is displayed. Then, press **◀ DOWN** or **▶ UP**. Each time one of the buttons is pressed, the delay time changes as shown below.

15 mS ↔ 20 mS ↔ 30 mS



PLAY WITH DOLBY PRO LOGIC



1 Press VIDEO/AUX/5.1CH and start playback of the video source.

"VIDEO" is displayed.

If "5.1 ch IN" is displayed, press VIDEO/AUX/5.1CH again.

2 Press DOLBY PRO LOGIC.

"NORMAL" is selected, and the playback sound has the DOLBY PRO LOGIC effect.

To cancel Dolby Pro Logic mode

Press DOLBY PRO LOGIC repeatedly until "OFF" is displayed.

To change the sound levels during playback

After adjusting the balance with the noise sequencer, the sound levels of the center or each surround speaker can be adjusted during playback of laser discs or video software.

- 1 Press **MANUAL SELECT** on the remote control repeatedly to select "CEN" (center speaker), "S-L" (Left surround speaker) or "S-R" (Right surround speaker).
- 2 While the "CEN" "S-L" or "S-R" is displayed, press ◀◀ **DOWN** or ▶▶ **UP** on the remote control to adjust the volume.

ADDITIONAL DOLBY PRO LOGIC MODES

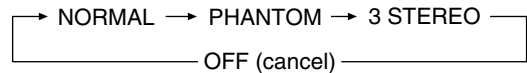
In addition to the NORMAL mode, this unit is also equipped with the PHANTOM and the 3 STEREO modes.

PHANTOM mode: Use this mode when no center speaker is connected. The center channel signals are output through the left and right speakers.

3 STEREO mode: Use this mode when no surround speakers are connected. This mode reproduces rear sounds through the front speakers.

To select PHANTOM or 3 STEREO

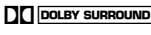
Press **DOLBY PRO LOGIC** repeatedly until the desired DOLBY PRO LOGIC mode is displayed. The DOLBY PRO LOGIC mode is displayed cyclically as follows.



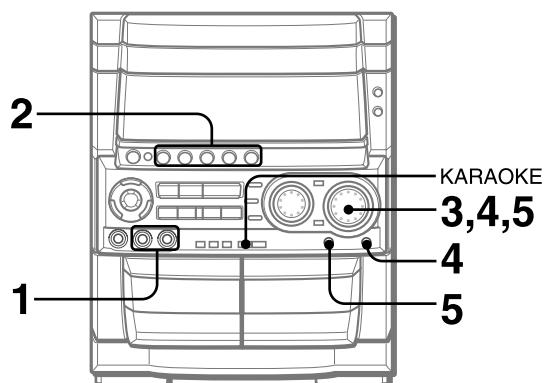
To adjust the balance of connected speaker sound levels

Carry out steps 2 to 4 of "ADJUSTING SPEAKER LEVEL BALANCE".

NOTE

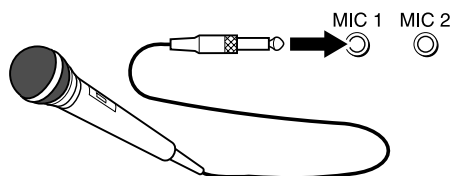
- Depending on the sound source and/or listening conditions, a surround effect may not be obtained even when the DOLBY PRO LOGIC is on.
- The full DOLBY PRO LOGIC effect cannot be obtained when using software without  mark. In this case, use the DSP SURROUND system instead. (See page 11.)
- The DOLBY PRO LOGIC is automatically canceled when:
 - the ECHO level is changed.
 - the DSP SURROUND system or the BBE is turned on.
 - the headphones are plugged in.
 - the Karaoke function is turned on.
 - the 5.1 CH (page 29) is selected.
- Set the microphone volume to OFF while the DOLBY PRO LOGIC is on. Otherwise, the DOLBY PRO LOGIC sound cannot be reproduced correctly.

MICROPHONE MIXING



Two microphones (not supplied) can be connected to this unit, allowing you to sing along to music sources. Use microphones with standard plugs (ø6.3 mm, 1/4 inch).

1 Connect your microphones to MIC 1 and MIC 2 jacks.



2 Press one of the function buttons to select the source to be mixed, and play the source.

3 Adjust the volume and tone of the source.

4 Press MIC and turn VOLUME within 4 seconds to adjust the microphone volume.

The microphone volume can be selected from 1 to MAX (7) or OFF (cancel).
The volume of both microphones is adjusted simultaneously.

5 Press ECHO and turn VOLUME within 4 seconds to adjust the echo level.

The echo level can be selected from 1 to MAX (7) or OFF (cancel).

To change the delay time of echo

Hold down **ECHO** while the echo is on. "L" (Long) and "M" (Middle) are displayed alternately. At the desired position, release the button.

To record microphone sound mixed with source sound

Follow the procedure for recording from the sound source (see page 17).
SYNC DUB cannot be used for mixing recording.

When not using the microphones

Set the microphone volume and echo level to OFF and remove the microphones from **MIC** jacks.

NOTE

- When the ECHO level is changed, the DSP SURROUND mode and the DOLBY PRO LOGIC are automatically canceled.
- When the MIC or ECHO is turned on while the 5.1 CH (page 29) is selected, the 5.1 CH is changed to VIDEO.
- If a microphone is held too near the speakers, a howling sound may be produced. In this case, hold the microphone away from the speakers, or decrease the microphone volume.
- If sound through the microphone is extremely loud, it may be distorted. In this case, decrease the microphone volume.

- When the function is changed, the microphone volume and the echo volume are set to off.

Recommended microphones

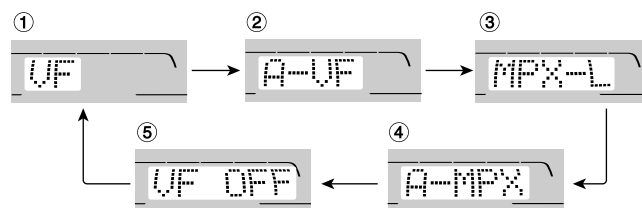
The use of unidirectional type microphones is recommended to prevent howling. Contact your local Aiwa dealer for details.

VOCAL FADER/MULTIPLEX FUNCTIONS

This unit can use discs or tapes as Karaoke sources. Use the vocal fader function for ordinary discs or tapes. Use the multiplex function for multi audio discs or tapes.

Press KARAOKE repeatedly to select the vocal fader or multiplex function.

Each time **KARAOKE** is pressed, one of these functions is selected cyclically.



- 1 Vocal Fader**
The singer's voice becomes softer than the accompaniment.
- 2 Auto Vocal Fader**
The singer's voice becomes softer only while there is audio input through a microphone.
- 3 Multiplex**
Only the sound on the left channel is heard from both speakers, and the sound on the right channel is muted.
- 4 Auto Multiplex**
The sound on the left channel is heard from both speakers, and the sound on the right channel is muted only while there is audio input through a microphone.
- 5 Cancel**

To change the time lag setting in Auto Vocal Fader or Auto Multiplex function

The muted singer's voice can be restored faster. When Auto Vocal Fader or Auto Multiplex is selected, "A-VF" or "A-MPX" is displayed for 3 seconds and changes to the selected function name. After the selected function name is displayed, keep pressing KARAOKE until FAST is displayed. To return to the initial setting, select SLOW. When the power is turned off, SLOW is restored.

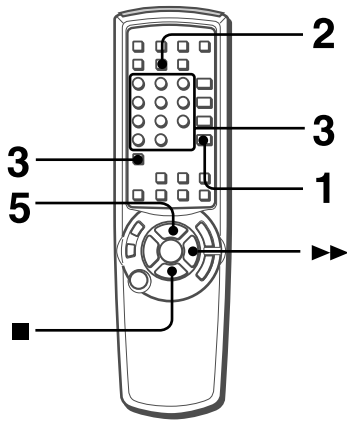
To change the audible channel in Multiplex function

When Multiplex is selected, "MPX -L" is displayed for 3 seconds and changes to the selected function name. After the selected function name is displayed, keep pressing KARAOKE until MPX-R is displayed. To return to the initial setting, select MPX-L. When the power is turned off, MPX-L is restored.

NOTE

- The Karaoke functions may not operate correctly with the following kinds of CDs or tapes.
 - Those with monaural sound
 - Those recorded with strong echoes
 - Those with the vocal part recorded on the right or left side of the sound width
- While the Karaoke function is on, the sound is output as monaural.
- When the function is changed, the Karaoke function is canceled.

KARAOKE PROGRAM

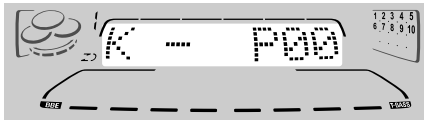


Before or during CD play, you can reserve up to 15 tracks to be played after the current track. Each reservation is cleared when it finishes playing.

Use the remote control.

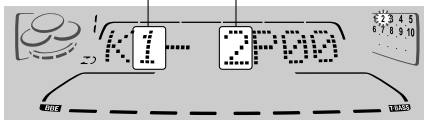
1 Press CD and load the discs.

2 Press PRGM once.



3 Press DISC DIRECT PLAY and within 3 seconds press 1, 2 or 3 to select a disc . Then, press numbered buttons 0-9 and +10 to program a track.

Reserved disc number Reserved track number

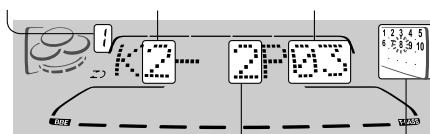


4 Repeat step 3 to reserve other tracks.

5 Press ◀▶ to start play.

After a track is played, it is cleared from the program.

Currently playing disc Disc number of the last reservation Number of remaining reserved tracks



Track number of the last reservation Currently playing track number flashes

To add a reservation during play

Repeat step 3.

To check the reserved tracks

Press **CD EDIT/CHECK** repeatedly. Each time it is pressed, the disc number and track number are displayed in the reserved order.

To stop play

Press **■**.

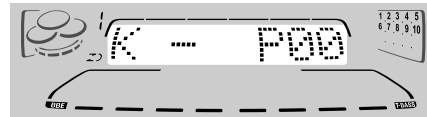
When **◀▶** is pressed, the play starts from the last track again.

To skip a current track

Press **▶▶**. The skipped track is cleared from the program.

To clear all the reservations

Press **▶▶** repeatedly until "K - P00" is displayed.

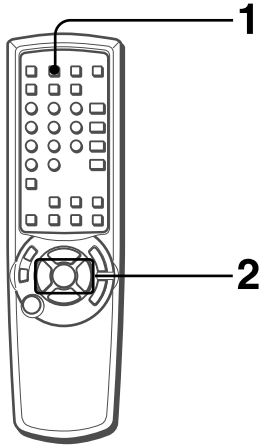


Press it once more to cancel the Karaoke programs. The display returns to that of CD play.

NOTE

- If the reserved track number does not exist on the selected disc, the unit stops playing and the display flashes. In this case, press **▶▶** to skip the error track. Then press **◀▶** to start play with the next reserved track.
- When **PRGM** is pressed repeatedly in step 2, "PRGM" is displayed and the unit enters CD program play mode (page 16). To cancel program play, press **■ CLEAR**.

SETTING THE SLEEP TIMER



The unit can be turned off automatically at a specified time.

Use the remote control.

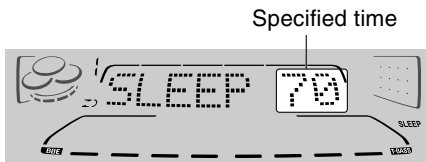
1 Press SLEEP.



2 Within 4 seconds, press ◀◀ DOWN or ▶▶ UP to specify the time until the power is turned off.

The time changes between 5 and 240 minutes in 5-minute steps.

MULTI JOG is also available in place of ◀◀ or ▶▶.

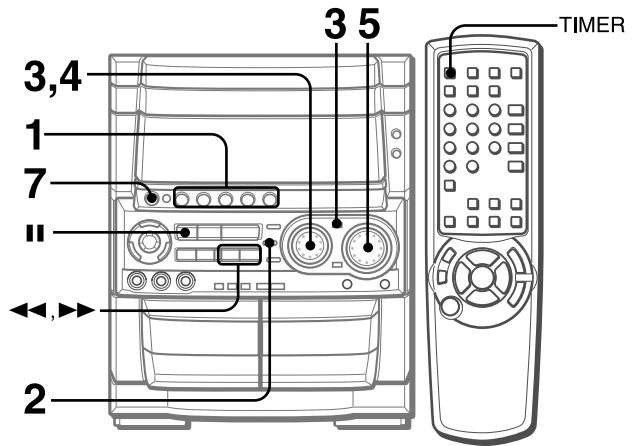


To check the time remaining until the power is turned off
Press SLEEP once. The remaining time is displayed for 4 seconds.

To cancel the sleep timer

Press SLEEP twice so that "SLEEP OFF" appears on the display.

SETTING THE TIMER



The unit can be turned on at a specified time every day with the built-in timer.

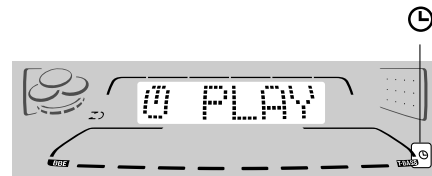
Preparation

Make sure the clock is set correctly.

1 Press one of the function buttons to select a source.

2 Press TIMER repeatedly until ⌚ appears on the display.

Time and audio source name flash alternately.



3 Within 6 seconds, turn MULTI JOG to designate the timer-on time, then press ENTER or II.

Turning MULTI JOG changes both the hour and the minute.

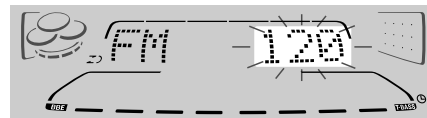
◀◀ or ▶▶ is also available in place of MULTI JOG. Holding these buttons down will vary the time rapidly.



4 Within 4 seconds, turn MULTI JOG to select the duration for the timer-activated period.

The duration can be set between 5 and 240 minutes in 5-minute steps.

◀◀ or ▶▶ is also available in place of MULTI JOG.



The duration will be automatically set after 4 seconds. It will also be set if ENTER or II is pressed within 4 seconds after step 4.

5 Adjust the volume.

The source sound will play at the volume level set in this step when the power is turned on by the timer.

If the volume level is set to 21 or higher, however, it will automatically be set to 20 when the power is turned on.

6 Prepare the source.

To listen to a CD, load the disc to be played first on tray 1.

To listen to a tape, insert the tape into deck 1 or 2.

To listen to the radio, select the band and tune in to a station.

7 Press POWER to turn off the power.

When the timer-on time is reached, the unit turns on and begins play with the selected source.

NOTE

You can change the source that was selected in step 1 by pressing one of the function buttons before pressing **ENTER** or **II** in step 3.

To check the timer setting

Press **TIMER**.

The timer-on time, the selected source, and the duration for the timer-activated period will be displayed for 4 seconds.


To change any of the previous setting

Carry out from step 1.

However, if you do not change the timer-on time, in step 3 just press **ENTER** twice and continue from step 4.

To cancel the timer standby mode temporarily

Press **TIMER** repeatedly so that  disappears.

To restore the timer standby mode, press again to display .

Using the unit while the timer is set

You can use the unit normally after setting the timer.


Before turning off the power, carry out steps 5 and 6.

NOTE

- Timer playback and timer recording will not begin unless the power is turned off.
- Connected equipment cannot be turned on and off by the built-in timer of this unit. Use an external timer.

TIMER RECORDING

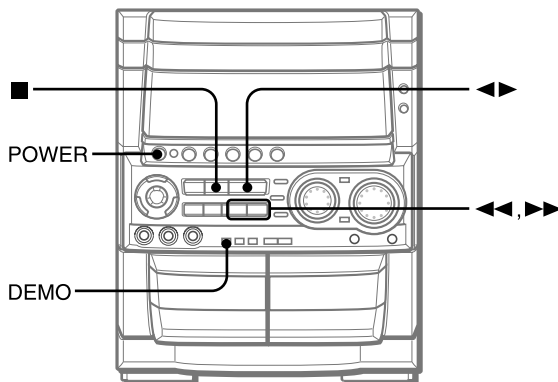
Timer recording is applicable for TUNER and VIDEO/AUX/5.1CH (with an external timer) sources only.

Press either **TUNER/BAND** or **VIDEO/AUX/5.1CH** to select a source, then **press TIMER repeatedly until  REC appears on the display. Within 6 seconds**, carry out the steps of "SETTING THE TIMER" from step 3 and insert the tape to be recorded on into deck 2 after step 6.

NOTE

- If the timer recording is done with the economizing mode (page 7) set to "ECO ON" or "ECO AUTO" and the power turns off, the dimmer mode will be set to dimmest and the volume level will be 0 (minimum level) the next time the power is turned on.
- You cannot use the timer function to record from a CD or tape.
- You can check the timer setting by pressing **TIMER** even while the power is off. In this case, if you press **ENTER** or **II** within 4 seconds after pressing **TIMER**, you can enter the timer setting mode and change the previous setting.

DEMO (Demonstration)



You can enjoy two kinds of DEMO modes on this unit. One is *demo*, the other one is *game demo*. In the demo mode, colorful illumination demonstrates in the display. In the game demo mode, you can play a game.

To switch the two modes to each other, press **POWER** while pressing **DEMO** when the power is off.

To play the game Demo

1 Press DEMO whether the unit is turned on or off, and whether the clock has been set or not.

2 Press ◀▶.

Three numbers on the display start to run.

3 Press ■ once.

The number on the left side stops.

4 Press ■ twice to stop the remaining two numbers.

Scoring:

20 points are given to start the game.

If all the numbers are equal, 50 points are added to the score.

If not equal, one point is subtracted.

If the gained points reach 9999, you win.

If the gained points fall to 0, you lose.

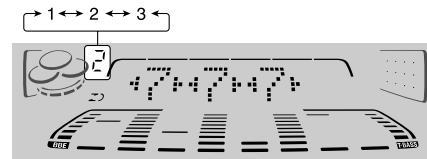
To cancel the game Demo

Press **DEMO**.

To reset the game Demo

Press **DEMO** twice.

To change the probability of equalizing the three numbers
Press ◀◀ or ▶▶ repeatedly to select one of the three probability levels when playing the game Demo. The tray number indicator in the display changes between 1 and 3. As the tray number increases from 1 to 3, the higher the probability of equalizing.

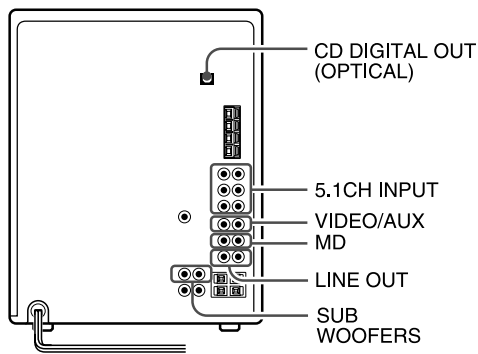


NOTE

- During playing the game Demo, ■, ◀◀, ▶▶ and ◀▶ are available only for the game Demo. Cancel the game Demo to use these buttons for the functions such as CD playing, etc.
- During the game Demo, some indicators unrelated with the actual operation light up on the display.
- DEMO is locked out during recording and is not operative.
- The game Demo is automatically canceled if the volume is adjusted while the unit is turned on.

OTHER CONNECTIONS

CONNECTING OPTIONAL EQUIPMENT



Refer to the operating instructions of the connected equipment for details.

- The connecting cords are not supplied. Obtain the necessary connecting cords.
- Consult your local Aiwa dealer for optional equipment.

VIDEO/AUX JACKS

This unit can input analog sound signals through these jacks. Use a cable with RCA phono plugs to connect audio equipment (turntables, LD players, MD players, VCRs, TV, etc.). Connect the red plug to the **VIDEO/AUX R** jack, and the white plug to the **VIDEO/AUX L** jack.

When connecting a turntable

Use an Aiwa turntable equipped with a built-in equalizer amplifier.

MD JACKS

This jack is recommended to connect with an MD player. Use a cable with RCA phono plugs. Connect the red plug to the **MD R** jack, and the white plug to the **MD L** jack.

LINE OUT JACKS

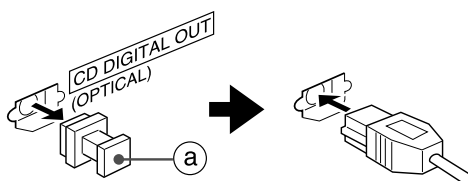
This unit can output analog sound signal through these jacks. Use a cable with RCA phono plugs to connect audio equipment with **LINE IN** (analog input) jacks. Connect the red plug of a cable to **LINE OUT R** jack, and the white plug to **LINE OUT L** jack.

NOTE

Do not connect an equipment to **LINE OUT** jacks and **VIDEO/AUX** jacks simultaneously. Otherwise, noise is generated and malfunction occurs.

CD DIGITAL OUT (OPTICAL) JACK

This unit can output CD digital sound signals through this jack. Use an optical cable to connect digital audio equipment (DAT deck, MD recorder, etc.). Remove the dust cap **(a)** from the **CD DIGITAL OUT (OPTICAL)** jack. Then, connect an optical cable plug to the **CD DIGITAL OUT (OPTICAL)** jack.



When the CD DIGITAL OUT (OPTICAL) jack is not being used

Attach the supplied dust cap.

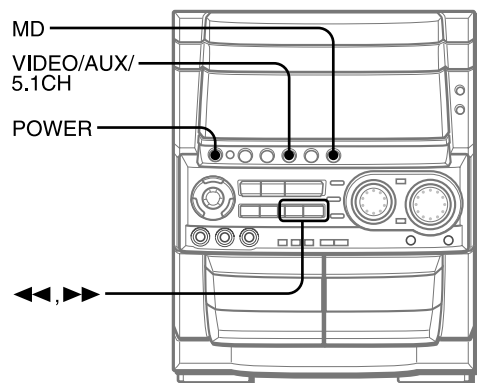
SUBWOOFER JACKS

Connect an optional powered subwoofer with a built-in amplifier to either of the two **SUBWOOFERS** jacks.

5.1 CH INPUT JACKS

This unit can input sound signals from the audio equipment (DVD player, LD player, etc.) that contains a Dolby Digital decoder with the 5.1 ch output terminals. Refer to "CONNECTING A DVD PLAYER" on page 29.

LISTENING TO EXTERNAL SOURCES



To play equipment connected to **VIDEO/AUX** jacks or **MD** jacks, proceed as follows.

1 Press VIDEO/AUX/5.1CH or MD.

To play the equipment connected to **VIDEO/AUX**, press **VIDEO/AUX/5.1CH**. "VIDEO" appears on the display.

To play the equipment connected to **MD**, press **MD**. "MD" appears on the display.

2 Play the connected equipment.

To change a source name in the display

When **VIDEO/AUX/5.1CH** is pressed, "VIDEO" is displayed initially. It can be changed to "AUX" or "TV".

With the power on, press **POWER** while pressing **VIDEO/AUX/5.1CH**.

Repeat the procedure to select one of the names.

To adjust the sound level of the external source

When the sound level of the external source is much higher or much lower than that of other function sources, adjust it as follows.

- 1 Press **VIDEO/AUX/5.1CH** or **MD** and play the equipment.
- 2 Press **◀** or **▶** so that the sound level becomes the same as that of other function sources.

NOTE

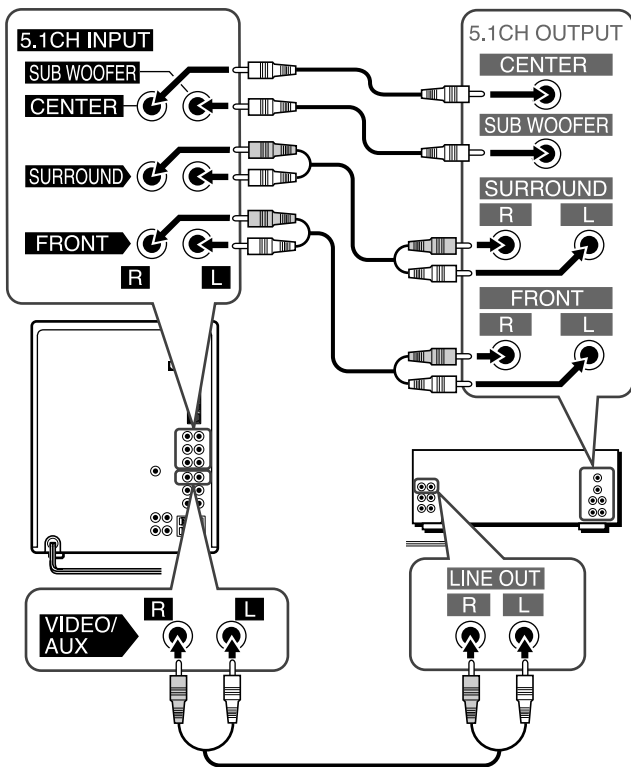
During recording, the sound level can not be adjusted.

CONNECTING A DVD PLAYER

5.1CH INPUT jacks of this unit support the DOLBY DIGITAL SURROUND system.

Connect a DVD player with 5.1CH output jacks to this unit using cables with RCA phono plugs as follows;

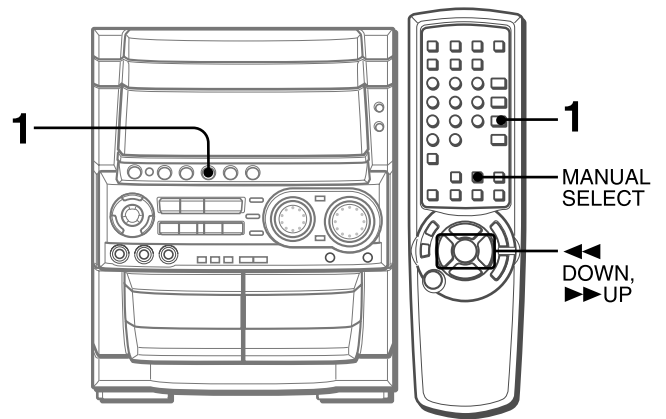
This unit's jack	DVD player's jack
5.1CH SUB WOOFER	5.1CH OUTPUT SUB WOOFER, etc.
5.1CH CENTER	5.1CH OUTPUT CENTER, etc.
5.1CH SURROUND (L,R)	5.1CH OUTPUT SURROUND (L,R), etc.
5.1CH FRONT (L,R)	5.1CH OUTPUT FRONT (L,R), etc.
VIDEO/AUX (L,R)	LINE OUT (L, R), etc. (See "NOTE", below.)



NOTE

- If the DVD is not connected to **VIDEO/AUX** jack of this unit;
 - the spectrum analyzer does not show the sound level of the DVD player.
 - the sound from the connected DVD player cannot be recorded.
- To remove these limitations, connect the **LINE OUT** jacks of the DVD player to **VIDEO/AUX** jacks of this unit besides connecting to **5.1CH INPUT** jacks. The signals through **VIDEO/AUX** jacks enable the spectrum analyzer to work and the recording to be done.
- Refer also to the operating instructions of the DVD player.
- DOLBY DIGITAL SURROUND sound cannot be recorded in any way.

LISTENING TO DOLBY DIGITAL SURROUND SOUND



When a DVD player is connected to the **5.1CH INPUT** jacks of this unit, you can listen to DOLBY DIGITAL SURROUND sound, which enables you to enjoy theater-quality sound in your home.

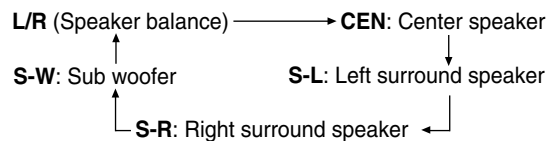
- 1 Press **VIDEO/AUX/5.1CH** repeatedly until "5.1 ch IN" is displayed.
- 2 Start playing **DOLBY DIGITAL SURROUND** sound on the DVD player.

NOTE

- The DOLBY PRO LOGIC, BBE and the DSP SURROUND are automatically canceled when the 5.1 CH is selected.
- Make sure the software played back with the connected DVD player support the DOLBY DIGITAL SURROUND.
- The function is changed from the 5.1 CH to the VIDEO when;
 - the headphones are plugged in.
 - the MIC or ECHO level is changed.
 - the DSP SURROUND system, the DOLBY PRO LOGIC or the Karaoke function is turned on.

To adjust the sound levels of the center and surround speakers in DOLBY DIGITAL SURROUND

- 1 Press **VIDEO/AUX/5.1CH** repeatedly until "5.1 ch IN" is displayed.
- 2 Press **MANUAL SELECT** repeatedly. Speaker names appear in turn as follows;



- 3 Press **DOWN** or **UP** to adjust the sound level while "CEN", "S-L", "S-R" or "S-W" is displayed. Each level can be adjusted between -8dB and +7dB.
- 4 Repeat steps 2 and 3 to adjust each speaker's sound level.

NOTE

If the surround speakers or the center speaker level of the DOLBY DIGITAL SURROUND is changed, that of the DSP SURROUND system (page 11) and the DOLBY PRO LOGIC (page 21) is also changed.

CARE AND MAINTENANCE

Occasional care and maintenance of the unit and the software are needed to optimize the performance of your unit.

To clean the cabinet

Use a soft and dry cloth.

If the surfaces are extremely dirty, use a soft cloth lightly moistened with mild detergent solution. Do not use strong solvents, such as alcohol, benzine or thinner as these could damage the finish of the unit.

To clean the tape heads

When the tape heads are dirty;

- high frequency sound is not emitted
- the sound is not adequately high
- the sound is off-balance
- the tape cannot be erased
- the tape cannot be recorded on

After every 10 hours of use, clean the tape heads with a head cleaning cassette.

Refer to the instructions of the cleaning cassette for details.

To demagnetize the tape heads

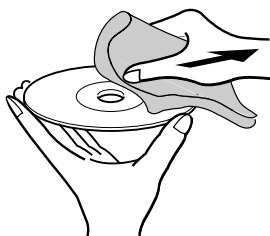
The tape heads may become magnetized after long-term use. This may narrow the output range of recorded tapes and increase noise.

After every 20 to 30 hours of use, demagnetize the tape heads with a separately sold demagnetizing cassette.

Refer to the instructions of the demagnetizing cassette for details.

Care of discs

- When a disc becomes dirty, wipe the disc from the center out with a cleaning cloth.



- After playing a disc, store the disc in its case. Do not leave the disc in places that are hot or humid.

Care of tapes

- Store tapes in their cases after use.
- Do not leave tapes near magnets, motors, television sets, or any source of magnetism. This will downgrade the sound quality and cause noise.
- Do not expose tapes to direct sunlight, or leave them in a car parked in direct sunlight.

TROUBLESHOOTING GUIDE

If the unit fails to perform as described in these Operating Instructions, check the following guide.

GENERAL

There is no sound.

- Is the AC cord connected properly?
- Is there a bad connection? (→ page 4)
- There may be a short circuit in the speaker terminals.
 - Disconnect the AC cord, then correct the speaker connections.

- Was an incorrect function button pressed?

Sound is emitted from one speaker only.

- Is the other speaker disconnected?

The output sound is not stereo.

- Is the Karaoke function turned on? (→ page 23)

An erroneous display or a malfunction occurs.

- Reset the unit as stated below.

The unit blacks out when the power is turned off.

- Is the power economizing mode set to "ECO ON" or "ECO AUTO"? (→ page 7)

The power is not turned on.

- Disconnect the AC cord, and connect it again in a few seconds.

TUNER SECTION

There is constant, wave-like static.

- Is the antenna connected properly? (→ page 6)
- Is the signal weak?
 - Connect an outdoor antenna.

The reception contains noise interferences or the sound is distorted.

- Is the system picking up external noise or multipath distortion?
 - Change the orientation of the antenna.
 - Move the unit away from other electrical appliances.

CASSETTE DECK SECTION

The tape does not run.

- Is deck 2 in pause mode? (→ page 13)

The sound is off-balance or not adequately high.

- Is the playback head dirty? (→ above)

Recording is not possible.

- Is the erasure prevention tab on the tape broken off? (→ page 14)
- Is the recording head dirty? (→ above)

Erasure is not possible.

- Is the erasure head dirty? (→ above)
- Is a metal tape being used?

High frequency sound is not emitted.

- Is the recording/playback head dirty? (→ above)

CD PLAYER SECTION

The CD player does not play.

- Is the disc correctly placed? (→ page 15)
- Is the disc dirty? (→ above)
- Is the lens affected by condensation?
 - Wait approximately one hour and try again.

To reset

If an unusual condition occurs in the display window or the cassette decks, reset the unit as follows.

- 1 Press **POWER** to turn off the power.
- 2 Press **POWER** to turn the power back on while pressing **■ CLEAR**. Everything stored in memory after purchase is canceled.

If the power cannot be turned off in step 1 because of a malfunction, reset by disconnecting the AC cord, and connect it again. Then carry out step 2.

SPECIFICATIONS

Main unit CX-NHMT75

FM tuner section

Tuning range	87.5 MHz to 108 MHz
Usable sensitivity (IHF)	13.2 dBf
Antenna terminals	75 ohms (unbalanced)

AM tuner section

Tuning range	530 kHz to 1710 kHz (10 kHz step) 531 kHz to 1602 kHz (9 kHz step)
Usable sensitivity	350 μ V/m
Antenna	Loop antenna

Amplifier section

Power output	Front 100 W + 100 W (50 Hz – 20 kHz, THD less than 1%, 6 ohms) Rear (Surround) 33 W + 33 W (1 kHz, THD less than 1%, 8 ohms) Center 34 W (1 kHz, THD less than 1%, 8 ohms)
--------------	---

Total harmonic distortion	0.1 % (40 W, 1 kHz, 6 ohms, DIN AUDIO/Front)
---------------------------	---

Inputs	VIDEO/AUX: 316 mV (adjustable) MD: 316 mV (adjustable) MIC 1, MIC 2: 1 mV (10 k ohms) 5.1CH INPUT (adjustable) FRONT (L,R): 240 mV REAR (L,R): 220 mV CENTER: 370 mV SUB WOOFER: 240 mV
--------	--

Outputs	SPEAKERS: accept speakers of 6 ohms or more SURROUND SPEAKERS: accept speakers of 8 ohms to 16 ohms CENTER SPEAKER: accept speakers of 8 ohms or more SUBWOOFER: 1.1 V LINE OUT: 210 mV PHONES (stereo jack): accepts headphones of 32 ohms or more
---------	--

Cassette deck section

Track format	4 tracks, 2 channels stereo
Frequency response	CrO ₂ tape: 50 Hz – 16000 Hz Normal tape: 50 Hz – 15000 Hz
Recording system	AC bias
Heads	Deck 1: Playback head \times 1 Deck 2: Recording/playback head \times 1, erase head \times 1

Compact disc player section

Laser	Semiconductor laser ($\lambda = 780$ nm)
D-A converter	1 bit dual
Signal-to-noise ratio	85 dB (1 kHz, 0 dB)
Harmonic distortion	0.05 % (1 kHz, 0 dB)
Wow and flutter	Unmeasurable

General

Power requirements	120 V AC, 60 Hz
Power consumption	190 W
Power consumption in standby mode	If the power-economizing mode is ECO OFF: 30 W If the power-economizing mode is ECO ON or ECO AUTO: 0.7 W

Dimensions (W \times H \times D)

Dimensions (W \times H \times D)	260 \times 330 \times 395 mm (10 ¹ / ₄ \times 13 \times 15 ⁵ / ₈ in.)
--------------------------------------	--

Weight

9.5 kg (20 lbs 15 oz.)

Speaker system SX-NAJ72

Speaker system	3 way, bass reflex (magnetic shielded type)
----------------	---

Speaker units	Woofer: 140 mm (5 ⁵ / ₈ in.) cone type Tweeter: 60 mm (2 ³ / ₈ in.) cone type Super tweeter: 20 mm (13/16 in.) ceramic type
---------------	--

Impedance

6 ohms

Sensitivity

87 dB/W/m

Dimensions (W \times H \times D)

240 \times 324 \times 270 mm

(9 ¹/₂ \times 12 ⁷/₈ \times 10 ³/₄ in.)


Weight

4.5 kg (9 lbs 15 oz.)

Specifications and external appearance are subject to change without notice.

DOLBY PRO LOGIC

Manufactured under license from Dolby Laboratories Licensing Corporation.

“DOLBY”, the double-D symbol  and “PRO LOGIC” are trademarks of Dolby Laboratories Licensing Corporation.

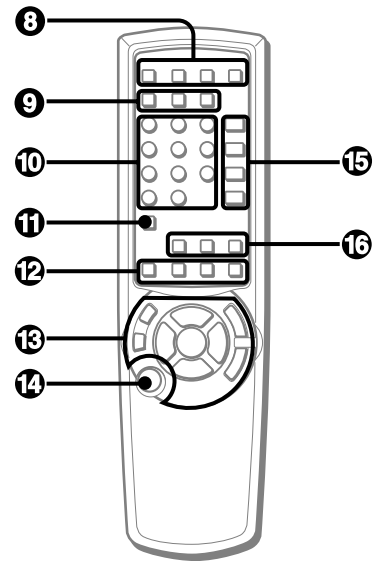
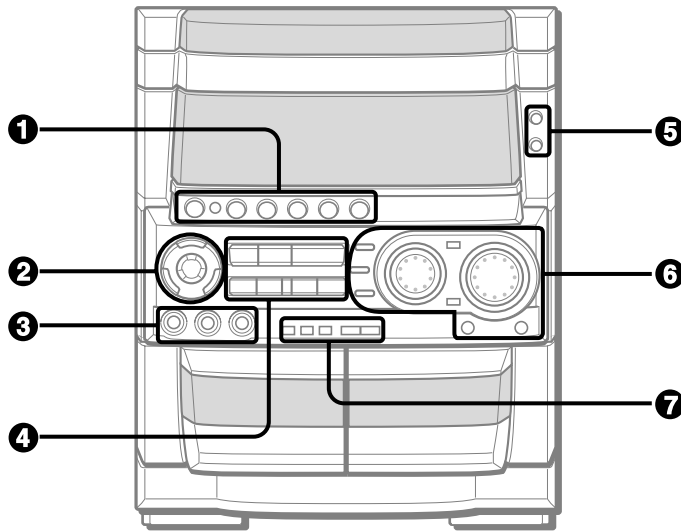
BBE SYSTEM

The word “BBE” and the “BBE symbol” are trademarks of BBE Sound, Inc.

Under license from BBE Sound, Inc.

COPYRIGHT

Please check the laws on copyright relating to recordings from discs, radio or external tape for the country in which the machine is being used.



Name/Nombre/Nom Page/Página/Page

- 1** POWER \odot STANDBY/ON 7,12,26,27,30
 ECO 7
 TAPE/DECK 1/2 13,18
 TUNER/BAND 12,17
 VIDEO/AUX/5.1CH 17,28,29
 CD 15,17,19,20
 MD 17,28
- 2** DISC DIRECT PLAY 1-3 15,19,20
 \blacktriangle OPEN/CLOSE 15
 CD BLANK SKIP 16
 DISC CHANGE 15
- 3** PHONES 10
 MIC 1,2 23
- 4** \parallel SET 8,13,15,17,25
 \blacksquare CLEAR 8,13-20,30
 $\blacktriangleleft/\blacktriangleright$ DIRECTION/PRESET 13-16,24
 $\blacktriangleleft/\blacktriangleleft$ DOWN 8,11-16,19,20,24,25,28
 $\blacktriangleright/\blacktriangleright$ UP 8,11-16,19,20,24,25,28
 SYNC DUB (NORM/HIGH) 18
 \bullet REC/REC MUTE 17-20
- 5** BBE 9
 T-BASS 9
- 6** GEQ 10
 TIMER 25,26
 CLOCK 8
 MULTI JOG 7,8,11,25
 ENTER 8,25
 VOLUME 9
 SURROUND 11
 MIC 23
 ECHO 23

Name/Nombre/Nom Page/Página/Page

- 7** DEMO 7,27
 REV MODE (DECK 2) 13,17
 CD EDIT/CHECK 15,19,20
 KARAOKE 23
 DOLBY PRO LOGIC 21,22
- 8** TIMER 25
 SLEEP 25
 MONO TUNER 12
 CLOCK 8
- 9** CD EDIT/CHECK 15,19,20
 PRGM 20,24
 RANDOM/REPEAT 16
- 10** 0-9, +10 16,19,20
- 11** DISC DIRECT PLAY 15,19,20
- 12** T-BASS 9
 GEQ 10
 KARAOKE 23
 \blacktriangle OPEN/CLOSE 15
- 13** $\blacktriangleleft/\blacktriangleleft$ DOWN 8,11-16,19-22,24,25,28,29
 UP $\blacktriangleright/\blacktriangleright$ 8,11-16,19-22,24,25,28,29
 \parallel SET 8,13,15,17,25
 \blacksquare CLEAR 8,13-20
 $\blacktriangleright/\blacktriangleleft$ PRESET 13-16,24
 VOL (\vee , \wedge) 9
 \bullet / \circ REC/REC MUTE 17-20
- 14** POWER 7,12,30
- 15** TAPE/DECK 1/2 13,18
 TUNER/BAND 12,17
 VIDEO/AUX 17,29
 CD 15,17,19,20
- 16** SURROUND 11
 MANUAL SELECT 9,21,22,29
 DOLBY PRO LOGIC 21,22

For assistance and information

call toll free 1-800-BUY-AIWA (United States and Puerto Rico)

ADVERTENCIA

PARA REDUCIR EL RIESGO DE INCENDIOS O SACUDIDAS ELECTRICAS, NO EXPONGA ESTE APARATO A LA LLUVIA NI A LA HUMEDAD.



Explicación de los símbolos gráficos:



El símbolo del rayo con punta de flecha, en el interior de un triángulo equilátero, tiene la finalidad de avisar al usuario de la presencia de "tensiones peligrosas" sin aislar en el interior del producto que podrían ser de suficiente magnitud como para constituir un riesgo de sacudida eléctrica para las personas.




El signo de exclamación en el interior de un triángulo equilátero tiene la finalidad de avisar al usuario de la presencia de instrucciones de operación y mantenimiento (reparación) en el material impreso que acompaña al aparato.

PRECAUCIONES

Lea cuidadosa y completamente el manual de instrucciones antes de utilizar la unidad. Asegúrese de guardar el manual de instrucciones para utilizarlo como referencia en el futuro. Todas las advertencias y precauciones del manual de instrucciones y de la unidad deberán cumplirse estrictamente, así como también las sugerencias de seguridad mencionadas más abajo.

Instalación

- 1 Agua y humedad** — No utilice esta unidad cerca del agua como, por ejemplo, cerca de una bañera, una palangana, una piscina o algo similar.
- 2 Calor** — No utilice esta unidad cerca de fuentes de calor, incluyendo salidas de aire caliente, estufas u otros aparatos que generen calor.
No deberá colocarse tampoco en lugares donde la temperatura sea inferior a 5°C o superior a 35°C.
- 3 Superficie de montaje** — Ponga la unidad sobre una superficie plana y nivelada.
- 4 Ventilación** — La unidad deberá situarse donde tenga suficiente espacio libre a su alrededor, para que la ventilación apropiada quede asegurada. Deje un espacio libre de 10 cm por la parte posterior y superior de la unidad, y 5 cm por cada lado.
 - No ponga la unidad sobre una cama, una alfombra o superficies similares que podrían tapan las aberturas de ventilación.
 - No instale la unidad en una librería, mueble o estantería cerrada herméticamente donde la ventilación no sea adecuada.
- 5 Entrada de objetos y líquidos** — Tenga cuidado de que objetos y líquidos no entren en la unidad por las aberturas de ventilación.
- 6 Carros de mano y soportes** — Cuando ponga o monte la unidad en un soporte o carro de mano, ésta deberá moverse con mucho cuidado. Las paradas repentinas, la fuerza excesiva y las superficies irregulares pueden hacer que la unidad o el carro de mano se dé vuelta o se caiga.
 
- 7 Condensación** — En la lente del fonocaptor del reproductor de discos compactos tal vez se forme condensación cuando:
 - La unidad se pase de un lugar frío a uno caliente.
 - El sistema de calefacción se acabe de encender.
 - La unidad se utilice en una habitación muy húmeda.
 - La unidad se enfríe mediante un acondicionador de aire.
 Esta unidad tal vez funcione mal cuando tenga condensación en su interior. En este caso, deje en reposo la unidad durante unas pocas horas y repita de nuevo la operación.
- 8 Montaje en pared o techo** — La unidad no se deberá montar en una pared ni en el techo, a menos que se especifique lo contrario en el manual de instrucciones.

Energía eléctrica

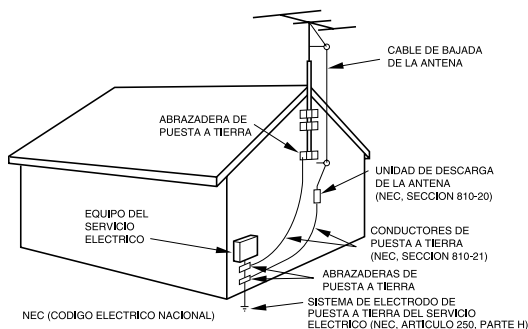
- 1 Fuentes de alimentación** — Conecte solamente esta unidad a las fuentes de alimentación especificadas en el manual de instrucciones, y como está marcado en la unidad.
- 2 Polarización** — Como característica de seguridad, algunas unidades están equipadas con clavijas de alimentación de CA polarizadas, las cuales sólo se pueden insertar de una forma en las tomas de corriente. Si resulta difícil o imposible insertar la clavija de alimentación de CA en una toma de corriente, dé vuelta a la clavija e inténtelo de nuevo. Si sigue sin poder insertar fácilmente la clavija en la toma de corriente, llame a un electricista cualificado para que modifique o reemplace la toma de corriente. Para evitar anular la característica de seguridad de la clavija polarizada, no la inserte a la fuerza en una toma de corriente.
- 3 Cable de alimentación de CA**
 - Cuando desconecte el cable de alimentación de CA, sujete la clavija de alimentación de CA y tire de ella. No tire del propio cable.
 - Nunca maneje la clavija de alimentación de CA con las manos mojadas porque podría producirse un incendio o una sacudida eléctrica.
 - Los cables de alimentación deberán colocarse de forma que no sean doblados excesivamente, pellizcados o pisados. Tenga mucho cuidado con el cable que va de la unidad a la toma de corriente.
 - Evite sobrecargar las tomas de CA y los cables de extensión más allá de su capacidad porque esto podría causar un incendio o una sacudida eléctrica.

- 4 Cable de extensión** — Para evitar sacudidas eléctricas, no utilice la clavija de alimentación de CA polarizada con un cable de extensión, ni tampoco en un receptáculo u otra toma de corriente a menos que la clavija polarizada pueda insertarse completamente evitando que sus patillas queden expuestas.
- 5 Periodos de no utilización** — Desenchufe el cable de alimentación de CA de la toma de corriente si la unidad no va a ser utilizada durante varios meses o más. Cuando el cable de alimentación esté conectado, por la unidad continuará circulando una pequeña cantidad de corriente, aunque la alimentación esté desconectada.

Antena exterior

- 1 Líneas de alta tensión** — Cuando conecte una antena exterior, asegúrese de colocarla lejos de las líneas de alta tensión.
- 2 Conexión a tierra de la antena exterior** — Asegúrese de que el sistema de la antena esté conectado correctamente a tierra para proporcionar así una protección contra el exceso inesperado de tensión o contra la acumulación de electricidad estática. El artículo 810 del Código Eléctrico Nacional, ANSI/NFPA70, proporciona información acerca de la puesta a tierra apropiada del mástil de la antena, la estructura de apoyo y el cable de bajada a la unidad de descarga de la antena, así como también del tamaño de la unidad de puesta a tierra, la conexión de los terminales de puesta a tierra y los requisitos para conectar a tierra los mismos terminales.

Puesta a tierra de la antena según el Código Eléctrico Nacional



Mantenimiento

Limpie la unidad sólo como se recomienda en el manual de instrucciones.

Daños que necesitan ser reparados

Haga que un técnico en reparaciones cualificado le repare las unidades si:

- El cable de alimentación de CA o su clavija está estropeado.
- Objetos extraños o líquidos han entrado en la unidad.
- La unidad ha estado expuesta a la lluvia o al agua.
- La unidad no parece funcionar normalmente.
- La unidad muestra un cambio considerable en sus prestaciones.
- La unidad se ha caído o la caja se ha estropeado.

NO TRATE DE REPARAR LA UNIDAD USTED MISMO.

Compruebe su sistema y los accesorios

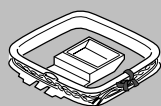
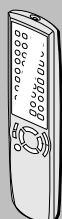
NSX-HMT75/NSX-HMT76

- CX-NHMT75 Sintonizador, amplificador, platina de casete y reproductor de discos compactos estéreo
- SX-NAJ72 Altavoces delanteros
- SX-R275 Altavoces de sonido ambiental
- SX-C605 Altavoces central
- TS-W45 Altavoz de subgraves (para el NSX-HMT76 solamente)

Control remoto

Antena de AM

Antena de FM



INDICE

PRECAUCIONES 2

PREPARATIVOS

CONEXIONES 4
 CONTROL REMOTO 6
 ANTES DE LA OPERACION 7
 PUESTA EN HORA DEL RELOJ 8

SONIDO

AJUSTES DE AUDIO 9
 ECUALIZADOR GRAFICO 10
 DSP SURROUND 11

RECEPCION DE LA RADIO

SINTONIZACION MANUAL 12
 PREAJUSTE DE EMISORAS 12

REPRODUCCION DE CINTAS

OPERACIONES BASICAS 13
 REPRODUCCION CONTINUA 14

REPRODUCCION DE DISCOS COMPACTOS

OPERACIONES BASICAS 15
 REPRODUCCION PROGRAMADA 16

GRABACION

GRABACION BASICA 17
 COPIADO MANUAL DE UNA CINTA 18
 COPIADO DE TODA LA CINTA 18
 GRABACION CON EDICION AI 19
 GRABACION CON EDICION PROGRAMADA 20

DOLBY PRO LOGIC

AJUSTE DEL EQUILIBRIO DE SONIDO DE LOS
 ALTAVOCES 21
 REPRODUCCION CON DOLBY PRO LOGIC 22

KARAOKE

MEZCLA MICROFONICA 23
 PROGRAMA DE KARAOKE 24

TEMPORIZADOR

AJUSTE DEL TEMPORIZADOR PARA DORMIR 25
 AJUSTE DEL TEMPORIZADOR 25

OTRAS CARACTRISTICAS

DEMO (Demonstración) 27

OTRAS CONEXIONES

CONEXION DE UN EQUIPO OPCIONAL 28
 ESCUCHA DE FUENTES DE SONIDO EXTERNAS 28
 CONEXION DE UN REPRODUCTOR DVD 29

GENERALIDADES

CUIDADOS Y MANTENIMIENTO 30
 GUIA PARA LA SOLUCION DE PROBLEMAS 30
 ESPECIFICACIONES 31

INDICE DE LAS PARTES *Cubierta trasera*

E

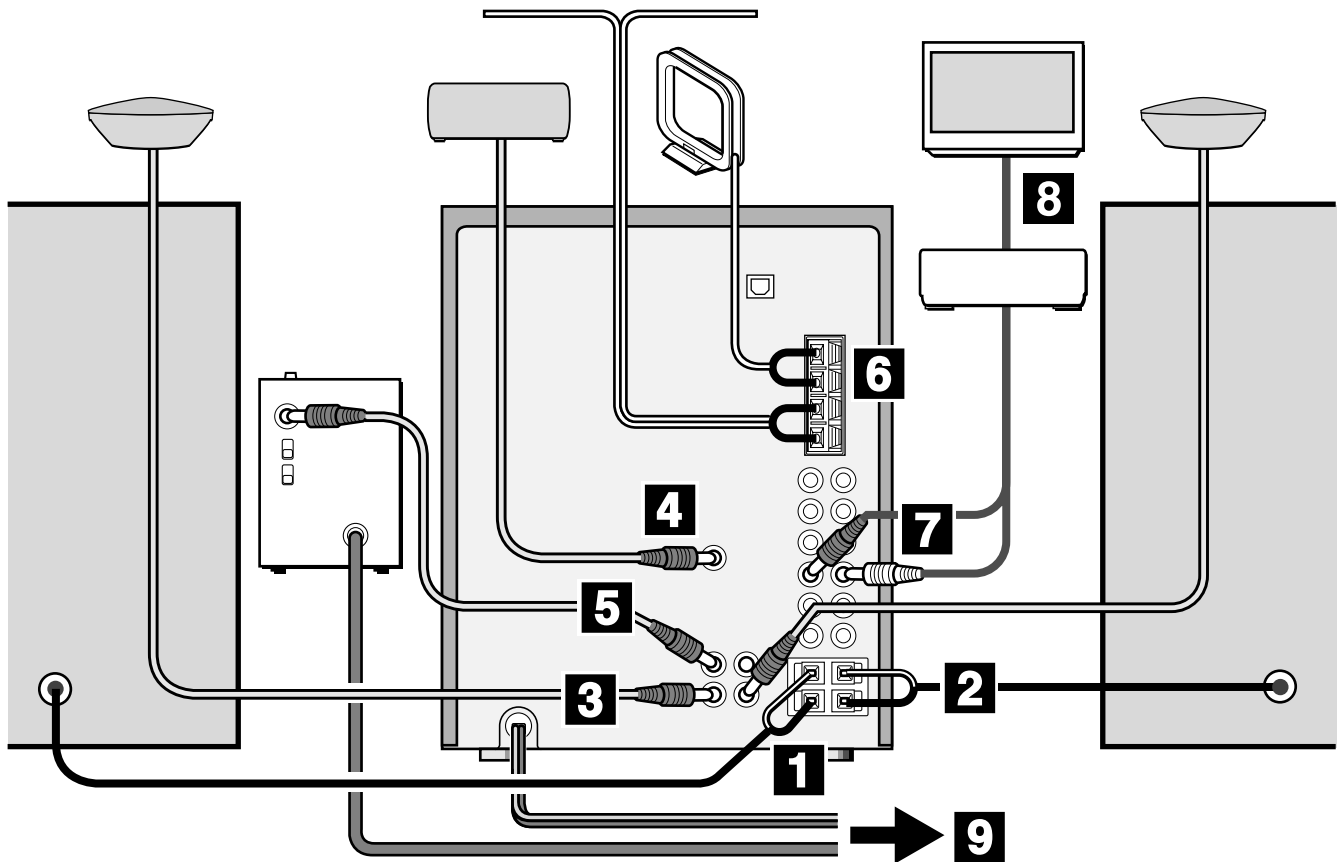
CONEXIONES

Antes de conectar el cable de CA

La tensión nominal de su unidad, mostrada en el panel trasero, es de 120 V CA. Compruebe que esta tensión nominal concuerde con la tensión de su localidad.

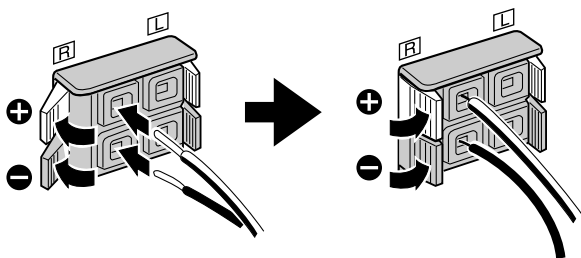
IMPORTANTE

Conecte primero los altavoces, las antenas y todos los demás equipos opcionales. Luego conecte el cable de CA.



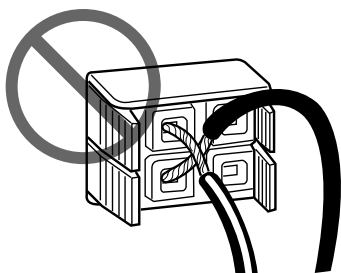
1 Conecte el altavoz derecho a la unidad principal.

Conecte el cable de altavoz con franja blanca al terminal **SPEAKERS R** (+) y el cable negro al terminal (-).



NOTA

- Asegúrese de conectar correctamente los cables de los altavoces. Las conexiones mal hechas podrían causar cortocircuitos en los terminales **SPEAKERS**.

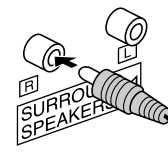


2 Conecte el altavoz izquierdo a la unidad principal.

Conecte los cables de los altavoces a los terminales **SPEAKERS L** de igual forma que en el paso 1.

3 Conecte los altavoces de sonido ambiental.

Conecte los cables de los altavoces de sonido ambiental a los terminales **SURROUND SPEAKERS**.



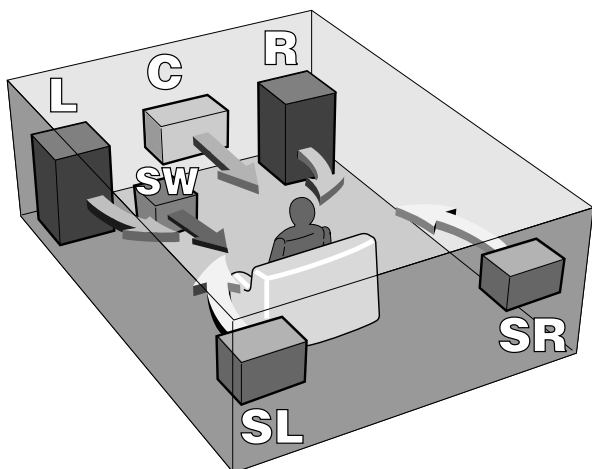
4 Conecte el altavoz central.

Conecte el cable del altavoz central al terminal **CENTER SPEAKER**.



UBICACION DE LOS ALTAVOCES

Para poder lograr los mejores efectos que puedan obtenerse con el sistema DOLBY PRO LOGIC, resulta importante colocar apropiadamente los altavoces. Consulte la ilustración siguiente para encontrar la mejor ubicación en su habitación.



L&R: Altavoces delanteros

C: Altavoz central

Póngalo en medio de los dos altavoces delanteros. Además, si conecta un televisor a la unidad, ponga este altavoz encima o debajo del televisor.

SL&SR: Altavoces de sonido ambiental

Ponga los altavoces de sonido ambiental directamente a los lados o un poco por detrás de la zona de escucha. Alineelos horizontalmente, a 1 metro aproximadamente por encima de la altura de los oídos.

SW: Altavoz de subgraves (para el NSX-HMT76 solamente)

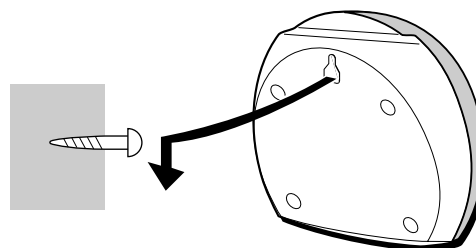
Ponga el altavoz de subgraves en el suelo, cerca de una pared o en una esquina de la habitación.

NOTA

- Cuando DOLBY PRO LOGIC, el sistema SURROUND y 5.1 CH (página 29) estén desactivados no se oír sonido del altavoz central ni de los altavoces de sonido ambiental.
- El altavoz central sólo sonará cuando DOLBY PRO LOGIC o 5.1 CH (página 29) esté activado.

Para montar los altavoces de sonido ambiental en la pared

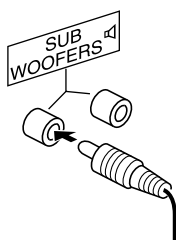
Monte cada altavoz en un lugar que pueda aguantar su peso.



5 Conecte el altavoz de subgraves (sólo para el NSX-HMT76).

Conecte el cable del altavoz de subgraves al terminal **SUBWOOFERS**.

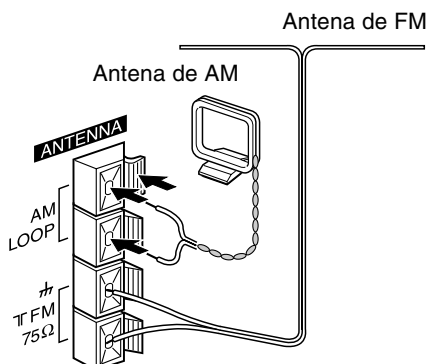
Puede conectarlo a cualquiera de los dos terminales.



- Consulte el manual de instrucciones del TS-W45 para conocer detalles.

6 Conecte las antenas suministradas.

Conecte la antena de FM a los terminales **FM 75 Ω** y la de AM a los terminales **AM LOOP**.



7 Conecte el equipo de vídeo.

Conecte la toma **VIDEO/AUX** de esta unidad a la toma de salida de audio del equipo de vídeo empleando un cable de conexión de audio opcional.

8 Conecte el televisor al equipo de vídeo.

Consulte el manual de instrucciones del equipo conectado para tener más detalles.

9 Conecte el cable de CA a una toma de CA.

La DEMO empezará cuando el cable de CA se enchufe en una toma de CA por primera vez. Para desactivar la DEMO, ponga en hora el reloj.

NOTA

- No deje objetos que generen magnetismo, tales como tarjetas de crédito, cerca de los altavoces porque podrían estropearse.
- No ponga la antena de FM cerca de objetos metálicos o rieles de cortinas.
- No ponga la antena de AM cerca de equipos opcionales, el propio sistema estéreo, el cable de alimentación de CA o los cables de los altavoces, porque se captarán ruidos.
- No desbobine el cable de la antena de AM.

Para posicionar las antenas

Antena de FM:

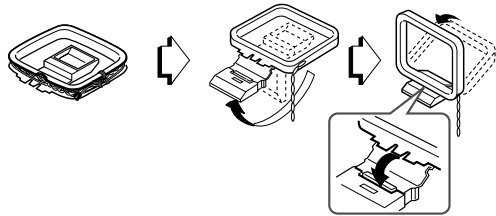
Extienda horizontalmente esta antena formando una T y fije sus extremos en la pared.

Antena de AM:

Coloque y gire esta antena para encontrar la mejor recepción posible.

Para poner la antena de AM en posición vertical sobre una superficie

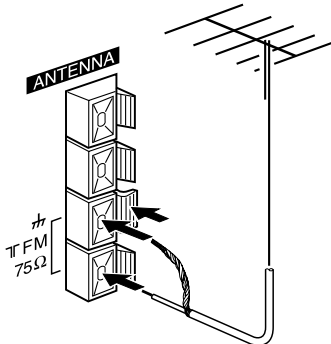
Fije el gancho en la ranura.



CONEXION DE UNA ANTENA EXTERIOR

Para obtener la mejor recepción de FM se recomienda utilizar una antena exterior.

Conecte la antena exterior a los terminales **FM 75 Ω**.

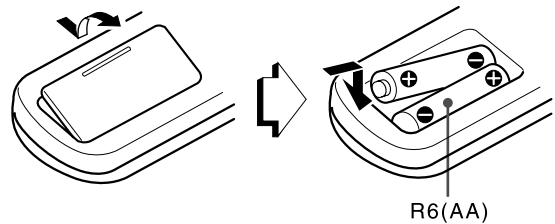


Para conectar otro equipo opcional → página 28.

CONTROL REMOTO

Inserción de las pilas

Quite la tapa de las pilas, ubicada en la parte trasera del control remoto, e inserte dos pilas R6 (tamaño AA).



Cuándo reemplazar las pilas

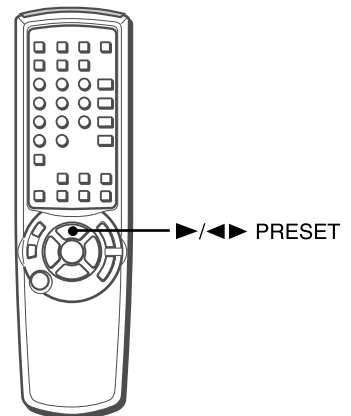
La distancia máxima de operación entre el control remoto y el sensor de la unidad principal deberá ser de 5 metros aproximadamente. Cuando disminuya esta distancia, reemplace las pilas por otras nuevas.

Utilización del control remoto

Las instrucciones descritas en este manual se refieren principalmente a los botones de la unidad principal. Los botones del control remoto con los mismos nombres pueden usarse de la misma manera que los de la unidad principal.

▶/◀ PRESET en el control remoto

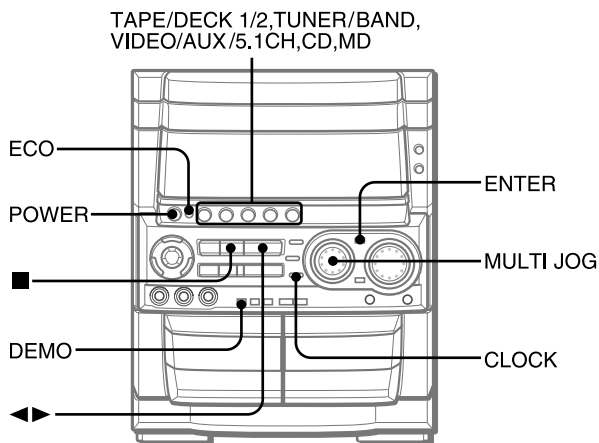
La función es la misma que la de ◀▶ de la unidad principal.



NOTA

- Si el control remoto no va a ser utilizado durante mucho tiempo, quite las pilas para evitar posibles fugas de electrólito.
- El control remoto quizá no funcione correctamente cuando:
 - La línea de visión entre el control remoto y el sensor de señales del interior del visualizador esté expuesta a una luz intensa como, por ejemplo, la luz del sol.
 - Otros controles remotos (los de un televisor, etc.) estén siendo utilizados cerca de esta unidad.

ANTES DE LA OPERACION



Para conectar la alimentación

Pulse uno de los botones de función (**TAPE/DECK 1/2**, **TUNER/BAND**, **VIDEO/AUX/5.1CH**, **CD**, **MD**). La reproducción de la cinta o del disco insertado empezará o se recibirá la emisora previamente sintonizada (función de reproducción directa). También podrá utilizarse **POWER**.

NOTA

Cuando se conecte la alimentación, el compartimento de los discos tal vez se abra o se cierre para reponer la unidad.

Para desconectar la alimentación

Pulse **POWER**.

DEMO (Demostración)

Cuando el cable de CA se enchufe a una toma de CA por primera vez tras la compra de la unidad, la DEMO empezará en el visualizador. Cuando se conecte la alimentación, la DEMO terminará. Cuando se desconecte la alimentación, la DEMO empezará de nuevo.

Cuando la hora esté puesta en el reloj, la DEMO no empezará aunque se desconecte la alimentación.

Para desactivar o activar la DEMO

Pulse **CLOCK**, y el reloj se visualizará en lugar de la DEMO.

Pulse **DEMO** para activar la DEMO.

(Para más detalles acerca de la DEMO, consulte la página 27.)

ACTIVACION DEL MODO DE AHORRO DE ENERGIA

Cuando ponga el modo de ahorro de energía en "ECO ON" o "ECO AUTO", la unidad reducirá el consumo de energía realizando las cuatro operaciones **ECO** indicadas a continuación.

ECO ON

- La unidad (toda la iluminación del visualizador y los botones) se apagará cuando se desconecte la alimentación. Sólo se encenderá el indicador rojo.
- Si se selecciona DIMMER (1-3), la iluminación del visualizador y los botones se encenderá sólo durante 10 segundos cuando se pulse un botón o se gire **VOLUME** o **MULTI JOG**.
- La visualización del modo de intensidad de iluminación del visualizador se pone al mínimo, la iluminación de los botones se apaga, y el volumen se ajusta al mínimo (0) cuando la unidad se enciende mediante la función de grabación con temporizador.

ECO AUTO

- Además de las tres operaciones de ECO ON, la unidad se apagará automáticamente si usted no la utiliza y la fuente de sonido permanece silenciada durante 10 minutos.

ECO OFF

El modo de ahorro de energía no funciona.

1 Pulse ECO.

Se visualizará "ECO MODE".



2 Pulse ENTER antes de que pasen 4 segundos.

Se visualizará el estado del modo de ahorro de energía actual.

3 Gire MULTI JOG antes de que pasen 4 segundos para seleccionar uno de los modos de ahorro de energía.

Ejemplo: Cuando se seleccione "ECO ON".



4 Pulse ENTER antes de que pasen 4 segundos.

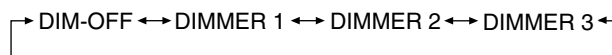
NOTA

Si el reloj no está puesto en hora, la unidad no se apagará. En su lugar, la DEMO empezará cuando se desconecte la alimentación.

MODO DE INTENSIDAD DE ILUMINACION

Para cambiar el modo de intensidad de iluminación del visualizador

- 1 Pulse repetidamente **ECO** hasta que se visualice "DIM MODE".
- 2 Pulse **ENTER** antes de que pasen 4 segundos.
- 3 Antes de que pasen 4 segundos, gire **MULTI JOG** para seleccionar uno de los modos de intensidad de iluminación cambiados cíclicamente de la forma mostrada a continuación.
- 4 Pulse **ENTER** antes de que pasen 4 segundos.



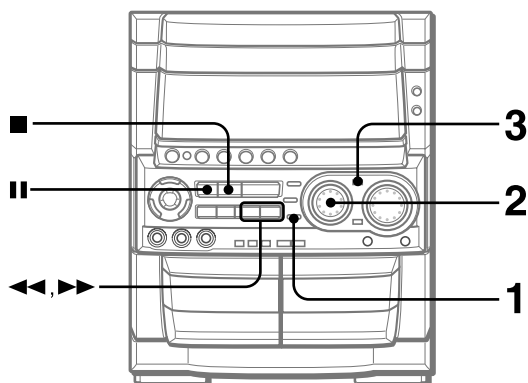
El modo "DIM-OFF" es el más intenso y el modo "DIMMER-3" en el más tenue. Además, en el modo "DIMMER-3", el analizador de espectro, la ventana de la parte superior de la unidad y la iluminación de los botones se apagará.

VENTANILLA PARPADEANTE

La ventanilla de la parte superior de la unidad se encenderá o parpadeará y el interior del portacasetes se iluminará mientras la unidad está siendo encendida.

Para apagar la luz de la ventana superior, pulse ■ mientras pulsa **CD**. Para apagar la luz del interior de los portacasetes, pulse ■ mientras pulsa **TAPE**. Para volver a encender cualquiera de estas luces, repita respectivamente la operación.

PUESTA EN HORA DEL RELOJ



1 Pulse **CLOCK**.

El reloj se visualiza. (":" entre las horas y los minutos parpadeará.)



2 Antes de que pasen 4 segundos, gire **MULTI JOG** para designar la hora y los minutos.

Al girar **MULTI JOG** cambian la hora y los minutos.

En lugar de **MULTI JOG** también puede utilizarse ◀◀ o ▶▶.

La hora cambiará rápidamente manteniendo pulsados estos botones.

3 Pulse **ENTER** o **II**.

El reloj empieza a funcionar desde 00 segundos.

Para reponer el ajuste original del reloj

Pulse **CLOCK** antes de completar el paso 3 para reponer el ajuste anterior de la hora. Esto cancelará cualquier nuevo ajuste.

Para ver el reloj habiendo otra visualización en el visualizador

Pulse **CLOCK**. La hora se visualizará durante 4 segundos y luego volverá a aparecer la visualización original. Sin embargo, el reloj no podrá visualizarse durante la grabación.

Para cambiar al modo de 24 horas

Pulse **CLOCK** y luego pulse ■ antes de que pasen 4 segundos. Repita el mismo procedimiento para reponer el modo de 12 horas.

En el modo estándar de 12 horas, "AM 12:00" indica la medianoche y "PM 12:00" indica el mediodía.

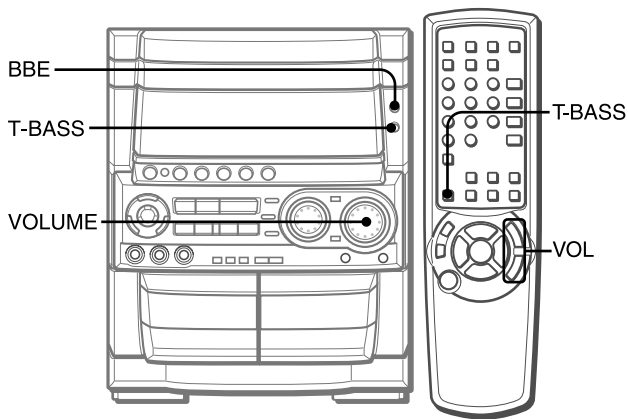
Si parpadea la visualización del reloj

Si parpadea la visualización cuando se visualiza el reloj, esto indica que el reloj se ha parado debido a un fallo en la alimentación o a la desconexión del cable de alimentación. La hora actual necesita reponerse.

NOTA

Si el modo de ahorro de energía (página 7) está activado, la unidad se apagará cuando se desconecte la alimentación. Para ver el reloj, pulse **CLOCK** para visualizar la hora durante 4 segundos.

AJUSTES DE AUDIO



CONTROL DE VOLUMEN

Gire VOLUME de la unidad principal o pulse VOL del control remoto.

El nivel de sonido se visualiza como un número del 0 a MAX (50).

El nivel de sonido se ajusta automáticamente a 20 cuando se desconecta la alimentación estando el nivel de sonido ajustado en 21 o más.

Para cambiar el equilibrio de los canales derecho/izquierdo

Pulse **MANUAL SELECT** del control remoto. "L/R" se visualizará durante 4 segundos. Pulse **◀ DOWN** o **▶ UP** del control remoto antes de que pasen estos 4 segundos.

- El nivel DOLBY PRO LOGIC y DOLBY DIGITAL SURROUND de los altavoces delanteros cambiará también. (Consulte las páginas 21 y 29)

SISTEMA BBE

El sistema BBE realiza la claridad del sonido de alta frecuencia. También mejora la función Karaoke para que su voz suene más clara y agradable.

Pulse BBE.

Cada vez que lo pulse, el nivel cambiará. Seleccione uno de los tres niveles o la posición de apagado, lo que usted prefiera.



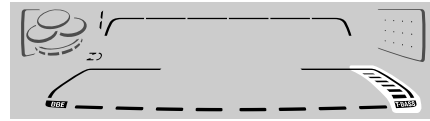
- El sistema BBE no funcionará mientras esté seleccionado 5.1 CH (página 29).

SISTEMA SUPER T-BASS

El sistema T-BASS realiza el realismo del sonido de baja frecuencia.

Pulse T-BASS.

Cada vez que lo pulse, el nivel cambiará. Seleccione uno de los tres niveles o la posición de apagado, lo que usted prefiera.



NOTA

- El sonido de baja frecuencia tal vez se distorsione cuando se utilice el sistema T-BASS con un disco o una cinta cuyo sonido de baja frecuencia haya sido realizado originalmente. En este caso, cancele el sistema T-BASS.
- Cuando reproduzca una cinta grabada con BBE se recomienda desactivar BBE para evitar el sonido de alta frecuencia distorsionado.

ECUALIZADOR GRAFICO

SELECCION DE LA CURVA DE ECUALIZACION PROGRAMADA

Esta unidad ofrece las 5 curvas de ecualización diferentes siguientes:

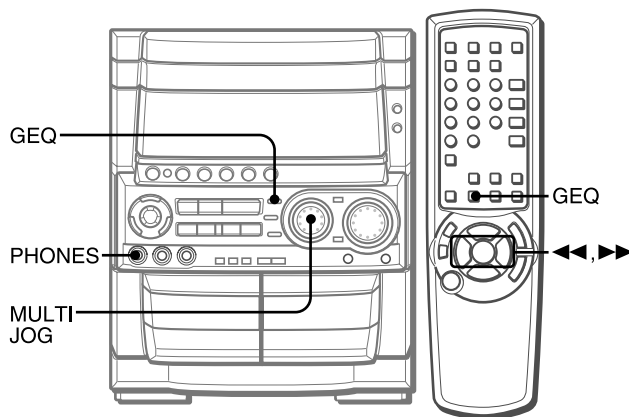
ROCK: Sonido potente que realza los agudos y los graves.

POP: Más presencia en las voces y en la gama de registro medio.

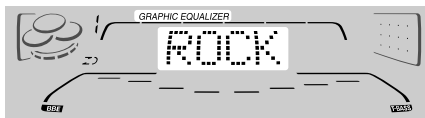
LATIN: Frecuencias más altas acentuadas para música latina.

CLASSIC: Sonido enriquecido con graves profundos y agudos finos.

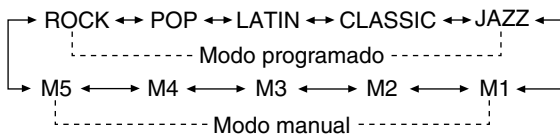
JAZZ: Frecuencias bajas acentuadas para música tipo jazz.



Pulse **GEQ**, y antes de que pasen 4 segundos gire **MULTI JOG** para seleccionar una de las curvas de ecualización programadas.



“GRAPHIC EQUALIZER” aparece y el modo GEQ se visualiza cíclicamente de la forma siguiente:



Para visualizar el modo GEQ actual

Pulse **GEQ**. El modo actual se visualiza durante 4 segundos.

Para cancelar el modo seleccionado

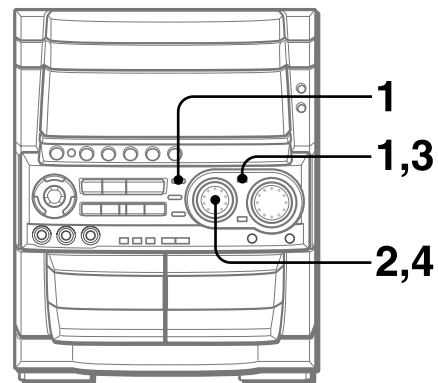
Pulse dos veces **GEQ**.

“GEQ OFF” aparece y “GRAPHIC EQUALIZER” desaparece.

Para seleccionar con el control remoto

Pulse **GEQ** y antes de que pasen 4 segundos, pulse repetidamente **◀◀** o **▶▶**. El modo GEQ se visualiza cíclicamente de la forma indicada arriba.

AJUSTE MANUAL DE UNA CURVA DE ECUALIZACION NUEVA

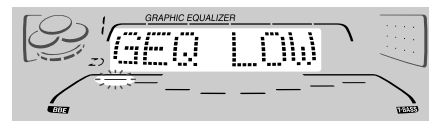


La curva de ecualización puede personalizarse según sus preferencias.

1 Pulse **GEQ**, seguido de **ENTER** antes de que pasen 4 segundos.

Su ajuste personalizado se basará en la curva actualmente seleccionada. Para seleccionar una curva diferente y personalizarla, gire **MULTI JOG** antes de pulsar **ENTER**. La visualización cambiará para visualizar “GEQ LOW”.

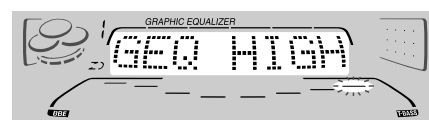
2 Antes de que pasen 8 segundos, gire **MULTI JOG** para ajustar el nivel de la frecuencia más baja.



3 Pulse **ENTER** para que se muestre “GEQ HIGH”.

El indicador del nivel de la frecuencia más alta parpadea durante 8 segundos.

4 Antes de que pasen 8 segundos, gire **MULTI JOG** para ajustar el nivel de la frecuencia más alta.



Los indicadores de nivel de frecuencia entre la más baja y la más alta se ajustan en conformidad.

NOTA

Si no almacena su curva de ecualización personalizada, ésta se perderá cuando usted cambie a una curva diferente o pulse **GEQ**. Para almacenar una curva nueva, consulte a continuación.

Utilización de auriculares

Conecte auriculares con clavija estéreo estándar de 6,3 mm \varnothing a la toma **PHONES**.

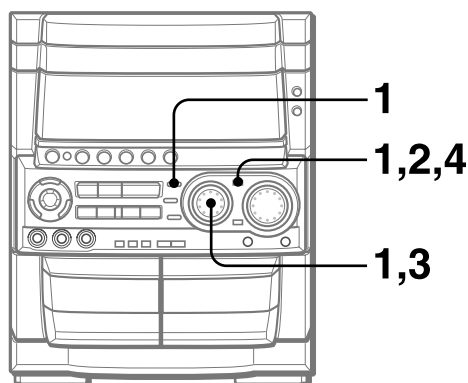
Mientras los auriculares estén conectados no saldrá sonido de los altavoces.

- Cuando los auriculares estén conectados, el sistema DSP SURROUND, DOLBY PRO LOGIC y 5.1 CH (página 29) no funcionarán.

Ajuste de sonido durante la grabación

El control **VOLUME** no afecta a la grabación, mientras que **BBE** sí afecta a la grabación.

ALMACENAMIENTO DE CURVAS DE ECUALIZACION NUEVAS



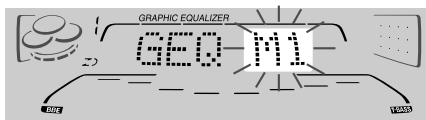
Se puede almacenar un máximo de 5 curvas de ecualización personalizadas como modos manuales M1 - M5.

1 Siga los pasos 1-4 de "Ajuste manual de una curva de ecualización nueva".

La curva creada se visualizará durante 8 segundos.

2 Pulse ENTER antes de que pasen 8 segundos.

"M 1" parpadeará en el visualizador durante 8 segundos.



- Si este paso no se completa antes de que pasen 8 segundos, pulse primero **GEQ** para visualizar "GEQ ON". Luego, antes de que pasen 4 segundos, pulse repetidamente **ENTER** hasta que parpadee "M1".

3 Gire MULTI JOG antes de que pasen 8 segundos para seleccionar uno de los modos manuales M1 - M5 donde almacenar la curva.

4 Pulse ENTER antes de que pasen 8 segundos.

La nueva curva de ecualización se almacena.

Para seleccionar la curva de ecualización almacenada
Pulse **GEQ**, y antes de que pasen 4 segundos gire **MULTI JOG** para seleccionar uno de los modos manuales M1 - M5.

Para ajustar el volumen de los altavoces de sonido ambiental

Pulse dos o tres veces **MANUAL SELECT** del control remoto. "S-L" o "S-R" se visualizará durante 4 segundos. Pulse **DOWN** o **UP** del control remoto antes de que pasen estos 4 segundos.

- El nivel **DOLBY PRO LOGIC** (página 21) y **DOLBY DIGITAL SURROUND** (página 29) de los altavoces de sonido ambiental cambiará también.

NOTA

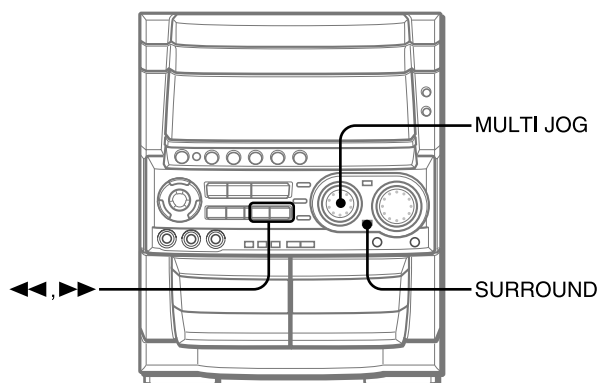
El modo DSP SURROUND se cancelará cuando:

- se cambie el nivel de ECHO.
- se active DOLBY PRO LOGIC.
- los auriculares estén enchufados.
- se seleccione 5.1 CH (página 29).

DSP SURROUND

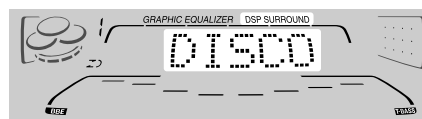
El DSP (Procesador de Señal Digital) SURROUND ajusta el tiempo de retardo, el modo de entrada y el nivel de realimentación para ofrecer un sonido ambiental resonante que le permite disfrutar de la presencia real del sonido de diferentes ambientes. Esta unidad ha sido programada con 5 modos SURROUND diferentes.

SELECCION DE UN MODO DSP SURROUND PROGRAMADO



Cinco modos de DSP SURROUND ofrecen la presencia de sonido que usted notaría en una discoteca (DISCO), en un concierto en directo (LIVE), en un estadio (STADIUM), en una sala de conciertos (HALL) o en un cine (MOVIE). (En paréntesis se muestran las indicaciones que aparecen en el visualizador.)

Pulse **SURROUND**, y antes de que pasen 4 segundos gire **MULTI JOG** o pulse repetidamente **◀** o **▶** para seleccionar el modo programado deseado.



"DSP SURROUND" aparece y el modo DSP SURROUND se visualiza cíclicamente de la forma siguiente:



Las curvas de ecualización se seleccionan automáticamente para que concuerden con los modos DSP SURROUND, y también pueden seleccionarse o desactivarse manualmente según sus preferencias.

Para visualizar el modo DSP SURROUND actual

Pulse **SURROUND**. El modo actual se visualizará durante unos 4 segundos.

Para cancelar el modo seleccionado

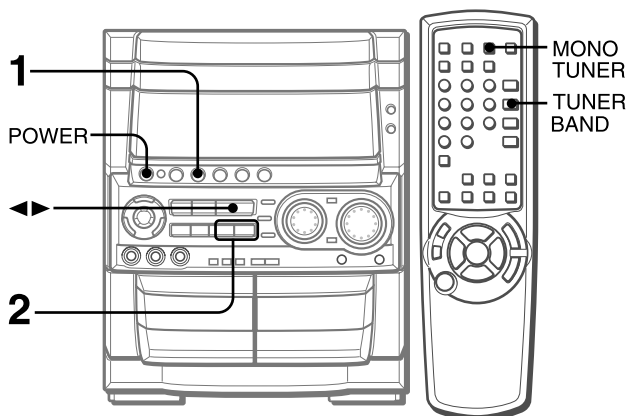
Pulse dos veces **SURROUND**. Aparece "DSP OFF" y desaparece "DSP SURROUND".

Cuando la fuente musical sea mono

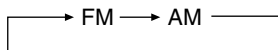
Selecione "LIVE", "STADIUM" o "MOVIE" para obtener un efecto estéreo simulado.

Cuando se seleccione "DISCO" o "HALL" no se oirá sonido procedente de los altavoces de sonido ambiental.

SINTONIZACION MANUAL



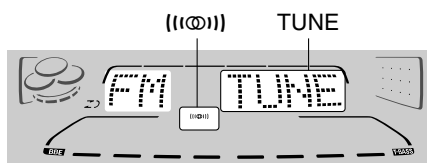
1 Pulse repetidamente TUNER/BAND para seleccionar la banda deseada.



Cuando se pulse **TUNER/BAND** mientras la alimentación esté desconectada, la alimentación se conectará directamente.

2 Pulse ◀◀ DOWN o ▶▶ UP para seleccionar una emisora.

Cada vez que pulse el botón, la frecuencia cambiará. Cuando se reciba una emisora, "TUNE" se visualizará durante 2 segundos. Durante la recepción estéreo por FM se visualizará ((Ⓜ)).



Para buscar rápidamente una emisora (Búsqueda automática)

Mantenga pulsado ◀◀ **DOWN** o ▶▶ **UP** hasta que la frecuencia empiece a cambiar rápidamente. Después de sintonizar una emisora, la búsqueda parará.

Para detener manualmente la búsqueda automática, pulse ◀◀ **DOWN** o ▶▶ **UP**.

• La búsqueda automática quizá no pare en emisoras cuyas señales sean muy débiles.

Cuando una radiodifusión estéreo por FM tenga ruido
Pulse **MONO TUNER** del control remoto para que "MONO" aparezca en el visualizador.

El ruido se reducirá, pero la recepción será mono.

Para reponer la recepción estéreo, repita lo de arriba para que desaparezca "MONO".

Para cambiar el intervalo de sintonización de AM

El ajuste predeterminado del intervalo de sintonización de AM es de 10 kHz/paso. Si utiliza esta unidad en un área donde el sistema de asignación de frecuencia es de 9 kHz/paso, cambie el intervalo de sintonización.

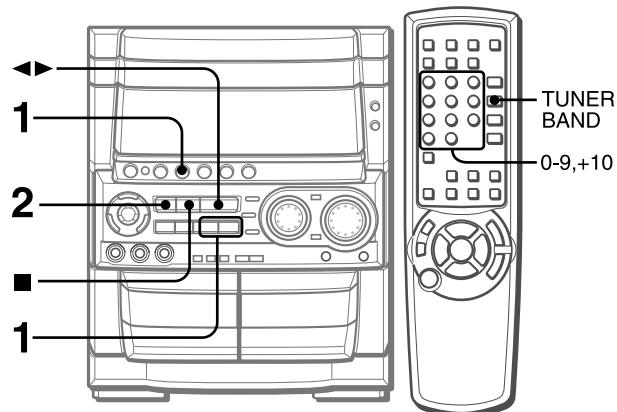
Pulse **POWER** mientras pulsa **TUNER/BAND**.

Para reponer el intervalo, repita este procedimiento.

NOTA

Cuando se cambie el intervalo de sintonización de AM, todas las emisoras preajustadas se borrarán. Las emisoras preajustadas tendrán que ajustarse de nuevo.

PREAJUSTE DE EMISORAS



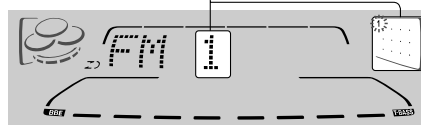
La unidad puede almacenar un total de 32 emisoras. Cuando almacene una emisora, a esa emisora se le asignará un número de preajuste. Utilice el número de preajuste para sintonizar directamente una emisora preajustada.

1 Pulse TUNER/BAND para seleccionar una banda, y pulse ◀◀ DOWN o ▶▶ UP para seleccionar una emisora.

2 Pulse ■ SET para almacenar la emisora.

A las emisoras de cada banda se les asigna un número de preajuste en orden consecutivo empezando por el 1.

Número de preajuste



3 Repita los pasos 1 y 2.

La siguiente emisora no se almacenará si ya se ha almacenado un total de 32 emisoras de preajuste de todas las bandas.

NOTA

"FULL" se visualiza si intenta almacenar más de 32 emisoras preajustadas.

SINTONIZACION MEDIANTE NUMERO DE PREAJUSTE

Utilice el control remoto para seleccionar directamente el número de preajuste.

1 Pulse TUNER BAND para seleccionar una banda.

2 Pulse los botones numerados 0-9 y +10 para seleccionar un número de preajuste.

Ejemplo:

Para seleccionar el número de preajuste 20, pulse +10, +10 y 0.

Para seleccionar el número de preajuste 15, pulse +10 y 5.

Selección de un número de preajuste en la unidad principal

Pulse **TUNER/BAND** para seleccionar una banda. Luego, pulse repetidamente ◀◀ o gire **MULTI JOG**.

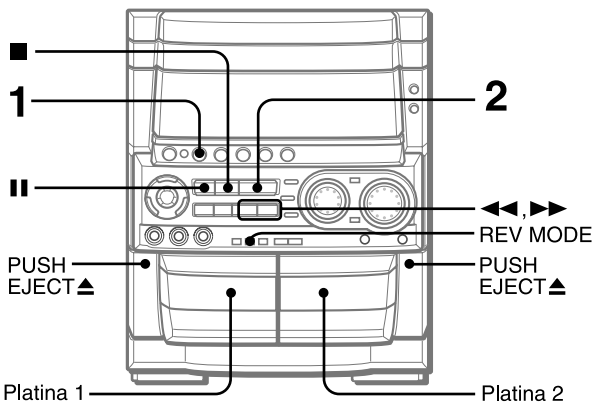
Cada vez que se pulse ◀◀ se seleccionará el siguiente número más alto.

Para borrar una emisora preajustada

Seleccione el número de preajuste de la emisora que vaya a borrar. Luego, pulse ■ **CLEAR**, y pulse ■ **SET** antes de que pasen 4 segundos.

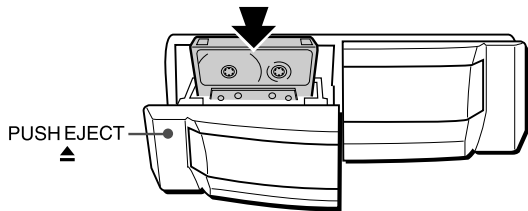
Los números de preajuste superiores de todas las demás emisoras de la banda disminuirán también en uno.

OPERACIONES BASICAS



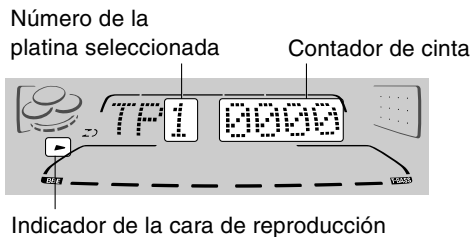
- En la platina 1, las cintas se reproducen siempre por ambas caras.
En la platina 2, podrá seleccionar un modo de inversión para reproducir una o dos caras.
- Utilice cintas tipo I (normales), tipo II (alta polarización/CrO₂) o tipo IV (metal) para la reproducción.

1 Pulse TAPE/DECK 1/2 y PUSH EJECT ▲ para abrir el portacasete.



Inserte una cinta con el lado expuesto hacia abajo. Empuje el portacasete para cerrarlo.

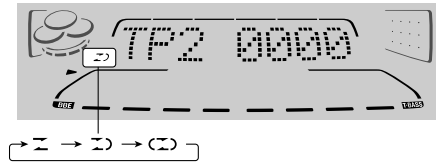
2 Pulse ◀▶ para iniciar la reproducción.



- ▶: La cara que queda hacia adelante (cara delantera) está siendo reproducida.
- ◀: La cara que queda hacia atrás (cara trasera) está siendo reproducida.

Para seleccionar un modo de inversión (platina 2 solamente)

Cada vez que pulse REV MODE, el modo de inversión cambiará.



- Para reproducir una cara solamente, seleccione ȷ.
- Para reproducir de la cara delantera a la trasera una vez solamente, seleccione ȷ.
- Para reproducir repetidamente ambas caras, seleccione ȷȷ.
- Cuando haya cintas introducidas en ambas platinas, el indicador ȷȷ del visualizador indicará la reproducción continua.

Para seleccionar una platina de reproducción

Cuando haya cintas cargadas en ambas platinas, pulse primero TAPE/DECK 1/2 para seleccionar una de las platinas. El número de la platina seleccionada se visualiza.

- Para detener la reproducción, pulse ■.
- Para hacer una pausa en la reproducción (platina 2 solamente), pulse ■■. Para reanudar la reproducción, púselo de nuevo.
- Para cambiar la cara de reproducción, pulse ◀▶ en el modo de reproducción o en el de pausa.
- Para avanzar rápidamente o rebobinar, pulse ◀◀ o ▶▶. Luego pulse ■ para detener la cinta.

Para iniciar la reproducción cuando la alimentación esté desconectada (función de reproducción directa)

Pulse TAPE/DECK 1/2. La alimentación se conectará y empezará la reproducción de la cinta insertada.

Para poner el contador de cinta a 0000

Pulse ■ CLEAR en el modo de parada. El contador también se pone en 0000 cuando se abre y se cierra el portacasete.

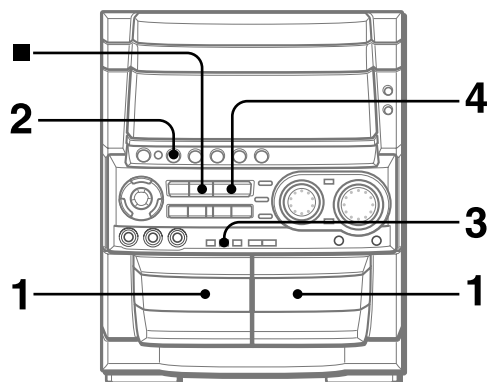
SENSOR MUSICAL

Si hay un espacio sin grabar de 4 segundos o más entre cada canción, la búsqueda del principio de la canción que esté siendo reproducida o de la siguiente canción podrá realizarse fácilmente. Pulse ◀▶ o ▶▶ durante la reproducción observando el indicador de la cara de reproducción (◀▶ o ▶▶) del visualizador. Por ejemplo, cuando pulse ▶▶ mientras se visualiza ▶, empezará a reproducirse la siguiente canción.

La función del sensor musical tal vez no pueda detectar las canciones bajo las condiciones siguientes:

- Espacios sin grabar de menos de 4 segundos entre las canciones
- Espacios sin grabar que tengan ruido
- Pasajes largos con un sonido muy bajo
- Niveles de grabación bajos en general

REPRODUCCION CONTINUA

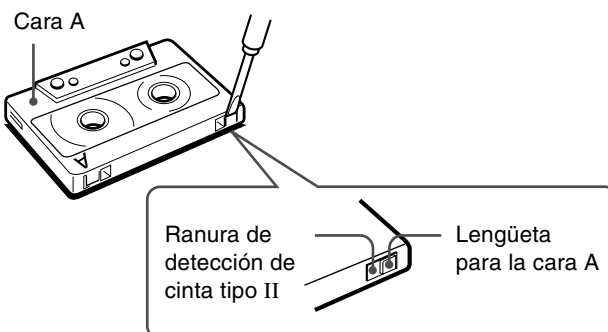


Después de terminar la reproducción en una platina, la cinta de la otra platina empezará a reproducirse sin interrupción.

- 1 Inserte cintas en las platinas 1 y 2.**
- 2 Pulse TAPE/DECK 1/2 para seleccionar la platina que vaya a realizar la reproducción en primer lugar.**
- 3 Pulse REV MODE para seleccionar ⌂.**
- 4 Pulse ◀▶ para iniciar la reproducción.**
La reproducción continuará hasta que se pulse ■.

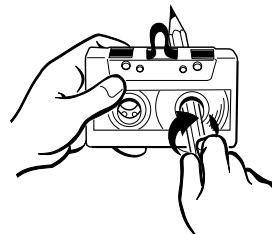
Acerca de las cintas de casete

- **Para evitar el borrado accidental**, rompa con un destornillador u otra herramienta puntiaguda las lengüetas de plástico del casete después de grabar.

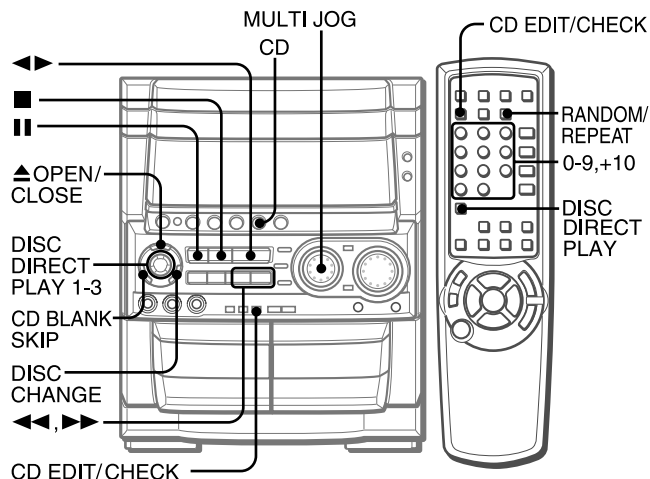


Para volver a grabar en una cinta, tape las aberturas con cinta adhesiva, etc. (En cintas tipo II, tenga cuidado para no tapar la ranura de detección de cinta tipo II.)

- **Las cintas de 120 minutos o más** son extremadamente finas y se deforman o estropean fácilmente. No son recomendadas.
- **Tense la cinta** con un lapicero o herramienta similar antes de utilizarla. La cinta floja podrá romperse o atascarse en el mecanismo.



OPERACIONES BASICAS



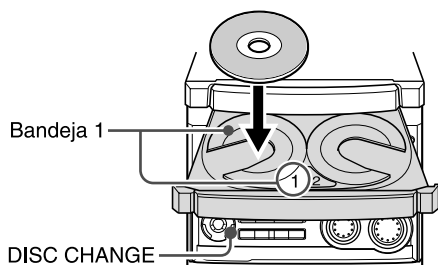
INTRODUCCION DE DISCOS

Pulse **CD**, y luego pulse **▲ OPEN/CLOSE** para abrir el compartimiento de los discos. Introduzca el(los) disco(s) con el lado de la etiqueta hacia arriba.

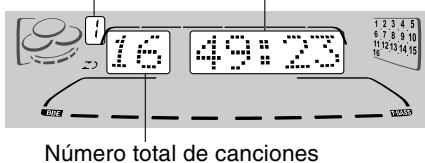
Para reproducir uno o dos discos, ponga los discos en las bandejas 1 y 2.

Para reproducir tres discos, pulse **DISC CHANGE** para girar las bandejas después de poner dos discos. Ponga el tercer disco en la bandeja 3.

Cierre el compartimiento del disco pulsando **▲ OPEN/CLOSE**.



Número de la bandeja del disco que va a ser reproducido Tiempo de reproducción total



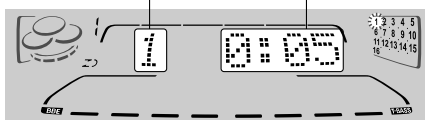
REPRODUCCION DE DISCOS

Introduzca los discos.

Para reproducir todos los discos del compartimiento de los discos, pulse **◀▶**.

La reproducción empezará por el disco de la bandeja 1.

Número de la canción que está siendo reproducida Tiempo de reproducción transcurrido



Para reproducir un disco solamente, pulse **DISC DIRECT PLAY 1-3**.

El disco seleccionado se reproducirá una vez.

Para detener la reproducción, pulse **■**.

Para hacer una pausa en la reproducción, pulse **||**. Para reanudar la reproducción, púselo de nuevo.

Para buscar un punto particular durante la reproducción, mantenga pulsado **◀▶** y suéltelo en el punto deseado.

Para saltar hasta el comienzo de una pista durante la reproducción, pulse repetidamente **◀▶** o gire **MULTI JOG**.

Para quitar discos, pulse **▲ OPEN/CLOSE**.

Para iniciar la reproducción cuando la alimentación esté desconectada (función de reproducción directa)

Pulse **CD**. La alimentación se conectará y la reproducción del(de) los) disco(s) introducido(s) empezará.

Cuando se pulse **▲ OPEN/CLOSE**, la alimentación también se conectará y el compartimiento de los discos se abrirá.

Para comprobar el tiempo restante

Durante la reproducción (excepto durante la reproducción aleatoria o programada), pulse **CD EDIT/CHECK**. El tiempo restante hasta que todas las canciones terminen de reproducirse se visualizará. Para reponer la visualización del tiempo de reproducción, repita este procedimiento.

Selección de una canción con el control remoto

1 Pulse **DISC DIRECT PLAY** y, antes de que pasen 3 segundos, pulse **1, 2 ó 3**.

2 Pulse los botones numerados **0-9** y **+10** para seleccionar una canción.

Ejemplo:

Para seleccionar la canción número 25, pulse **+10, +10** y **5**.

Para seleccionar la canción número 10, pulse **+10** y **0**.

La canción seleccionada empieza a reproducirse y la reproducción continúa hasta el final del disco.

Reemplazo de discos durante la reproducción

Mientras se reproduzca un disco, los otros discos podrán reemplazarse sin interrumpir la reproducción.

1 Pulse **DISC CHANGE**.

2 Quite los discos y ponga otros.

3 Pulse **▲ OPEN/CLOSE** para cerrar el compartimiento de los discos.

NOTA

- Cuando introduzca un disco de 8 cm, póngalo en el círculo interior de la bandeja.
- No ponga más de un disco compacto en una bandeja de disco.
- No incline la unidad habiendo discos introducidos. Hacer esto podría causar averías.
- No utilice discos compactos con formas irregulares (por ejemplo, con forma de corazón, octagonales, etc.). Éstos podrían ocasionar un fallo en el funcionamiento.
- La unidad tal vez no reproduzca un disco CD-R/RW grabado en una computadora personal o en alguna clase de grabadora CD-R/RW debido a las diferencias en los formatos de grabación.
- No ponga ninguna pegatina ni etiqueta en ninguna de las caras (cara grabable o cara de la etiqueta) de un disco CD-R/RW. Eso podría causar un fallo en el funcionamiento.

REPRODUCCION ALEATORIA/ REPETICION DE REPRODUCCION

Utilice el control remoto.

Reproducción aleatoria

Todas las canciones del disco seleccionado o de todos los discos podrán reproducirse aleatoriamente.


Repetición de reproducción

Un solo disco o todos ellos podrán reproducirse repetidamente.

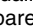
Pulse RANDOM/REPEAT.

Cada vez que se pulse, la función podrá seleccionarse cíclicamente.

Reproducción aleatoria — RANDOM se enciende en el visualizador.

Repetición de reproducción —  se enciende en el visualizador.


Reproducción aleatoria/Repetición de reproducción — RANDOM y  se encienden en el visualizador.

Cancelación — RANDOM y  desaparecen del visualizador.

Para reproducir todos los discos, pulse  para iniciar la reproducción.

Para reproducir un solo disco, pulse **DISC DIRECT PLAY** y, antes de que pasen 3 segundos, pulse **1, 2 ó 3** para iniciar la reproducción.


NOTA

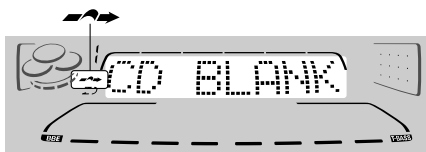
Durante la reproducción aleatoria no será posible saltar a la canción previamente reproducida con .

REPRODUCCION CON SALTO DE SECCIONES EN BLANCO

Las secciones en blanco entre las canciones grabadas de un disco compacto pueden saltarse durante la reproducción.

1 Pulse CD BLANK SKIP.


Se visualiza "CD BLANK SKIP ON" y  aparece en el visualizador.



2 Pulse para iniciar la reproducción.

Las secciones en blanco entre canciones se saltarán, y el sonido se reproducirá sin interrupción. Si una canción termina con desvanecimiento (el sonido va disminuyendo gradualmente), la parte con desvanecimiento también se saltará.

Para volver a la reproducción normal

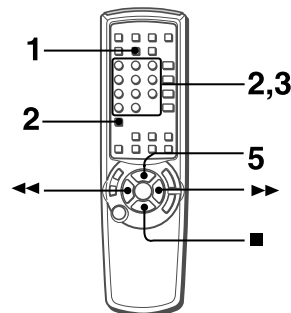
Pulse de nuevo **CD BLANK SKIP**, entonces se visualiza "CD BLANK SKIP OFF" y la visualización  desaparece.

NOTA

- Puede haber casos en los que la REPRODUCCION CON SALTO DE SECCIONES EN BLANCO no funcionará correctamente.
- La REPRODUCCION CON SALTO DE SECCIONES EN BLANCO se cancela automáticamente cuando se realiza la GRABACION CON EDICION AI (página 19), la GRABACION CON EDICION PROGRAMADA (página 20) la grabación durante la REPRODUCCION PROGRAMADA (explicado a continuación) o la REPRODUCCION ALEATORIA (explicado anteriormente).

REPRODUCCION PROGRAMADA

Se podrá programar un máximo de 30 canciones de cualquiera de los discos introducidos.



Utilice el control remoto.

- 1 Pulse PRGM dos veces en el modo de parada.**
"PRGM" se visualiza.



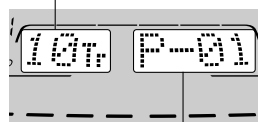
- Cuando **PRGM** se pulse una vez en el paso 1, la unidad se pondrá en el modo PROGRAMA DE KARAOKE (página 24).
- 2 Pulse DISC DIRECT PLAY y, antes de que pasen 3 segundos, pulse 1, 2 ó 3 para seleccionar un disco.**
Vaya al paso siguiente cuando la bandeja deje de girar.
 - 3 Pulse los botones numerados 0-9 y +10 para programar una canción.**

Ejemplo:

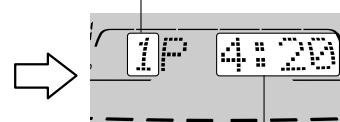
Para seleccionar la canción número 25, pulse **+10, +10 y 5**.
Para seleccionar la canción número 10, pulse **+10 y 0**.

Número de la canción seleccionada

Número total de canciones seleccionadas



Número de programa

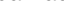



Tiempo de reproducción total de las canciones seleccionadas

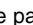
- 4 Repita los pasos 2 y 3 para programar otras canciones.**

- 5 Pulse  para iniciar la reproducción.**

Para comprobar el programa

Cada vez que se pulse  o  en el modo de parada, se visualizará un número de disco, un número de canción y un número de programa.

Para borrar el programa

Pulse  **CLEAR** en el modo de parada.


Para añadir canciones al programa

Repita los pasos 2 y 3 en el modo de parada. La canción se programará después de la última canción.

Para cambiar las canciones programadas

Borre el programa y repita de nuevo todos los pasos.

Para reproducir repetidamente las canciones programadas

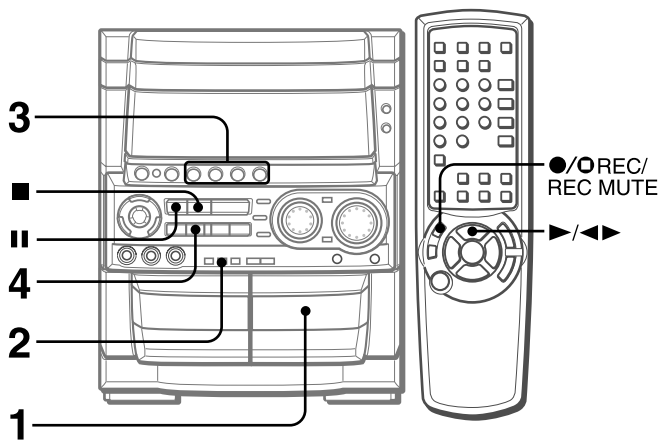
Después de programar las canciones, pulse repetidamente **RANDOM/REPEAT** hasta que aparezca  en el visualizador.

NOTA

- Durante la reproducción programada no se puede realizar la reproducción aleatoria, comprobar el tiempo restante y seleccionar un disco o una canción. "Can't USE" se visualizará si intenta seleccionar una canción.
- "FULL" se visualizará si usted intenta programar más de 30 canciones.

GRABACION BASICA

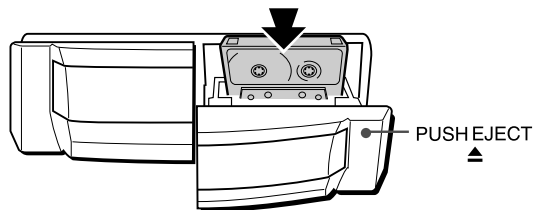
Esta sección explica cómo grabar del sintonizador, del reproductor de discos compactos o de un equipo exterior.



Preparación

- Para la grabación, utilice cintas tipo I (normal) y tipo II (alta polarización/CrO₂).
- Ponga la cinta en el punto donde vaya a iniciar la grabación.

- 1 Inserte la cinta que vaya a grabar en la platina 2.**
Inserte la cinta con la cara que vaya a grabar en primer lugar hacia afuera de la unidad.



- 2 Pulse REV MODE para seleccionar el modo de inversión.**

Para grabar en una cara solamente, seleccione Σ .
Para grabar en ambas caras, seleccione Σ) o $(\Sigma$.

- 3 Pulse el botón de función (TUNER/BAND, VIDEO/AUX/5.1CH, CD o MD) y prepare la fuente de sonido de la que vaya a grabar.**

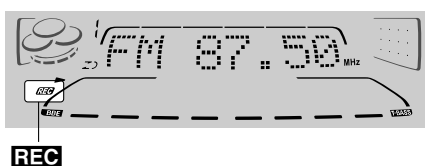
Para grabar de un disco compacto, pulse CD e introduzca el(los) disco(s).

Para grabar de una radiodifusión, pulse TUNER/BAND y sintonice una emisora.

Para grabar de una fuente conectada, pulse VIDEO/AUX/5.1CH o MD.

- 4 Pulse ● REC/REC MUTE para iniciar la grabación.**

Cuando grabe de una fuente conectada, inicie la reproducción en esa fuente.



Cuando la función seleccionada sea CD, la reproducción y la grabación empezarán simultáneamente.

Para detener la grabación, pulse ■.

Para hacer una pausa en la grabación, pulse II . (Aplicable cuando la fuente es TUNER, VIDEO/AUX/5.1CH o MD.) Para reanudar la grabación, vuelva a pulsar el botón.

Para iniciar la grabación con el control remoto

Pulse primero ●/O REC/REC MUTE y luego pulse $\blacktriangleright/\blacktriangleleft$ antes de que pasen 2 segundos.

Ajuste de sonido durante la grabación

El control VOLUME no afecta a la grabación, mientras que BBE sí afecta a la grabación.

NOTA

Cuando grabe una fuente conectada externamente a través de las tomas VIDEO/AUX o MD, el punto pequeño cerca de "C" se encenderá continuamente en el visualizador si el nivel de entrada es demasiado alto. En este caso, detenga la grabación y ajuste el nivel de entrada hasta que el punto se encienda intermitentemente (página 28).

INSERCIÓN DE ESPACIOS SIN GRABAR

La inserción de espacios sin grabar de 4 segundos le permite activar la función del sensor musical. (Puede aplicarse cuando la fuente de sonido es TUNER/BAND, VIDEO/AUX/5.1CH o MD).

- 1 Pulse ● REC/REC MUTE durante la grabación o en el modo de pausa de grabación.**

REC parpadeará en el visualizador durante 4 segundos y se creará un espacio sin grabar de 4 segundos. Luego, la platina entrará en el modo de pausa de grabación.

- 2 Pulse II para reanudar la grabación.**

Para insertar un espacio en blanco de menos de 4 segundos, pulse de nuevo ● REC/REC MUTE mientras parpadea **REC**.

Para insertar espacios en blanco de más de 4 segundos, después de que la platina entre en el modo de pausa de grabación, pulse de nuevo ● REC/REC MUTE.

Cada vez que se pulse el botón se añadirá un espacio en blanco de 4 segundos.

NOTA

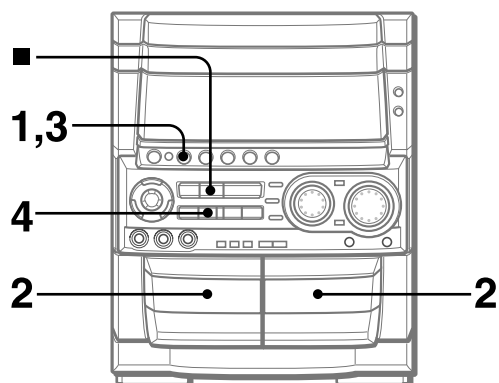
Si se intenta grabar en una cinta cuyo casete tiene las lengüetas de plástico rotas se visualizará "Can't REC".

Para borrar una grabación

Asegúrese de que el micrófono no esté conectado a esta unidad. Ponga el volumen del micrófono y el nivel del eco en OFF (página 23).

- 1** Introduzca la cinta que vaya a borrar en la platina 2 y pulse **TAPE/DECK 1/2** para visualizar "TP 2".
- 2** Ponga la cinta en el punto donde vaya a empezar a borrar.
- 3** Ponga el modo de inversión pulsando **REV MODE**.
- 4** Pulse ● REC/REC MUTE para iniciar el borrado.

COPIADO MANUAL DE UNA CINTA



NOTA

- Ponga la cinta en el punto donde vaya a empezar la grabación.
- El modo de inversión se ajusta automáticamente a Σ .
Tenga en cuenta que la grabación se hará en una cara de la cinta solamente.

1 Pulse TAPE/DECK 1/2.

2 Inserte la cinta original en la platina 1 y la cinta que vaya a grabar en la platina 2.

Inserte las cintas con las caras que vaya a reproducir o grabar hacia afuera de la unidad.

3 Pulse TAPE/DECK 1/2 para seleccionar la platina 1.

"TP 1" se visualizará.

4 Pulse ● REC/REC MUTE para iniciar la grabación.

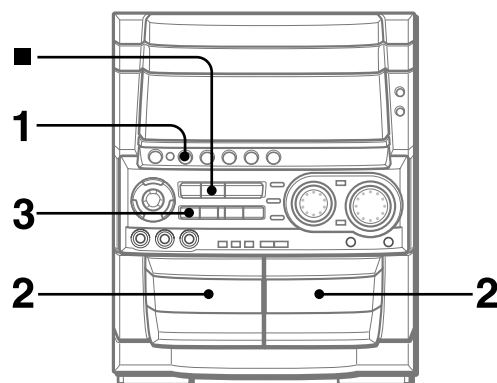
La reproducción y la grabación empezarán simultáneamente.



Para detener el copiado

Pulse ■.

COPIADO DE TODA LA CINTA



Esta función le permitirá hacer copias exactas de ambas caras de la cinta original. La cara de inversión de ambas cintas empezará simultáneamente tan pronto como termine de invertirse la cinta más larga.

NOTA

- La copia no empieza desde un punto ubicado en medio de la cinta.
- El modo de inversión se pone automáticamente en Σ .

1 Pulse TAPE/DECK 1/2.

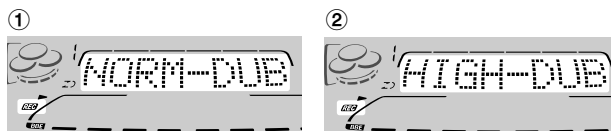
2 Inserte la cinta original en la platina 1 y la cinta que vaya a grabar en la platina 2.

Inserte cada cinta con la cara que vaya a ser reproducida o grabada hacia afuera de la unidad.

3 Pulse una o dos veces SYNC DUB para iniciar la grabación.

① Para grabar a velocidad normal, púselo una vez para visualizar NORM-DUB.

② Para grabar a alta velocidad, púselo dos veces para visualizar HIGH-DUB.



Las cintas se rebobinan hasta el principio de las caras delanteras y comienza la grabación.

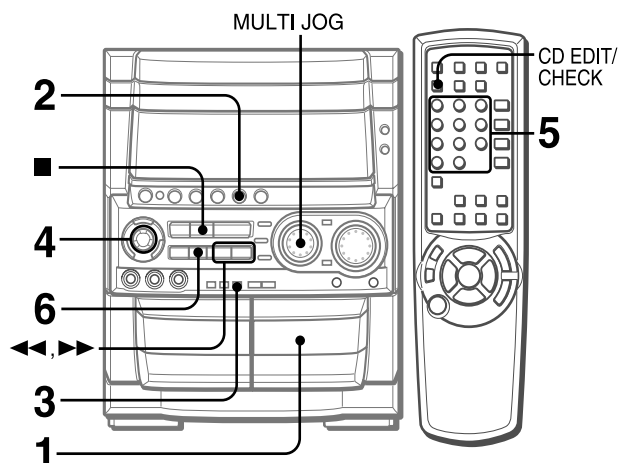
Para detener el copiado

Pulse ■.

NOTA

La grabación no empezará si las lengüetas de prevención de borrado de ambos lados de la cinta están rotas.

GRABACION CON EDICION AI



La función de grabación con edición AI permite grabar discos compactos sin preocuparse de la duración de la cinta y de las canciones. Cuando se inserte un disco compacto, la unidad calculará automáticamente la duración total de las canciones. En caso de ser necesario, el orden de las canciones cambiará para que ninguna de ellas quede cortada.

(AI: Inteligencia Artificial)

NOTA

La grabación con edición AI no empezará desde un punto que se encuentre en medio de la cinta. La cinta deberá grabarse desde el principio de cada cara.

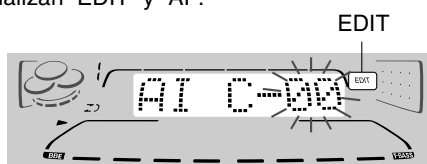
1 Inserte la cinta en la platina 2.

Inserte la cinta con la cara que vaya a grabar en primer lugar hacia afuera de la unidad.

2 Pulse CD e introduzca el(los) disco(s).

3 Pulse una vez CD EDIT/CHECK.

Se visualizan "EDIT" y "AI".



• Cuando se visualice "PRGM", pulse CD EDIT/CHECK.

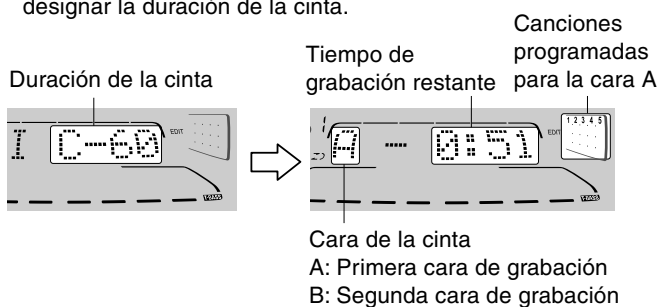
4 Pulse DISC DIRECT PLAY 1-3 para seleccionar un disco.

5 Pulse los botones numerados 0-9 del control remoto para designar la duración de la cinta.

Se puede especificar una duración de 10 a 99 minutos.

Ejemplo: Cuando utilice una cinta de 60 minutos, pulse 6 y 0. En unos pocos segundos, las canciones que van a ser grabadas en cada cara de la cinta serán determinadas.

• ◀◀, ▶▶ o MULTI JOG también se pueden utilizar para designar la duración de la cinta.



6 Pulse ● REC/REC MUTE para iniciar la grabación de la primera cara.

La cinta se rebobinará hasta el principio de la primera cara, el segmento guía avanzará durante 10 segundos y la grabación empezará. Cuando termine de grabarse la cara delantera (cara A) empezará la grabación de la cara trasera (cara B).

Para detener la grabación

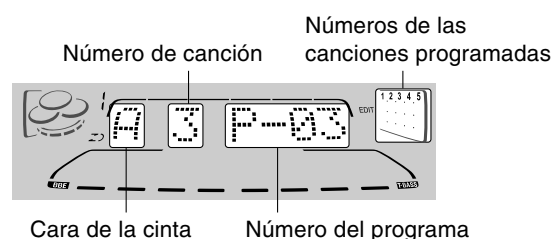
Pulse ■. La grabación y la reproducción del disco compacto se pararán simultáneamente.

Para borrar el programa de edición

Pulse dos veces ■ CLEAR para que "EDIT" desaparezca del visualizador.

Para comprobar el orden de los números de las canciones programadas

Antes de grabar, pulse CD EDIT/CHECK para seleccionar la cara A o B, y pulse repetidamente ◀◀ o ▶▶.



Para añadir canciones de otros discos a un programa de edición

Si queda tiempo en la cinta después del paso 5, usted podrá añadir canciones de otros discos que se encuentren en el compartimiento de los discos compactos.

1 Pulse CD EDIT/CHECK para seleccionar la cara A o la B.

2 Pulse DISC DIRECT PLAY 1-3 para seleccionar un disco.

3 Pulse los botones numerados del control remoto para seleccionar canciones.

Una canción cuyo tiempo de reproducción sea superior al tiempo restante no podrá ser programada.

4 Repita los pasos 2 y 3 para añadir más canciones.

Tiempo de las cintas de casete y tiempo de edición

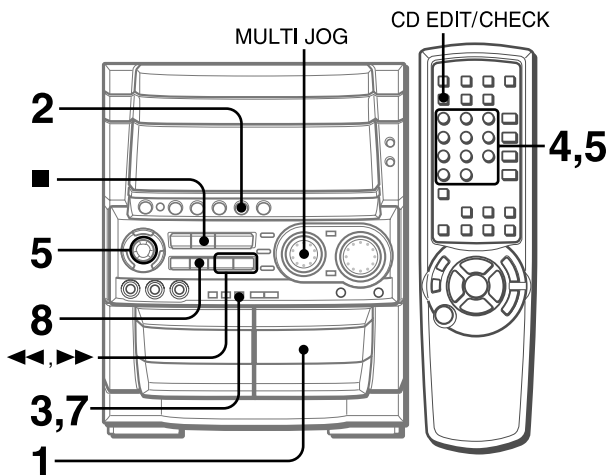
El tiempo real de grabación de los casetes es por lo general un poco más largo que el tiempo de grabación especificado en sus etiquetas. Esta unidad puede programar canciones para utilizar ese tiempo extra. Cuando el tiempo total de grabación sea un poco más largo que el tiempo de grabación especificado en el casete, después de la edición, el visualizador mostrará el tiempo extra (sin un signo menos) en lugar del tiempo restante de la cinta (con el signo menos).

NOTA

• La función de grabación con edición AI no se podrá utilizar con discos que tengan 31 canciones o más. Si se intenta hacer esto se visualizará "TR OVER".

• La grabación no podrá realizarse si están rotas las lengüetas de prevención de borrado de ambos lados de la cinta.

GRABACION CON EDICION PROGRAMADA



En la función de grabación con edición programada, las canciones pueden programarse mientras se comprueba el tiempo restante de cada cara de la cinta.

NOTA

La grabación con edición programada no empezará desde un punto ubicado en medio de la cinta. La cinta deberá grabarse desde el principio de una de las caras.

1 Inserte la cinta en la platina 2.

Inserte la cinta con la cara que vaya a grabar en primer lugar hacia afuera de la unidad.

2 Pulse CD e introduzca el(los) disco(s).

3 Pulse dos veces CD EDIT/CHECK.

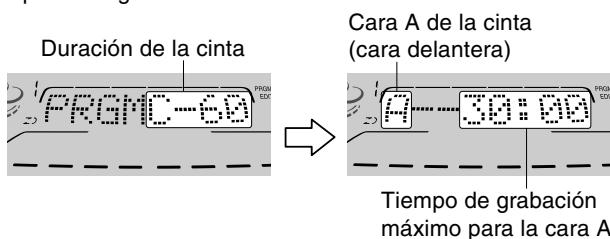
“EDIT” y “PRGM” se visualizarán.

- Cuando se visualice “AI”, pulse de nuevo CD EDIT/CHECK.

4 Pulse los botones numerados del control remoto para designar la duración de la cinta.

Se puede especificar una duración de 10 a 99 minutos.

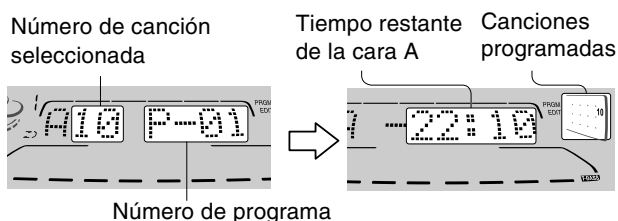
- ◀◀, ▶▶ o MULTI JOG también se encuentran disponibles para designar la duración de la cinta.



5 Pulse DISC DIRECT PLAY 1-3 para seleccionar un disco.

Luego, pulse los botones numerados 0-9 y +10 del control remoto para programar una canción.

Ejemplo: Para seleccionar la canción número 10 del disco 2, pulse DISC DIRECT PLAY 2, y luego pulse +10 y 0.



6 Repita el paso 5 para el resto de las canciones para la cara A.

Una canción cuyo tiempo de grabación sea superior al tiempo restante no podrá ser programada.

7 Pulse CD EDIT/CHECK para seleccionar la cara B y programe las canciones para la cara B.

Después de confirmar que “B” aparezca en el visualizador, repita el paso 5.

Cara B de la cinta (cara trasera)



8 Pulse ● REC/REC MUTE para iniciar la grabación.

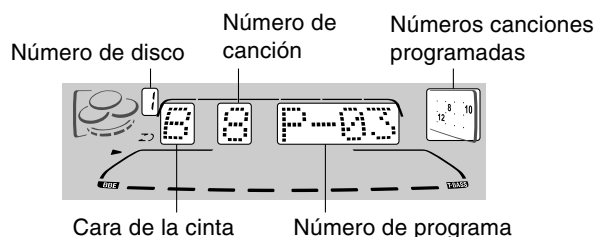
La cinta se rebobina hasta el principio de la cara delantera, el segmento guía avanza durante 10 segundos y empieza la grabación. Cuando termine de grabarse la cara delantera (A) empezará la grabación de la cara trasera (B).

Para detener la grabación

Pulse ■. La grabación y la reproducción del disco compacto pararán simultáneamente.

Para comprobar el orden de los números de las canciones programadas

Antes de grabar, pulse CD EDIT/CHECK para seleccionar la cara A o B, y pulse repetidamente ◀◀ o ▶▶.



Para cambiar el programa de cada cara

Pulse CD EDIT/CHECK para seleccionar la cara A o B, y pulse ■ CLEAR para borrar el programa de la cara seleccionada. Luego vuelva a programar canciones.

Para borrar el programa de edición

Pulse dos veces ■ CLEAR para que “EDIT” desaparezca del visualizador.

NOTA

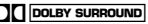
- Se puede programar un máximo de 30 canciones de cualquiera de los discos insertados.
- “FULL” se visualizará si usted intenta programar más de 30 canciones.
- La grabación no podrá realizarse si están rotas las lengüetas de prevención de borrado de ambos lados de la cinta.

DOLBY PRO LOGIC

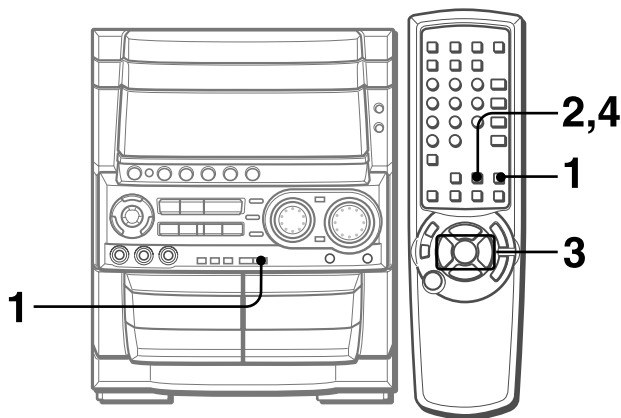
El sistema DOLBY PRO LOGIC, el altavoz central y los altavoces traseros (suministrados) garantizan el sonido completo de un cine en su hogar. Cuando reproduzca discos láser o programas de vídeo que hayan sido grabados con Dolby Surround, el oyente se verá rodeado de un sonido extraordinariamente real que creará un nuevo nivel de entretenimiento audiovisual.

El control independiente de los cinco canales de sonido permitirá al oyente disfrutar del mismo tipo de reproducción de sonido que el de los cines. Las voces se reproducirán en el campo de sonido delantero y central, mientras que los sonidos ambientales, como los de los automóviles y los de la gente, se reproducirán a todo alrededor del oyente, para vivir una experiencia de audio/vídeo increíble. Lea atentamente lo siguiente para "sintonizar" la salida del sistema de forma que se adapte a las características del lugar de escucha.

Compruebe lo siguiente:

- Antes de utilizar DOLBY PRO LOGIC, ajuste el equilibrio apropiado de los niveles de sonido de los altavoces.
- Asegúrese de que los altavoces suministrados estén conectados e instalados correctamente. (Consulte las páginas 4 y 5.)
- Asegúrese de que el televisor y la unidad de vídeo estén conectados correctamente. (Consulte las páginas 4 y 5.)
- Asegúrese de que el disco láser, la cinta de vídeo, etc. soporten .

AJUSTE DEL EQUILIBRIO DE SONIDO DE LOS ALTAVOCES



La unidad está equipada con un generador de señal de prueba incorporado, llamado secuenciador de ruido, para ajustar fácilmente el equilibrio de los cinco canales. El secuenciador da salida a una señal de ruido que "viaja" de canal a canal, permitiendo que el sencillo ajuste del nivel de sonido logre, en la posición de escucha, la misma sonoridad aparente de cada canal.

Utilice el control remoto.

1 Pulse DOLBY PRO LOGIC para seleccionar "NORMAL".

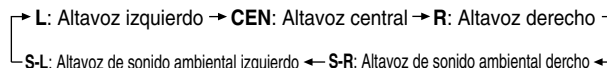
"NORMAL" se visualiza.

Si "PHANTOM" o "3 STEREO" se visualiza, pulse repetidamente DOLBY PRO LOGIC hasta seleccionar "NORMAL".

2 Pulse MANUAL SELECT y manténgalo pulsado durante unos cuatro segundos hasta que parpadee "L".

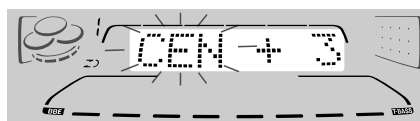


Se envía una señal de ruido a cada canal en el orden siguiente.



3 Ajuste el nivel del sonido del altavoz central y de los altavoces de sonido ambiental.

Mientras se visualiza "CEN", "S-R" o "S-L", pulse ◀◀ DOWN o ▶▶ UP para ajustar el volumen del altavoz central y de cada uno de los altavoces de sonido ambiental de forma que coincida con el nivel de los altavoces delanteros.



Para ajustar el equilibrio entre los altavoces delanteros derecho e izquierdo, consulte la página 9. Ahora, el modo DOLBY PRO LOGIC deberá cancelarse pulsando DOLBY PRO LOGIC hasta que se visualice "OFF".

4 Pulse de nuevo MANUAL SELECT para detener la señal de ruido.

NOTA

- Si se cambia el nivel de los altavoces de sonido ambiental o del altavoz central de DOLBY PRO LOGIC, el del sistema DSP SURROUND (página 11) y el de DOLBY DIGITAL SURROUND (página 29) cambiará también.
- Mientras se visualiza "S-L" o "S-R", ambos altavoces de sonido ambiental dan salida a la señal de ruido juntos. Sin embargo, sólo el nivel del sonido de uno de los altavoces de sonido ambiental visualizado como "S-L" o "S-R" podrá ajustarse.
- Cuando el secuenciador dé salida a una señal de ruido, tal vez se oiga una sonido "clic" procedente de los altavoces debido a las características del circuito. Esto no significa ningún fallo en el funcionamiento.

Acerca de los canales

Los altavoces delanteros derecho e izquierdo crean el efecto estéreo.

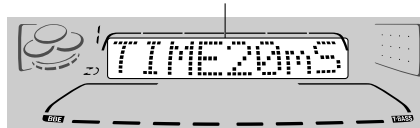
El altavoz central ayuda a lograr un posicionamiento de sonido exacto sobre un amplio campo de sonido.

Los altavoces de sonido ambiental montados en la parte trasera realzan la "profundidad" del campo de sonido.

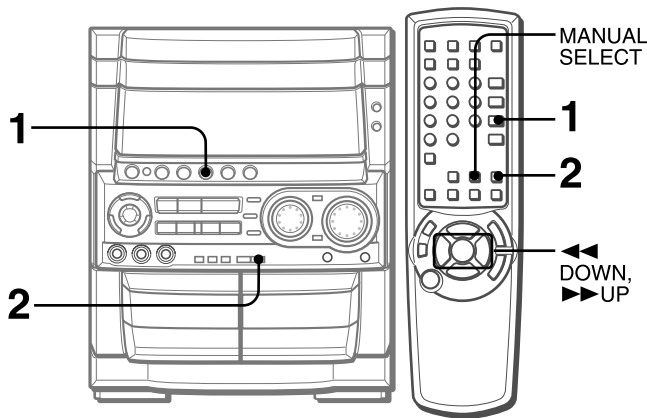
Para cambiar el tiempo de retardo

Los altavoces de sonido ambiental reproducen los sonidos fracciones de segundo después que los altavoces delanteros. El retardo está ajustado inicialmente a 20 ms (milisegundos). Para cambiar este tiempo de retardo estándar, pulse repetidamente MANUAL SELECT del control remoto hasta que se visualice "TIME". Luego, pulse ◀◀ DOWN o ▶▶ UP. Cada vez que se pulse el botón, el tiempo de retardo cambiará como se muestra más abajo:

15 mS ↔ 20 mS ↔ 30 mS



REPRODUCCION CON DOLBY PRO LOGIC



1 Pulse VIDEO/AUX/5.1CH y empiece a reproducir la fuente de vídeo.

Se visualiza "VIDEO".

Si se visualiza "5.1 ch IN", vuelva a pulsar VIDEO/AUX/5.1CH.

2 Pulse DOLBY PRO LOGIC.

Se seleccionará "NORMAL" y el sonido de reproducción tendrá el efecto DOLBY PRO LOGIC.

Para cancelar el modo Dolby Pro Logic

Pulse repetidamente DOLBY PRO LOGIC hasta que se visualice "OFF".

Para cambiar los niveles de sonido durante la reproducción

Después de ajustar el equilibrio con el secuenciador de ruido, los niveles de sonido del altavoz central y de cada uno de los altavoces de sonido ambiental pueden ajustarse durante la reproducción de discos láser o programas de vídeo.

1 Pulse repetidamente **MANUAL SELECT** del control remoto para seleccionar "CEN" (altavoz central), "S-L" (altavoz de sonido ambiental izquierdo) o "S-R" (altavoz de sonido ambiental derecho).

2 Mientras se visualiza "CEN" "S-L" o "S-R", pulse ◀◀ **DOWN** o ▶▶ **UP** del control remoto para ajustar el volumen.

OTROS MODOS DOLBY PRO LOGIC

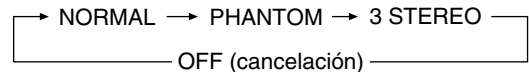
Además del modo NORMAL, esta unidad tiene también los modos PHANTOM y 3 STEREO.

Modo PHANTOM: Utilice este modo cuando no esté conectado el altavoz central. Las señales del altavoz central saldrán por los altavoces derecho e izquierdo.

Modo 3 STEREO: Utilice este modo cuando no estén conectados los altavoces de sonido ambiental. Este modo reproduce el sonido de los altavoces traseros por los altavoces delanteros.

Para seleccionar PHANTOM o 3 STEREO

Pulse repetidamente **DOLBY PRO LOGIC** hasta que se visualice el modo DOLBY PRO LOGIC deseado. El modo DOLBY PRO LOGIC se visualizará cíclicamente de la forma siguiente.



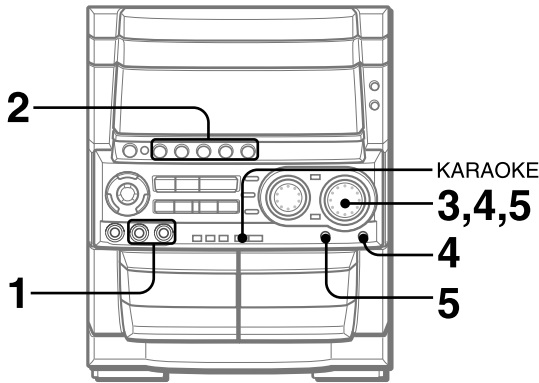
Para ajustar el equilibrio de los niveles de sonido de los altavoces conectados

Realice los pasos 2 a 4 de "AJUSTE DEL EQUILIBRIO DE SONIDO DE LOS ALTAVOCES".

NOTA

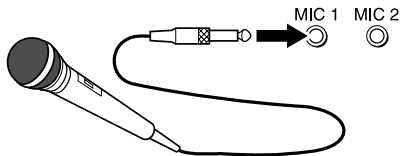
- Dependiendo de la fuente de sonido y/o de las condiciones de escucha, tal vez no se obtenga un efecto de sonido ambiental aunque DOLBY PRO LOGIC esté activado.
- El efecto completo de DOLBY PRO LOGIC no se podrá obtener cuando se utilicen programas que no tengan la marca . En este caso, utilice el sistema DSP SURROUND. (Consulte la página 11.)
- DOLBY PRO LOGIC se cancela automáticamente cuando:
 - Se cambia el nivel de ECHO.
 - Se activa el sistema DSP SURROUND o BBE.
 - Se conectan auriculares.
 - Se activa la función de Karaoke.
 - Se selecciona 5.1 CH (página 29).
- Ponga el volumen de microfono en OFF cuando DOLBY PRO LOGIC este activado. De lo contrario, el sonido DOLBY PRO LOGIC no podrá ser reproducido correctamente.

MEZCLA MICROFONICA



A esta unidad podrán conectarse dos micrófonos (no suministrados), permitiéndole así cantar con el acompañamiento de las fuentes musicales. Utilice micrófonos con clavijas estándar (6,3 mm ø).

1 Conecte sus micrófonos a las tomas MIC 1 y MIC 2.



2 Pulse uno de los botones de función para seleccionar la fuente de sonido que vaya a ser mezclada y luego reproduzca.

3 Ajuste el volumen y el tono de la fuente de sonido.

4 Pulse MIC y gire VOLUME antes de que pasen 4 segundos para ajustar el volumen de los micrófonos.

El volumen de los micrófonos se puede seleccionar entre 1 y MAX (7) u OFF (cancelación).

El volumen de ambos micrófonos se ajustará simultáneamente.

5 Pulse ECHO y gire VOLUME antes de que pasen 4 segundos para ajustar el nivel de eco.

El nivel de eco se puede seleccionar entre 1 y MAX (7) u OFF (cancelación).

Para cambiar el tiempo de retardo del eco

Mantenga pulsado **ECHO** estando activada la función de eco. "L" (largo) y "M" (medio) se visualizarán alternativamente. Suelte el botón en la posición deseada.

Para grabar el sonido de los micrófonos mezclado con el sonido de la fuente

Siga el procedimiento de grabación de la fuente de sonido (consulte la página 17).

SYNC DUB no se podrá utilizar para grabar la mezcla.

Cuando no utilice los micrófonos

Ponga el volumen de los micrófonos y el nivel de eco en OFF y desconecte los micrófonos de las tomas **MIC**.

NOTA

- Cuando se cambie el nivel de ECHO, el modo DSP SURROUND y DOLBY PRO LOGIC se cancelarán automáticamente.
- Cuando se active MIC o ECHO estando seleccionada 5.1 CH (página 29), 5.1 CH cambiará a VIDEO.
- Si un micrófono se pone demasiado cerca de los altavoces quizá se produzca un ruido de aullido. En este caso, separe el micrófono de los altavoces o disminuya el volumen del micrófono.

- Si el sonido de los micrófonos se pone a un nivel demasiado alto quizá se distorsione. En este caso, disminuya el volumen de los micrófonos.
- Cuando se cambie la función, el ajuste de volumen de los micrófonos y el ajuste de volumen del eco se cancelarán.

Micrófonos recomendados

Se recomienda utilizar micrófonos tipo unidireccional para evitar el aullido. Póngase en contacto con su concesionario Aiwa para que le dé los detalles.

FUNCIONES DE DESVANECIMIENTO DE VOZ/MULTIPLEX

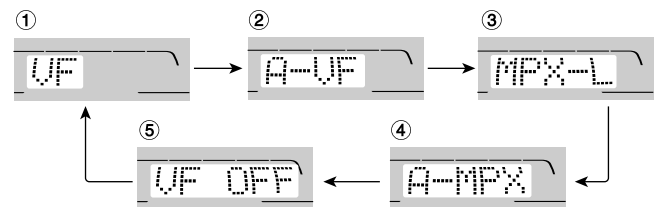
Esta unidad puede utilizar discos o cintas como fuentes de Karaoke.

Utilice la función de desvanecimiento de voz para discos o cintas normales.

Utilice la función de múltiplex para discos o cintas de audio múltiplex.

Pulse repetidamente KARAOKE para seleccionar la función de desvanecimiento de voz o de múltiplex.

Cada vez que se pulse **KARAOKE**, una de las funciones siguientes se seleccionará en orden.



① Desvanecimiento de voz

La voz del cantante se hace más suave que la del acompañamiento.

② Desvanecimiento de voz automático

La voz del cantante se hace más suave sólo mientras hay una entrada de audio por el micrófono.

③ Múltiplex

Sólo se oye el sonido del canal izquierdo por ambos altavoces, y el sonido del canal derecho se silencia.

④ Múltiplex automático

El sonido del canal izquierdo se oye por ambos altavoces, y el sonido del canal derecho se silencia sólo mientras hay una entrada de audio por el micrófono.

⑤ Cancelación

Para cambiar el ajuste del retardo de tiempo en las funciones de desvanecimiento de voz automático y de múltiplex automático

La voz silenciada del cantante podrá reponerse más rápidamente.

Cuando se seleccione el desvanecimiento de voz automático o múltiplex automático, "A-VF" o "A-MPX" se visualizará durante 3 segundos y cambiará al nombre de la función seleccionada. Después de visualizarse el nombre de la función seleccionada, mantenga pulsado **KARAOKE** hasta que se visualice "FAST". Para volver al ajuste inicial, seleccione SLOW. Cuando se desconecte la alimentación se repondrá SLOW.

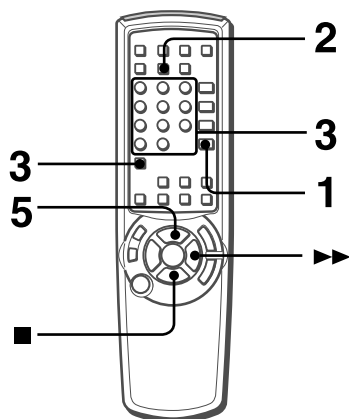
Para cambiar el canal audible en la función de múltiplex

Cuando se seleccione múltiplex, "MPX-L" se visualizará durante 3 segundos y cambiará al nombre de la función seleccionada. Después de visualizarse el nombre de la función seleccionada, mantenga pulsado **KARAOKE** hasta que se visualice MPX-R. Para volver al ajuste inicial, seleccione MPX-L. Cuando se desconecte la alimentación se repondrá MPX-L.

NOTA

- Las funciones de Karaoke tal vez no funcionen correctamente con las clases de discos compactos o cintas siguientes:
 - Discos o cintas con sonido mono
 - Discos o cintas grabados con ecos fuertes
 - Discos o cintas con la parte vocal grabada en el lado derecho o izquierdo del sonido
- Mientras la función de Karaoke esté activada, la salida de sonido será mono.
- Cuando se cambie la función, la función de Karaoke se cancelará.

PROGRAMA DE KARAOKE

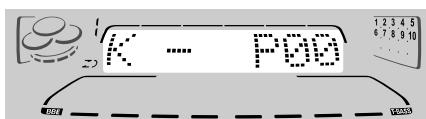


Antes o durante la reproducción de discos compactos, usted podrá reservar un máximo de 15 canciones para reproducirlas después de la canción que esté siendo reproducida. Cada reserva se borrará cuando termine de reproducirse la canción.

Utilice el control remoto.

1 Pulse **CD** e introduzca los discos.

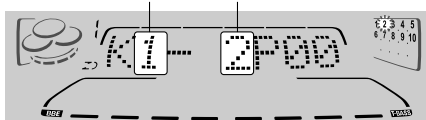
2 Pulse **PRGM** una vez.



3 Pulse **DISC DIRECT PLAY** y, antes de que pasen **3 segundos**, pulse **1, 2 ó 3** para seleccionar un disco.

Luego, pulse los botones numerados **0-9** y el botón **+10** para programar una canción.

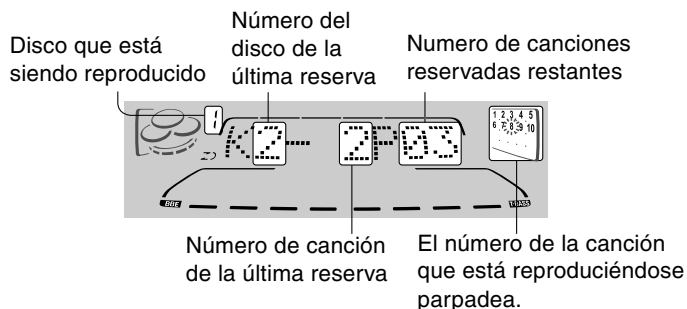
Número de disco reservado Número de canción reservada



4 Repita el paso 3 para reservar otras canciones.

5 Pulse **◀▶** para iniciar la reproducción.

Después de reproducirse una canción, ésta se borrará del programa.



Para añadir una reserva durante la reproducción

Repita el paso 3.

Para comprobar las canciones reservadas

Pulse repetidamente **CD EDIT/CHECK**. Cada vez que lo pulse, el número del disco y el número de la canción se visualizarán en el orden en el que fueron reservados.

Para detener la reproducción

Pulse **■**.

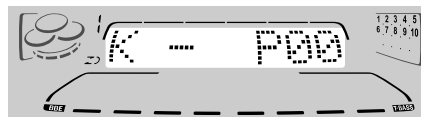
Cuando pulse **◀▶**, la reproducción empieza de nuevo desde la última canción.

Para saltar una canción

Pulse **▶▶**. La canción saltada se borrará del programa.

Para borrar todas las reservas

Pulse repetidamente **▶▶** hasta que se visualice "K - P00".



Púlselo una vez más para cancelar programas de Karaoke. La visualización volverá a ser la de la reproducción de discos compactos.

NOTA

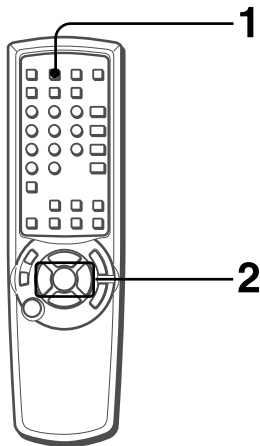
• Si el número de la canción reservada no existe en el disco seleccionado, la unidad parará la reproducción y la visualización parpadeará.

En este caso, pulse **▶▶** para omitir esa canción. Y luego pulse **◀▶** para iniciar la reproducción con la siguiente canción reservada.

• Cuando se pulse repetidamente **PRGM** en el paso 2, "PRGM" se visualizará y la unidad se pondrá en el modo de reproducción programada de disco compacto (página 16).

Para cancelar la reproducción programada, pulse **■ CLEAR**.

AJUSTE DEL TEMPORIZADOR PARA DORMIR



La unidad se podrá apagar automáticamente después de transcurrido un tiempo especificado.

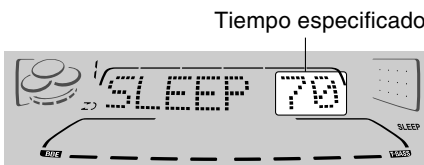
Utilice el control remoto.

1 Pulse SLEEP.



2 Antes de que pasen 4 segundos, pulse ◀◀ DOWN o ▶▶ UP para especificar el tiempo tras el cual se desconectará la alimentación.

El tiempo cambia entre 5 y 240 minutos en pasos de 5 minutos. En lugar de MULTI JOG también puede utilizarse ◀◀ o ▶▶.



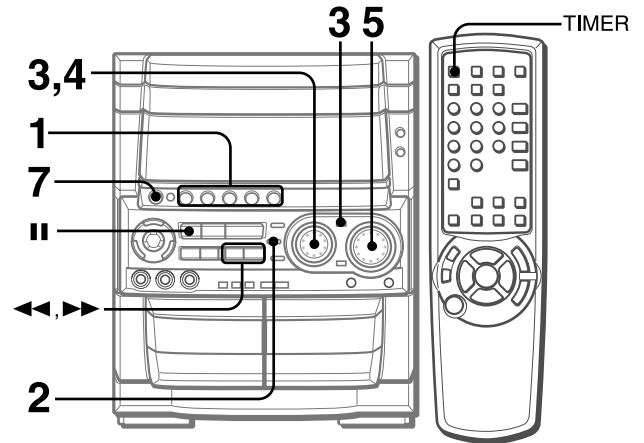
Para comprobar el tiempo restante hasta que se desconecte la alimentación

Pulse una vez SLEEP. El tiempo restante se visualizará durante 4 segundos.

Para cancelar el temporizador para dormir

Pulse dos veces SLEEP para que "SLEEP OFF" aparezca en el visualizador.

AJUSTE DEL TEMPORIZADOR



La unidad podrá encenderse a la hora especificada todos los días gracias al temporizador incorporado.

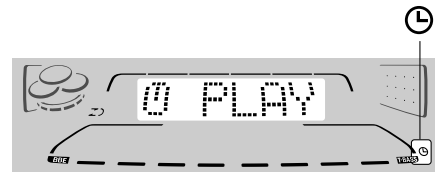
Preparación

Asegúrese de que la hora del reloj sea correcta.

1 Pulse uno de los botones de función para seleccionar una fuente.

2 Pulse repetidamente TIMER hasta que ☰ aparezca en el visualizador.

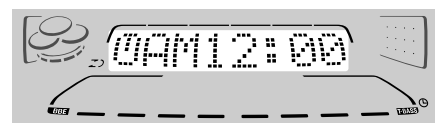
La hora y el nombre de la fuente de sonido parpadean alternativamente.



3 Antes de que pasen 6 segundos, gire MULTI JOG para designar la hora de encendido del temporizador, y luego pulse ENTER o ||.

Al girar MULTI JOG cambian las horas y los minutos.

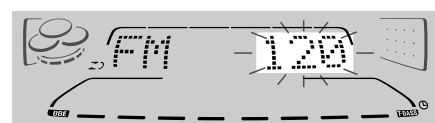
◀◀ o ▶▶ también se encuentra disponible en lugar de MULTI JOG. Al mantener pulsados estos botones, la hora cambiará rápidamente.



4 Antes de que pasen 4 segundos, gire MULTI JOG para seleccionar la duración del periodo activado por el temporizador.

La duración puede ajustarse entre 5 y 240 minutos en pasos de 5 minutos.

◀◀ o ▶▶ también podrá utilizarse en lugar de MULTI JOG.



La duración se ajustará automáticamente después de 4 segundos. También se ajustará si ENTER o || se pulsa antes de que pasen 4 segundos después del paso 4.

5 Ajuste el volumen.

El sonido de la fuente se reproducirá al nivel de sonido ajustado en este paso cuando la alimentación sea conectada por el temporizador.

Sin embargo, si el nivel del sonido se ajusta a 21 o más, éste se ajustará automáticamente a 20 cuando se conecte la alimentación.

6 Prepare la fuente.

Para escuchar un disco compacto, cargue el disco que vaya a reproducir en primer lugar en la bandeja 1.

Para escuchar una cinta, inserte la cinta en la platina 1 ó 2.

Para escuchar la radio, seleccione la banda y sintonice una emisora.

7 Pulse POWER para desconectar la alimentación.

Cuando llegue la hora de encendido del temporizador, la unidad se encenderá y la reproducción empezará con la fuente seleccionada.

NOTA

Usted puede cambiar el sonido que fue seleccionado en el paso 1 pulsando uno de los botones de función antes de pulsar **ENTER** o **||** en el paso 3.

Para comprobar el ajuste del temporizador

Pulse **TIMER**.

La hora de encendido del temporizador, la fuente seleccionada y la duración del periodo activado mediante temporizador se visualizarán durante 4 segundos.


Para cambiar cualquiera de los ajustes anteriores

Empiece desde el paso 1.

Sin embargo, si no cambia la hora de encendido del temporizador en el paso 3, pulse dos veces **ENTER** y continúe desde el paso 4.

Para cancelar temporalmente el modo de espera del temporizador

Pulse repetidamente **TIMER** para que desaparezca .

Para reponer el modo de espera del temporizador, púlselo de nuevo para visualizar .

Utilización de la unidad mientras esté ajustado el temporizador

Podrá utilizar normalmente la unidad después de ajustar el temporizador.


Antes de desconectar la alimentación, realice los pasos 5 y 6.

NOTA

- La reproducción y la grabación con temporizador no empezarán si no se desconecta la alimentación.
- El equipo conectado no se podrá encender ni apagar con el temporizador incorporado de esta unidad. Utilice en este caso un temporizador externo.

GRABACION CON TEMPORIZADOR

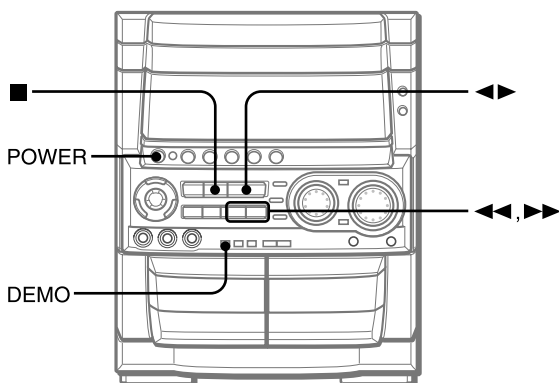
La grabación con temporizador sólo podrá utilizarse con las fuentes de sonido TUNER y VIDEO/AUX/5.1CH (con un temporizador externo).

Pulse **TUNER/BAND** o **VIDEO/AUX/5.1CH** para seleccionar una fuente, y luego **pulse repetidamente TIMER hasta que  REC aparezca en el visualizador**. Antes de que pasen 6 segundos, realice los pasos de "AJUSTE DEL TEMPORIZADOR", desde el 3, e inserte la cinta que vaya a grabar en la platina 2 después del paso 6.

NOTA

- Si la grabación con temporizador se realiza con el modo de ahorro de energía (página 7) en "ECO ON" o "ECO AUTO" y la alimentación desconectada, el modo de intensidad de iluminación se pondrá al mínimo y el nivel del sonido será 0 (nivel mínimo) la próxima vez que se conecte la alimentación.
- La función del temporizador no se puede utilizar para grabar un disco compacto o una cinta.
- Podrá comprobar los ajustes del temporizador pulsando **TIMER** incluso estando desconectada la alimentación. En este caso, si pulsa **ENTER** o **||** antes de que pasen 4 segundos después de pulsar **TIMER**, usted podrá entrar en el modo de ajuste del temporizador y cambiar el ajuste anterior.

DEMO (Demostración)



En esta unidad usted podrá disfrutar de dos modos de demostración. Uno es el de *demostración* y el otro el de *demostración del juego*. En el modo de demostración aparece una iluminación colorida en el visualizador. En el modo de demostración del juego, usted puede jugar con un juego.

Para cambiar entre los dos modos, pulse **POWER** mientras pulsa **DEMO** estando la alimentación desconectada.

Para disfrutar del juego

1 Pulse DEMO estando la unidad encendida o apagada, y tanto si el reloj está puesto en hora como si no.

2 Pulse ◀▶.

En el visualizador empiezan a moverse tres números.

3 Pulse una vez ■.

El número del lado izquierdo se para.

4 Pulse dos veces ■ para detener los dos números restantes.

Puntuación:

Para empezar el juego dispondrá de 20 puntos.

Si todos los números son iguales se añadirán 50 puntos a la puntuación.

Si no son iguales se restará un punto.

Si los puntos ganados llegan a 9999, usted gana.

Si los puntos se reducen a 0, usted pierde.

Para cancelar el juego

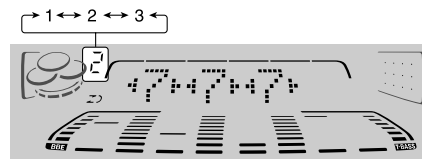
Pulse **DEMO**.

Para reiniciar el juego

Pulse dos veces **DEMO**.

Para cambiar las probabilidades de igualación de los tres números

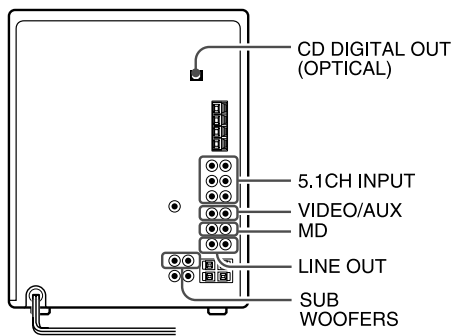
Pulse repetidamente ◀◀ o ▶▶ para seleccionar uno de los tres niveles de probabilidad cuando juegue con la demostración del juego. El indicador del número de bandeja cambia en el visualizador entre 1 y 3. Al aumentar el número de la bandeja (de 1 a 3), más alta será la probabilidad de la igualación.



NOTA

- Mientras juega con el juego, ■, ◀◀, ▶▶ y ◀▶ sólo se encuentran disponibles para el juego. Cancele el juego para utilizar estos botones en funciones tales como la reproducción de un disco compacto, etc.
- Durante el juego, algunos indicadores no relacionados con la operación actual se encienden en el visualizador.
- DEMO queda bloqueado durante la grabación y no funciona.
- El juego se cancela automáticamente si el volumen se ajusta mientras la unidad está encendida.

CONEXION DE UN EQUIPO OPCIONAL



Consulte el manual de instrucciones del equipo conectado para tener más detalles.

- Los cables de conexión no han sido suministrados. Obtenga los cables de conexión necesarios.
- Consulte a su concesionario Aiwa local en cuanto al equipo opcional.

TOMAS VIDEO/AUX

Esta unidad puede introducir señales de sonido analógico a través de estas tomas.

Utilice un cable con clavijas fono RCA para conectar equipos de audio (giradiscos, reproductores de discos láser, reproductores de minidiscos, videograbadoras, televisores, etc.).

Conecte la clavija roja a la toma **VIDEO/AUX R** y la blanca a la toma **VIDEO/AUX L**.

Cuando conecte un giradiscos

Utilice un giradiscos Aiwa equipado con amplificador ecualizador incorporado.

TOMAS MD

Estas tomas se recomiendan para conectar un reproductor de minidiscos.

Utilice un cable con clavijas fonográficas RCA. Conecte la clavija roja a la toma **MD R** y la clavija blanca a la toma **MD L**.

TOMAS LINE OUT

Esta unidad puede dar salida a señales de sonido analógico a través de estas tomas. Utilice un cable con clavijas fonográficas RCA para conectar el equipo de audio a las tomas **LINE IN** (entrada analógica).

Conecte la clavija roja de un cable a **LINE OUT R** y la clavija blanca a **LINE OUT L**.

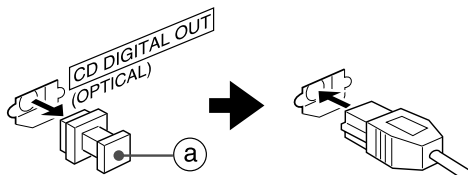
NOTA

No conecte simultáneamente un equipo a las tomas **LINE OUT** y a las tomas **VIDEO/AUX**. De lo contrario, se producirán ruidos y fallos en el funcionamiento.

TOMA CD DIGITAL OUT (OPTICAL)

Esta unidad puede dar salida a señales de sonido digital de discos compactos a través de esta toma. Utilice un cable óptico para conectar equipos de audio digital (platina de cinta audiodigital, grabadora de minidiscos, etc.).

Quite la tapa contra el polvo (a) de la toma **CD DIGITAL OUT (OPTICAL)**. Luego, conecte la clavija del cable óptico a la toma **CD DIGITAL OUT (OPTICAL)**.



Cuando no se utilice la toma CD DIGITAL OUT (OPTICAL)

Ponga la tapa contra el polvo suministrada.

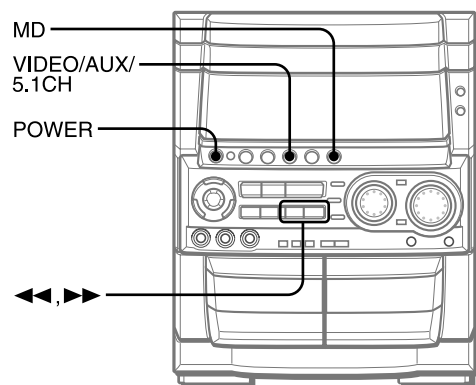
TOMAS SUBWOOFER

Conecte un altavoz de subgraves activo con amplificador incorporado en cualquiera de las dos tomas **SUBWOOFERS**.

TOMAS 5.1 CH INPUT

Esta unidad puede introducir señales de sonido procedentes del equipo de audio (reproductor DVD, reproductor de discos láser, etc.) que contenga un decodificador Dolby Digital con terminales de salida de canal 5.1 CH. Consulte "CONEXIÓN DE UN REPRODUCTOR DVD" en la página 29.

ESCUCHA DE FUENTES DE SONIDO EXTERNAS



Para hacer la reproducción en un equipo conectado a las tomas **VIDEO/AUX** o **MD** haga lo siguiente.

1 Pulse VIDEO/AUX/5.1CH o MD.

Para reproducir en un equipo conectado a **VIDEO/AUX**, pulse **VIDEO/AUX/5.1CH**. "VIDEO" aparecerá en el visualizador.

Para hacer la reproducción en un equipo conectado a **MD**, pulse **MD**. "MD" aparecerá en el visualizador.

2 Haga la reproducción en el equipo conectado.

Para cambiar el nombre de una fuente de sonido en el visualizador

Cuando se pulse **VIDEO/AUX/5.1CH**, "VIDEO" se visualizará inicialmente. Esto podrá ser cambiado por "AUX" o "TV".

Con la alimentación conectada, pulse **POWER** mientras pulsa **VIDEO/AUX/5.1CH**.

Repita el procedimiento para seleccionar uno de los nombres.

Para ajustar el nivel del sonido de la fuente de sonido externa

Cuando el nivel del sonido de la fuente externa sea muy superior o muy inferior al nivel del sonido de otras fuentes de sonido, ajústelo de la forma siguiente:

- 1 Pulse **VIDEO/AUX/5.1CH** o **MD** y haga la reproducción en el equipo.
- 2 Pulse **◀** o **▶** para que el nivel del sonido sea el mismo que el de otras fuentes de sonido.

NOTA

Durante la grabación, el nivel del sonido no se podrá ajustar.

CONEXION DE UN REPRODUCTOR DVD

Las tomas **5.1CH INPUT** de esta unidad soportan el sistema DOLBY DIGITAL SURROUND.

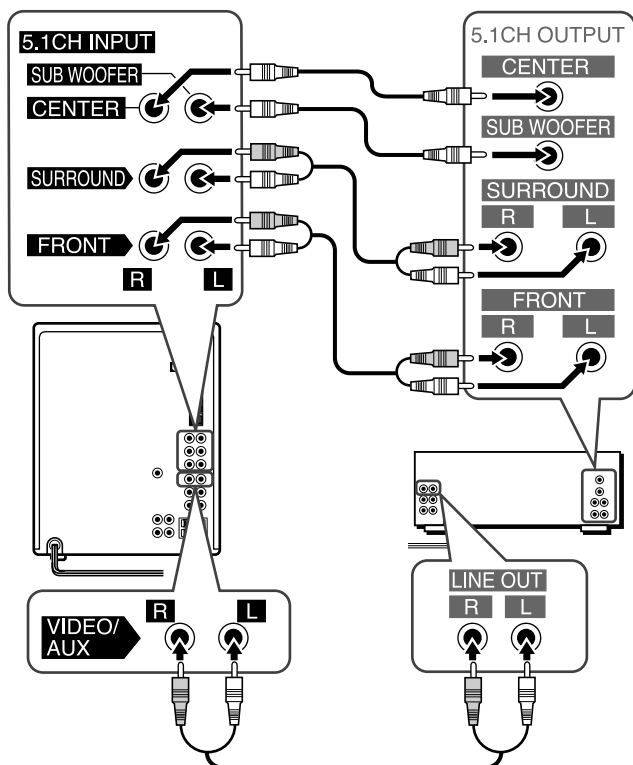
Conecte un reproductor DVD con tomas de salida 5.1CH a esta unidad utilizando cables con clavijas fonográficas RCA de la forma siguiente:

Toma de esta unidad	Toma del reproductor DVD
5.1CH SUB WOOFER	5.1CH OUTPUT SUB WOOFER, etc.
5.1CH CENTER	5.1CH OUTPUT CENTER, etc.
5.1CH SURROUND (L,R)	5.1CH OUTPUT SURROUND (L,R), etc.
5.1CH FRONT (L,R)	5.1CH OUTPUT FRONT (L,R), etc.

VIDEO/AUX(L, R)

LINE OUT (L, R), etc.

(Consulte la "NOTA" indicada abajo.)



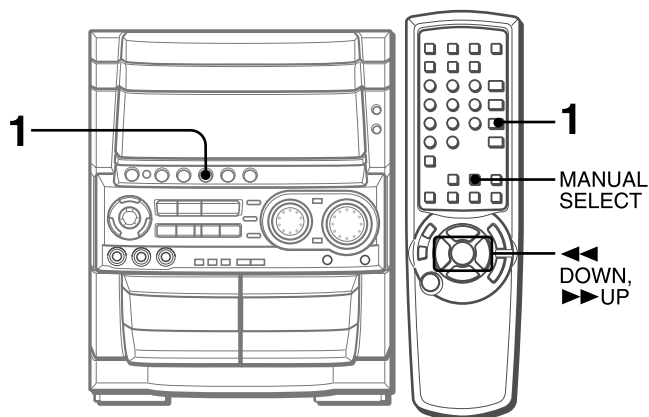
NOTA

- Si el reproductor DVD no está conectado a las tomas **VIDEO/AUX** de esta unidad:
 - El analizador de espectro no muestra el nivel del sonido del reproductor DVD.
 - El sonido procedente del reproductor DVD conectado no puede ser grabado.

Para eliminar estas limitaciones, conecte las tomas **LINE OUT** del reproductor DVD a las tomas **VIDEO/AUX** de esta unidad además de conectarlas también a las tomas **5.1CH INPUT**. Las señales que pasan a través de las tomas **VIDEO/AUX** permiten que el analizador de espectro funcione y se haga la grabación. Consulte el manual de instrucciones del reproductor DVD.

- El sonido DOLBY DIGITAL SURROUND no puede grabarse de ninguna forma.

ESCUCHA DE SONIDO DOLBY DIGITAL SURROUND



Cuando se conecte un reproductor DVD a las tomas **5.1CH INPUT** de esta unidad, usted podrá escuchar sonido DOLBY DIGITAL SURROUND, lo que le permitirá disfrutar en su hogar de un sonido de calidad igual a la de un cine.

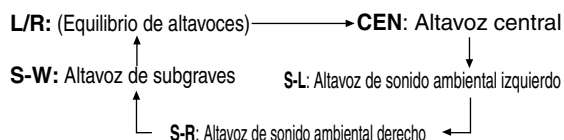
- 1 Pulse repetidamente **VIDEO/AUX/5.1CH** hasta que se visualice "5.1 ch IN".
- 2 Inicie la reproducción del sonido DOLBY DIGITAL SURROUND en el reproductor DVD.

NOTA

- DOLBY PRO LOGIC, BBE y DSP SURROUND se cancelan automáticamente cuando se selecciona 5.1 CH.
- Asegúrese de que el programa reproducido con el reproductor DVD conectado soporte DOLBY DIGITAL SURROUND.
- La función cambia de 5.1 CH a VIDEO cuando:
 - Los auriculares están conectados.
 - Se cambia el nivel de MIC o ECHO.
 - Se activa el sistema DSP SURROUND, DOLBY PRO LOGIC o la función de Karaoke.

Para ajustar los niveles del sonido del altavoz central y de los altavoces de sonido ambiental en DOLBY DIGITAL SURROUND.

- 1 Pulse repetidamente **VIDEO/AUX/5.1CH** hasta que se visualice "5.1 ch IN".
- 2 Pulse repetidamente **MANUAL SELECT**.
Los nombres de los altavoces aparecen en orden de la forma siguiente:



- 3 Pulse **◀ DOWN** o **▶ UP** para ajustar el nivel del sonido mientras se visualiza "CEN", "S-L", "S-R" o "S-W".
Cada nivel podrá ajustarse entre -8 dB y +7 dB.
- 4 Repita los pasos 2 y 3 para ajustar el nivel del sonido de cada altavoz.

NOTA

Si se cambia el nivel de los altavoces de sonido ambiental o del altavoz central de DOLBY DIGITAL SURROUND, el del sistema DSP SURROUND (página 11) y el de DOLBY PRO LOGIC (página 21) cambiará también.

CUIDADOS Y MANTENIMIENTO

El mantenimiento y el cuidado ocasional de la unidad y del software resultan necesarios para optimizar las prestaciones de su unidad.

Para limpiar la caja

Utilice un paño blando y seco.

Si las superficies están muy sucias, utilice un paño blando humedecido un poco en una solución de detergente suave. No utilice disolventes fuertes tales como alcohol, bencina o diluyente porque éstos podrán estropear el acabado de la unidad.

Para limpiar las cabezas magnetofónicas

Cuando las cabezas magnetofónicas estén sucias:

- el sonido de alta frecuencia no se emitirá
- el sonido no alcanzará la altura adecuada
- el sonido estará desequilibrado
- la cinta no podrá borrarse
- no podrá grabarse en la cinta

Después de cada 10 horas de utilización, limpie las cabezas magnetofónicas con un casete de limpieza de cabezas.

Consulte las instrucciones del casete de limpieza para conocer detalles.

Para desmagnetizar las cabezas magnetofónicas

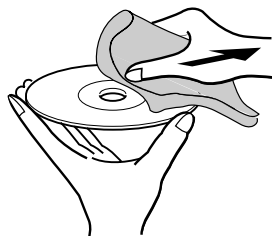
Las cabezas magnetofónicas puede magnetizarse después de utilizarlas durante mucho tiempo. Esto puede reducir la gama de salida de las cintas grabadas y aumentar el ruido.

Después de 20 a 30 horas de utilización, desmagnetice las cabezas magnetofónicas con un casete desmagnetizador vendido por separado.

Consulte las instrucciones del casete desmagnetizador para conocer más detalles.

Cuidados de los discos

- Cuando se ensucie un disco, límpielo pasando un paño de limpieza desde el centro hacia afuera.



- Después de reproducir un disco, guárdelo en su caja. No deje los discos en lugares calientes o húmedos.

Cuidados de las cintas

- Guarde las cintas en sus cajas después de utilizarlas.
- No deje las cintas cerca de imanes, motores, televisores o cualquier otra fuente de magnetismo. Esto reducirá la calidad del sonido y causará ruido.
- No esponga las cintas a la luz directa del sol, ni las deje en el interior de un automóvil estacionado bajo la luz directa del sol.

GUIA PARA LA SOLUCION DE PROBLEMAS

Si la unidad no funciona como se describe en este manual de instrucciones, compruebe la guía siguiente:

GENERALIDADES

No hay sonido.

- ¿Está correctamente conectado el cable de alimentación de CA?
- ¿Hay alguna conexión mal hecha? (→ página 4)
- Puede haber un cortocircuito en los terminales de los altavoces.
 - Desconecte el cable de alimentación de CA y luego corrija las conexiones de los altavoces.
- ¿Se ha pulsado un botón de función equivocado?

Sólo sale sonido de un altavoz.

- ¿Está el otro altavoz desconectado?

La salida de sonido no es estéreo.

- ¿Está activada la función de Karaoke? (→ página 23)

Se produce una visualización errónea o un mal funcionamiento.

→ Vuelva a ajustar la unidad como se indica más abajo.

La unidad se apaga cuando se desconecta la alimentación.

- ¿Está el modo de ahorro de energía en "ECO ON" o "ECO AUTO"? (→ página 7)

La alimentación no se conecta.

→ Desconecte el cable de alimentación y vuelva a conectarlo después de pasar unos pocos segundos.

SECCION DEL SINTONIZADOR

Hay un ruido de estática constante en forma de onda.

- ¿Está conectada correctamente la antena? (→ página 6)
- ¿Es débil la señal?
 - Conecte una antena exterior.

La recepción tiene interferencia o el sonido está distorsionado.

- ¿Capta el sistema ruidos externos o distorsión de múltiples trayectorias?
 - Cambie la orientación de la antena.
 - Separe la unidad de otros aparatos eléctricos.

SECCION DE LA PLATINA

La cinta no se mueve.

- ¿Está la platina 2 en el modo de pausa? (→ página 13)

El sonido está desequilibrado o no alcanza la altura suficiente.

- ¿Está sucia la cabeza de reproducción? (→ explicado anteriormente)

No es posible grabar.

- ¿Está rota la lengüeta de prevención contra borrado? (→ página 14)
- ¿Está sucia la cabeza de grabación? (→ explicado anteriormente)

No es posible borrar.

- ¿Está sucia la cabeza de borrado? (→ explicado anteriormente)
- ¿Está utilizándose una cinta de metal?

No se emite sonido de alta frecuencia.

- ¿Está sucia la cabeza de grabación/reproducción? (→ explicado anteriormente)

SECCION DEL REPRODUCTOR DE DISCOS COMPACTOS

El reproductor de discos compactos no puede reproducir.

- ¿Está bien puesto el disco? (→ página 15)
- ¿Está sucio el disco? (→ explicado anteriormente)
- ¿Afecta la condensación a la lente?
 - Espere una hora aproximadamente y pruebe otra vez.

Para reajustar la unidad

Si se produce alguna condición extraña en el visualizador o en las platinas de casete, reajuste la unidad de la forma siguiente.

- 1 Pulse **POWER** para desconectar la alimentación.
- 2 Pulse **POWER** para volver a conectar la alimentación mientras pulsa **CLEAR**. Todo lo que haya sido almacenado en la memoria después de haber adquirido la unidad se borrará.

Si no puede desconectarse la alimentación en el paso 1 debido a algún mal funcionamiento, reajuste la unidad desconectando el cable de alimentación de CA y conectándolo de nuevo. Luego ejecute el paso 2.

ESPECIFICACIONES

Unidad principal CX-NHMT75

Sección del sintonizador de FM

Gama de sintonización	87,5 MHz a 108 MHz
Sensibilidad útil (IHF)	13,2 dBf
Terminales de antena	75 ohmios (desequilibrada)

Sección del sintonizador de AM

Gama de sintonización	530 kHz a 1710 kHz (pasos de 10 kHz) 531 kHz a 1602 kHz (pasos de 9 kHz)
Sensibilidad útil	350 μ V/m
Antena	Antena de cuadro

Sección del amplificador

Potencia de salida	Delantera 100 W + 100 W (50 Hz–20 kHz, distorsión armónica total inferior al 1%, 6 ohmios) Altavoces traseros (sonido ambiental) 33 W + 33 W (1 kHz, distorsión armónica total inferior al 1%, 8 ohmios) Altavoz central 34 W (1 kHz, distorsión armónica total inferior al 1%, 8 ohmios)
Distorsión armónica total	0,1 % (40 W, 1 kHz, 6 ohmios, DIN AUDIO/Delantero)
Entradas	VIDEO/AUX: 316 mV (ajustable) MD: 316 mV (ajustable) MIC 1, MIC 2: 1 mV (10 kohmios) 5.1CH INPUT (ajustable) FRONT (L,R): 240 mV REAR (L,R): 220 mV CENTER: 370 mV SUB WOOFER: 240 mV
Salidas	SPEAKERS: acepta altavoces de 6 ohmios o más SURROUND SPEAKERS: acepta altavoces de 8 ohmios a 16 ohmios CENTER SPEAKER: acepta altavoces de 8 ohmios o más SUBWOOFER: 1,1 V LINE OUT: 210 mV PHONES (toma estéreo): acepta auriculares de 32 ohmios o más

Sección de la platina de cassetes

Formato de pistas	4 pistas, 2 canales estéreo
Respuesta de frecuencia	Cinta de CrO ₂ : 50 Hz–16000 Hz Cinta normal: 50 Hz–15000 Hz
Sistema de grabación	Polarización de CA
Cabezas	Platina 1: 1 cabeza de reproducción Platina 2: 1 cabeza de grabación/reproducción, 1 cabeza de borrado

Sección del reproductor de discos compactos

Láser	Láser de semiconductor ($\lambda = 780$ nm)
Convertidor D-A	1 bit doble
Relación señal a ruido	85 dB (1 kHz, 0 dB)
Distorsión armónica	0,05% (1 kHz, 0 dB)
Fluctuación y trémolo	No se puede medir

Generalidades


Alimentación	120 V CA, 60 Hz
Consumo	190 W
Consumo en el modo de espera	Si el modo de ahorro de energía es ECO OFF: 30 W Si el modo de ahorro de energía es ECO ON o ECO AUTO: 0,7 W
Dimensiones (An x Al x Prof)	260 x 330 x 395 mm
Peso	9,5 kg

Sistema de altavoces SX-NAJ72

Sistema de altavoces	3 vías, reflejo de graves (tipo de blindaje antimagnético)
Altavoces	Altavoz para graves: Tipo cónico de 140 mm Altavoz para agudos: Tipo cónico de 60 mm Altavoz para superagudos: Tipo cerámico de 20 mm
Impedancia	6 ohmios
Sensibilidad	87 dB/W/m
Dimensiones (An x Al x Prof)	240 x 324 x 270 mm
Peso	4,5 kg

Las especificaciones y apariencia exterior están sujetas a cambios sin previo aviso.

DOLBY PRO LOGIC

Fabricado bajo licencia de Dolby Laboratories Licensing Corporation.
DOLBY, el símbolo de la doble D  y PRO LOGIC son marcas de Dolby Laboratories Licensing Corporation.

BBE SYSTEM

La sigla "BBE" y el símbolo "BBE" son marcas registradas de BBE Sound, Inc.
Bajo licencia de BBE Sound, Inc.

COPYRIGHT (DERECHOS DE AUTOR)

Consulte las leyes del copyright, relacionadas con las grabaciones de discos, de la radio o de cintas, que se encuentran vigentes en el país en el que se utiliza la unidad.

AVERTISSEMENT

POUR REDUIRE LE RISQUE DE COURT-CIRCUIT OU DE CHOC ELECTRIQUE, NE PAS EXPOSER CET APPAREIL A LA PLUIE OU A L'HUMIDITE.



Signification des symboles graphiques:



L'éclair portant une flèche, situé dans un triangle équilatéral, sert à prévenir l'utilisateur de la présence d'une "tension dangereuse" non isolée à l'intérieur de l'appareil, assez élevée pour constituer un risque d'électrocution.




Le point d'exclamation situé dans un triangle équilatéral sert à prévenir l'utilisateur de la présence d'instructions importantes concernant l'utilisation et l'entretien (ou la réparation) de l'appareil dans le manuel qui accompagne ce dernier.

PRECAUTIONS

Lire le mode d'emploi attentivement et complètement avant d'utiliser l'appareil. Garder le mode d'emploi pour toute référence future. Tous les avertissements et toutes les précautions donnés dans le mode d'emploi et sur l'appareil doivent être suivis à la lettre, aussi bien que les suggestions de sécurité suivantes.

Installation

- 1 Eau et humidité** — Ne pas utiliser cet appareil près d'eau, comme près d'une baignoire, d'une cuvette, d'une piscine ou autre.
- 2 Chaleur** — Ne pas utiliser cet appareil près de sources de chaleur, comme sorties de chauffage, poêles ou autres appareils qui dégagent de la chaleur. L'appareil ne doit pas être soumis à des températures inférieures à 5°C ou supérieures à 35°C.
- 3 Surface d'utilisation** — Poser l'appareil sur une surface plate et lisse.
- 4 Ventilation** — L'appareil doit être positionné avec un espace suffisant autour afin d'assurer une dissipation adéquate de la chaleur. Laisser un espace de 10 cm derrière et dessus l'appareil, et un espace de 5 cm de chaque côté.
 - Ne pas mettre l'appareil sur un lit, un tapis ou sur une surface similaire qui pourrait obstruer les orifices de ventilation.
 - Ne pas mettre l'appareil dans une bibliothèque, un coffret ou un meuble complètement fermé où l'aération serait insuffisante.
- 5 Entrée d'objets et de liquide** — Faire attention à ce que aucun corps étranger ou liquide ne pénètre dans l'appareil pas les orifices de ventilation.
- 6 Chariot et support** — Si l'appareil est posé ou monté sur un support ou un chariot, déplacer ce dernier avec précaution. Les arrêts brusques, une force excessive et les surfaces inégales peuvent provoquer le renversement ou la chute de l'appareil et du chariot. 
- 7 Condensation** — De la condensation peut se former sur la lentille du capteur du lecteur de disques compacts quand:
 - l'appareil est déplacé d'un endroit froid à un endroit chaud.
 - le chauffage vient juste d'être mis en marche.
 - l'appareil est utilisé dans une pièce très humide.
 - l'appareil est refroidi par un climatiseur.
 S'il y a de la condensation à l'intérieur de cet appareil, il risque de ne pas fonctionner correctement. Le cas échéant, laisser l'appareil pendant quelques heures, puis essayer de nouveau de l'utiliser.
- 8 Fixation à un mur ou un plafond** — L'appareil ne doit pas être fixé à un mur ou un plafond, à moins que ce ne soit spécifié dans le mode d'emploi.

Energie électrique

- 1 Alimentations électriques** — Brancher cet appareil uniquement aux alimentations électriques spécifiées dans le mode d'emploi, et comme indiqué sur l'appareil.
- 2 Polarisation** — Comme mesure de sécurité, certains appareils sont munis de fiches polarisées d'alimentation secteur qui ne peuvent être introduites que dans un sens dans une prise de courant. S'il est difficile ou impossible d'insérer la fiche d'alimentation secteur dans une prise, retourner la fiche et essayer de nouveau. Si l'on ne peut toujours pas insérer la fiche dans la prise, s'adresser à un électricien qualifié pour faire réparer ou changer la prise. Afin de ne pas annuler la sécurité de la fiche polarisée, ne pas insérer cette fiche en force dans une prise.
- 3 Cordon d'alimentation secteur**
 - Pour débrancher le cordon d'alimentation secteur, le tirer par sa fiche. Ne pas tirer sur le cordon proprement dit.
 - Ne jamais tenir la fiche d'alimentation secteur avec les mains mouillées, cela pourrait se traduire par un court-circuit ou un choc électrique.
 - Les cordons d'alimentation doivent être installés de manière à ne pas être pliés, pincés ou piétinés. Faire particulièrement attention au cordon allant de l'appareil à la prise de courant.
 - Eviter de surcharger les prises d'alimentation et les rallonges au-delà de leur capacité, cela pourrait se traduire par un incendie ou un choc électrique.

4 Rallonge — Afin d'éviter tout choc électrique, ne pas utiliser une fiche polarisée d'alimentation secteur avec une rallonge ou une prise si cette fiche ne peut pas être insérée complètement de manière que ses lames ne soient pas exposées.

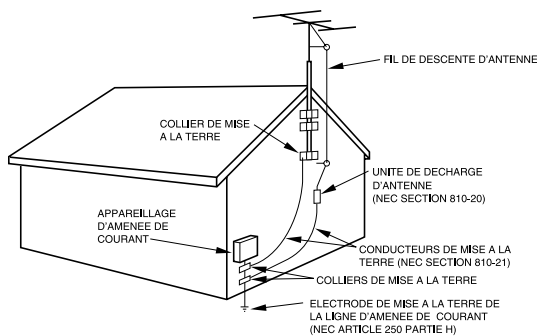
5 Périodes de non-utilisation — Débrancher le cordon d'alimentation secteur de la prise de courant si l'appareil ne doit pas être utilisé pendant plusieurs mois ou plus. Quand le cordon est branché, un courant de faible intensité continue de circuler dans l'appareil même si l'alimentation est coupée.

Antenne extérieure

1 Lignes d'amenée de courant — Quand on branche une antenne extérieure, s'assurer qu'elle est située à l'écart de toute ligne d'amenée de courant.

2 Mise de l'antenne extérieure à la terre — Afin d'assurer une protection contre toute impulsion de tension et contre toute accumulation d'électricité statique, s'assurer que l'antenne est correctement mise à la terre. L'article 810 du code national d'électricité (NEC), ANSI/NFPA 70, fournit des informations au sujet de la mise à la terre du mât, de la structure de support et du conducteur arrivant à l'unité de décharge d'antenne et au sujet des dimensions des conducteurs de mise à la terre, de la connexion aux électrodes de mise à la terre et des exigences concernant ces électrodes.

Mise à la terre d'une antenne selon le code national d'électricité (NEC)



NEC: CODE NATIONAL D'ELECTRICITE

Entretien

Nettoyer l'appareil uniquement comme recommandé dans le mode d'emploi.

Domage nécessitant une réparation

S'adresser à un technicien qualifié pour faire réparer l'appareil si:

- Le cordon ou la fiche d'alimentation secteur de l'appareil est endommagé
- Tout corps étranger ou liquide est entré dans l'appareil
- L'appareil a été exposé à la pluie ou à de l'eau
- L'appareil ne semble pas fonctionner normalement
- L'appareil présente un changement notable de performances
- L'appareil a subi un choc, ou son coffret a été endommagé

N'ESSAYEZ PAS DE REPARER L'APPAREIL VOUS-MEME.

Contrôler la chaîne et les accessoires.

NSX-HMT75/NSX-HMT76

- CX-NHMT75 Récepteur magnétocassette lecteur de disques compacts stéréo
- SX-NAJ72 Enceintes avant
- SX-R275 Enceintes surround
- SX-C605 Enceinte centrale
- TS-W45 Caisson de graves (pour NSX-HMT76 seulement)

Télécommande

Antenne AM

Antenne FM

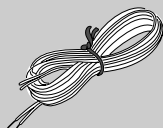
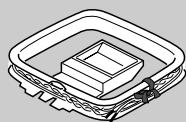
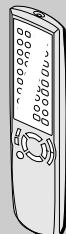


TABLE DES MATIERES

PRECAUTIONS 2

PREPARATIONS

CONNEXIONS 4
 TELECOMMANDE 6
 AVANT L'UTILISATION 7
 REGLAGE DE L'HORLOGE 8

SON

REGLAGES AUDIO 9
 EGALISEUR GRAPHIQUE 10
 SURROUND DSP 11

RECEPTION RADIO

ACCORD MANUEL 12
 MEMORISATION DE STATIONS 12

LECTURE DE CASSETTES

OPERATIONS DE BASE 13
 LECTURE CONTINUE 14

LECTURE DE DISQUES COMPACTS

OPERATIONS DE BASE 15
 LECTURE PROGRAMMEE 16

ENREGISTREMENT

ENREGISTREMENT DE BASE 17
 DUPLICATION MANUELLE D'UNE CASSETTE 18
 DUPLICATION DE LA TOTALITE D'UNE CASSETTE 18
 ENREGISTREMENT AVEC MONTAGE ET
 CALCUL DU TEMPS 19
 ENREGISTREMENT AVEC MONTAGE
 PROGRAMME 20

DOLBY PRO LOGIC

REGLAGE DE LA BALANCE DES NIVEAUX
 DES ENCEINTES 21
 LECTURE AVEC LE SYSTEME DOLBY PRO LOGIC 22

KARAOKE

MIXAGE AVEC MICROPHONE 23
 PROGRAMME DE KARAOKE 24

MINUTERIE

REGLAGE DE LA MINUTERIE D'ARRET 25
 REGLAGE DE LA MINUTERIE 25

AUTRES CARACTERISTIQUES

DEMO (Démonstration) 27

AUTRES CONNEXIONS

CONNEXION D'UN APPAREIL OPTIONNEL 28
 ECOUTE DE SOURCES EXTERNES 28
 CONNEXION D'UN LECTEUR DE DVD 29

GENERALITES

SOINS ET ENTRETIEN 30
 EN CAS DE PROBLEME 30
 SPECIFICATIONS 31
 NOMENCLATURE Couverture du dos



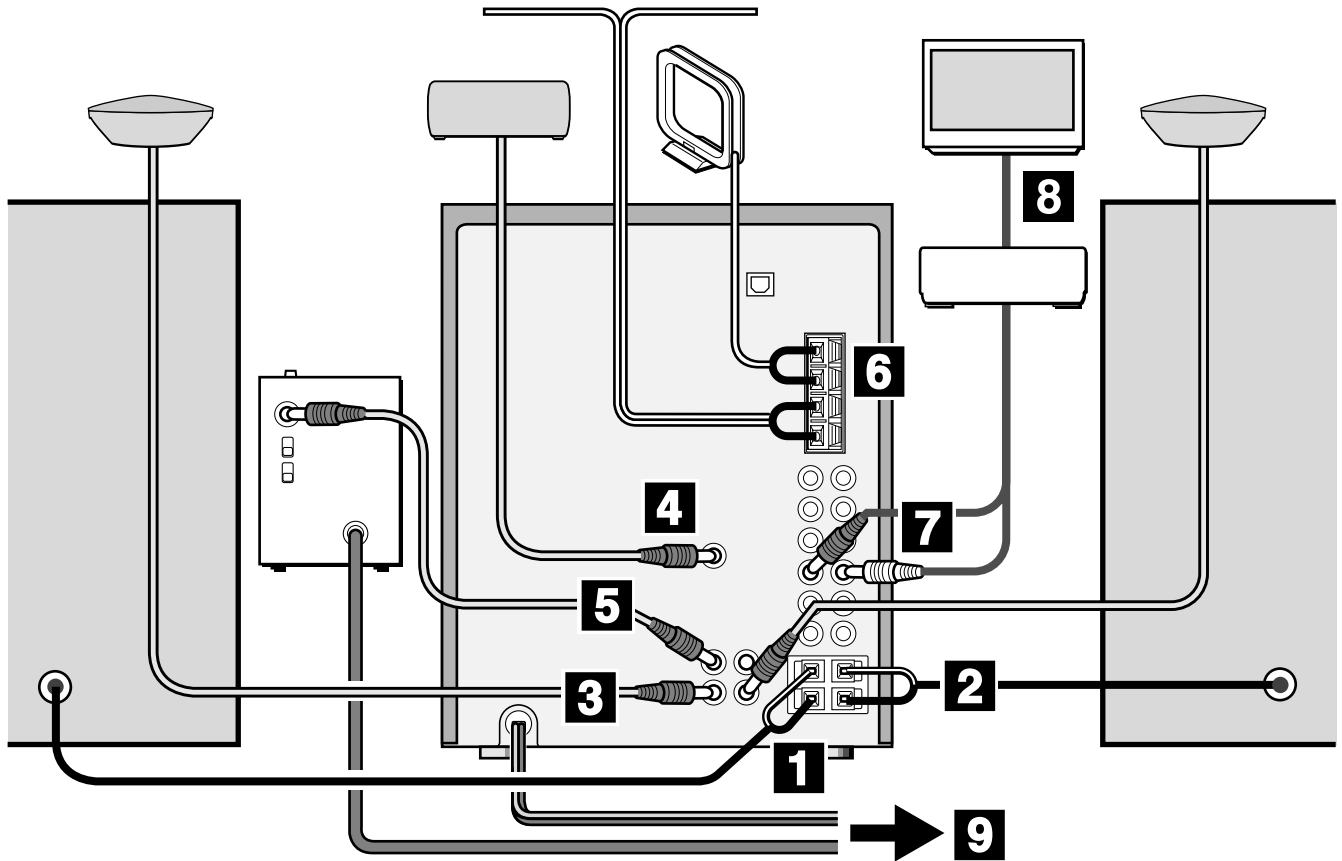
CONNEXIONS

Avant de brancher le cordon secteur

La tension nominale d'alimentation de l'appareil, indiquée au dos de ce dernier, est de 120 V. S'assurer que cette tension nominale correspond à celle du secteur local.

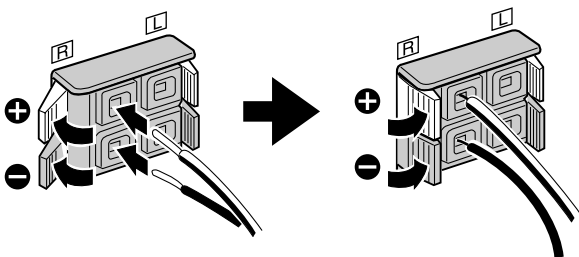
IMPORTANT

Commencer par connecter les enceintes, les antennes et tout appareil optionnel. Brancher le cordon secteur en dernier.



1 Connecter l'enceinte droite à l'appareil principal.

Connecter le cordon d'enceinte rayé de blanc à la borne **SPEAKERS R** (+) et le cordon noir à la borne (-).

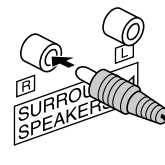


2 Connecter l'enceinte gauche à l'appareil principal.

Connecter les cordons d'enceinte aux bornes **SPEAKERS L** de la même manière qu'à l'étape 1.

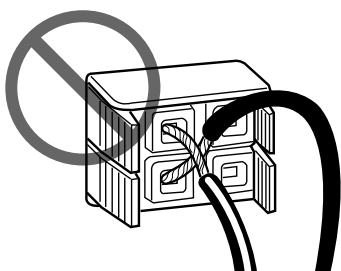
3 Connecter les enceintes surround.

Connecter les cordons d'enceinte surround aux bornes **SURROUND SPEAKERS**.



REMARQUE

- Veiller à connecter les cordons d'enceinte correctement. Des connexions incorrectes peuvent provoquer des courts-circuits dans les bornes **SPEAKERS**.



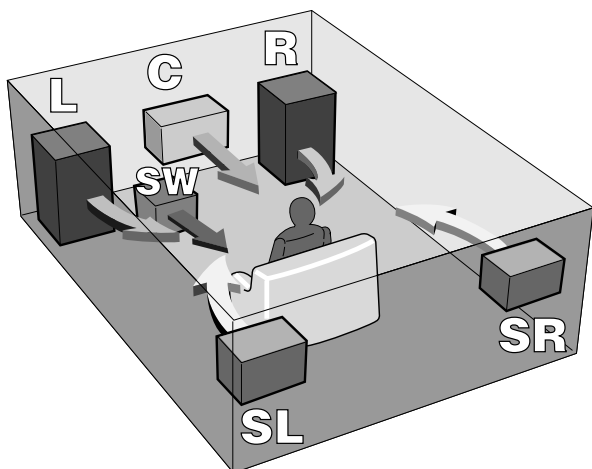
4 Connecter l'enceinte centrale.

Connecter le cordon de l'enceinte centrale à la borne **CENTER SPEAKER**.



POSITIONNEMENT DES ENCEINTES

Pour obtenir les meilleurs effets possibles du système DOLBY PRO LOGIC, il est important de positionner les enceintes correctement. Se reporter à l'illustration suivante pour trouver le meilleur emplacement dans votre salle.



L&R: Enceintes avant

C: Enceinte centrale

Positionner cette enceinte au milieu des deux enceintes avant. En plus, si on branche un téléviseur à la chaîne, positionner l'enceinte centrale sur ou sous ce téléviseur.

SL&SR: Enceintes surround

Mettre les enceintes surround directement sur les côtés de la zone d'écoute ou légèrement derrière cette zone. Les aligner horizontalement, à environ un mètre au-dessus de la hauteur des oreilles.

SW: Caisson de graves (pour NSX-HMT76 seulement)

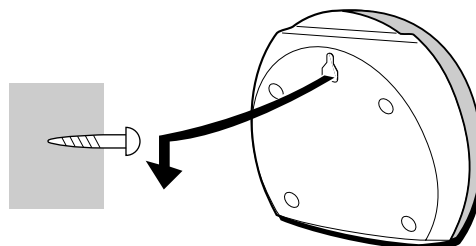
Mettre le caisson de graves sur le sol près d'un mur ou dans un coin de la salle.

REMARQUE

- Aucun son ne sort par les enceintes centrale et surround quand le système DOLBY PRO LOGIC, le système SURROUND et l'entrée 5.1CH (Voir page 29) sont hors service.
- L'enceinte centrale fonctionne quand le système DOLBY PRO LOGIC ou l'entrée 5.1CH (Voir page 29) sont est en service.

Pour fixer les enceintes surround à un mur

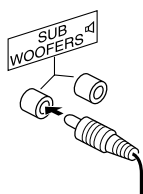
Fixer chaque enceinte à un endroit qui peut supporter son poids.



5 Connecter le caisson de graves (pour NSX-HMT76 seulement).

Connecter le cordon du caisson de graves à la borne **SUBWOOFERS**.

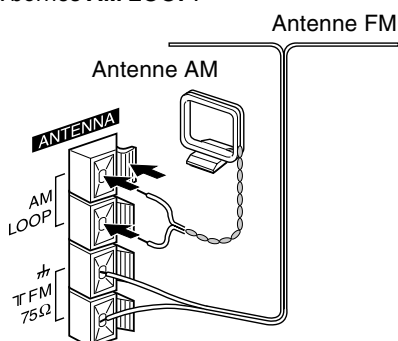
On peut connecter le caisson de graves à l'une ou l'autre des deux bornes.



- Pour plus de détails, se reporter au mode d'emploi du TS-W45.

6 Connecter les antennes fournies.

Connecter l'antenne FM aux bornes **FM 75 Ω** et l'antenne AM aux bornes **AM LOOP**.



7 Connecter l'appareil vidéo.

A l'aide d'un cordon de raccordement audio optionnel, connecter la prise **VIDEO/AUX** de cet appareil à la prise de sortie audio de l'appareil vidéo.

8 Connecter le téléviseur à l'appareil vidéo.

Pour plus de détails, voir le mode d'emploi de l'appareil connecté.

9 Brancher le cordon secteur à une prise de courant.

Le mode DEMO démarre la première fois que l'on branche le cordon secteur à une prise de courant. Pour désactiver le mode DEMO, régler l'horloge.

REMARQUE

- Ne pas laisser d'objets produisant un champ magnétique, tels que des cartes de crédit, près des enceintes; ils pourraient être endommagés.
- Ne pas mettre l'antenne FM près d'objets métalliques ou de tringles à rideaux.
- Ne pas mettre l'antenne AM près d'un appareil optionnel, de la chaîne stéréo proprement dite, du cordon secteur ou des cordons d'enceinte; elle capterait des parasites.
- Ne pas dérouler le fil de l'antenne AM.

Pour positionner les antennes

Antenne FM intérieure:

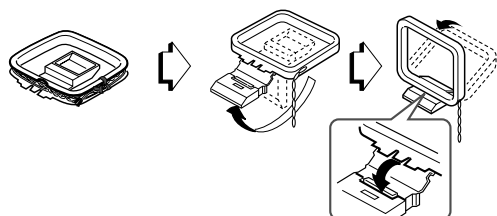
Déployer cette antenne horizontalement selon la forme d'un T et fixer ses extrémités à un mur.

Antenne AM:

Positionner et orienter cette antenne de manière à obtenir la meilleure réception possible.

Pour poser l'antenne AM sur une surface

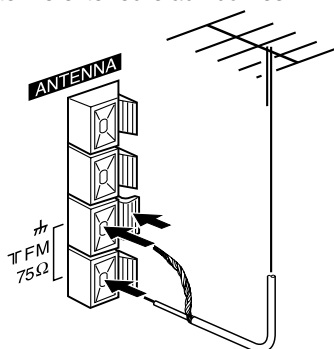
Fixer la griffe dans la rainure.



CONNEXION D'UNE ANTENNE EXTERIEURE

Pour obtenir une meilleure réception FM, il est recommandé d'utiliser une antenne FM extérieure.

Connecter l'antenne extérieure aux bornes **FM 75 Ω**.

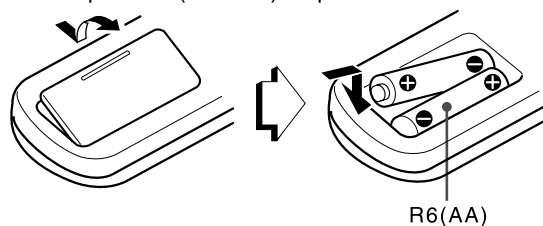


Pour connecter un autre appareil optionnel → page 28.

TELECOMMANDE

Mise en place des piles

Enlever le couvercle des piles du dos de la télécommande et mettre deux piles R6 (taille AA) en place.



Quand remplacer les piles

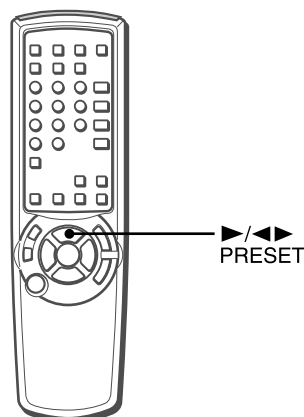
La distance maximale de fonctionnement entre la télécommande et le capteur situé sur l'appareil principal doit être d'environ cinq mètres. Lorsque cette distance diminue, remplacer les piles par des neuves.

Utilisation de la télécommande

Les instructions données dans ce manuel concernent principalement les touches de l'appareil principal. Les touches de la télécommande portant les mêmes noms que celles de l'appareil principal peuvent également être utilisées.

▶/◀ PRESET de la télécommande

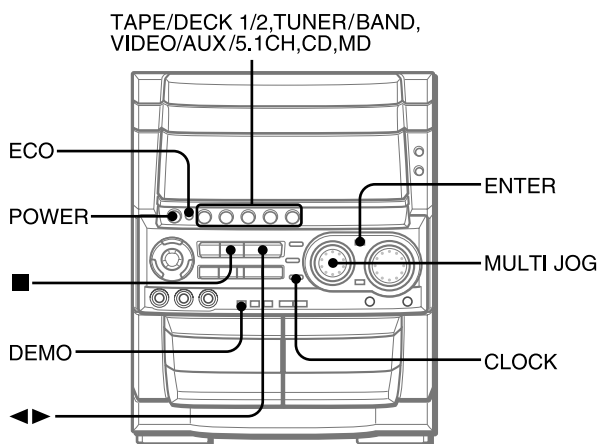
La fonction est la même que celle de ◀▶ de l'appareil principal.



REMARQUE

- Si la télécommande ne doit pas être utilisée pendant longtemps, enlever les piles pour éviter tout risque de fuite d'électrolyte.
- La télécommande risque de ne pas fonctionner correctement quand:
 - l'espace entre la télécommande et le capteur situé sur la fenêtre d'affichage est exposé à une lumière intense, comme le soleil.
 - d'autres télécommandes (téléviseur, etc.) sont utilisées à proximité.

AVANT L'UTILISATION



Pour mettre sous tension

Appuyer sur une des touches de fonction (**TAPE/DECK 1/2, TUNER/BAND, VIDEO/AUX/5.1CH, CD, MD**). La lecture du disque compact ou de la cassette en place commence, ou la station écoutée en dernier est reçue (fonction de lecture directe). On peut aussi appuyer sur **POWER**.

REMARQUE

Lors de la mise sous tension, le compartiment à disques peut s'ouvrir et se fermer pour réinitialiser l'appareil.

Pour mettre hors tension

Appuyer sur **POWER**.

DEMO (Démonstration)

La première fois que le cordon secteur est branché à une prise de courant après l'achat, le mode DEMO démarre sur l'affichage. Quand on met l'appareil sous tension, le mode DEMO s'arrête. Quand on met l'appareil hors tension, le mode DEMO redémarre. Une fois que l'horloge est réglée, le mode DEMO ne démarre pas quand l'appareil est mis hors tension.

Pour désactiver ou activer le mode DEMO

Appuyer sur **CLOCK** et l'horloge sera affichée à la place du mode DEMO.

Appuyer sur **DEMO** pour activer.

(Pour plus de détails au sujet du mode DEMO, voir page 27.)

MISE EN SERVICE DU MODE ECONOMIE D'ENERGIE

Quand on règle le mode économie d'énergie sur "ECO ON" ou "ECO AUTO", l'appareil diminue sa consommation électrique en effectuant les quatre opérations **ECO** décrites ci-dessous.

ECO ON

- L'appareil (tout l'éclairage de l'affichage et des touches) s'éteint quand l'alimentation est coupée. Seul le témoin rouge s'allume.
- Si DIMMER (1 - 3) est sélectionné, l'éclairage de l'affichage et des touches s'allume pendant dix secondes seulement quand on appuie sur une touche ou quand on tourne **VOLUME** ou **MULTI JOG**.
- Le mode de luminosité de l'affichage est réglé sur le niveau minimal, l'éclairage des touches s'éteint et le volume est réglé sur le minimum (0) quand l'appareil se met sous tension du fait de l'enregistrement commandé par minuterie.

ECO AUTO

- En plus des trois opérations de ECO ON, l'appareil se met automatiquement hors tension si on ne l'utilise pas et si la source sonore est muette pendant dix minutes.

ECO OFF

Le mode économie d'énergie ne fonctionne pas.

1 Appuyer sur ECO.

"ECO MODE" est affiché.



2 Appuyer sur ENTER dans les quatre secondes.

Le statut courant du mode économie d'énergie est affiché.

3 Tourner MULTI JOG dans les quatre secondes pour sélectionner un des modes d'économie d'énergie.

Exemple: Quand "ECO ON" est sélectionné



4 Appuyer sur ENTER dans les quatre secondes.

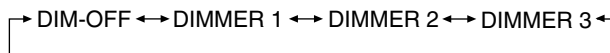
REMARQUE

Si l'horloge n'est pas réglée, l'appareil ne s'éteint pas. Au lieu de cela, le mode DEMO démarre quand l'alimentation est coupée.

MODE VARIATEUR

Pour changer la luminosité de l'affichage

- 1 Appuyer sur **ECO** à plusieurs reprises jusqu'à ce que "DIM MODE" soit affiché.
- 2 Dans les quatre secondes, appuyer sur **ENTER**.
- 3 Dans les quatre secondes, tourner **MULTI JOG** pour sélectionner un des modes de luminosité changés de manière cyclique comme indiqué plus bas.
- 4 Dans les quatre secondes, appuyer sur **ENTER**.



Le mode "DIM-OFF" donne la luminosité maximale et le mode "DIMMER 3" donne la luminosité minimale. En mode "DIMMER 3", l'analyseur de spectre, la fenêtre du sommet de l'appareil et l'éclairage des touches s'éteignent.

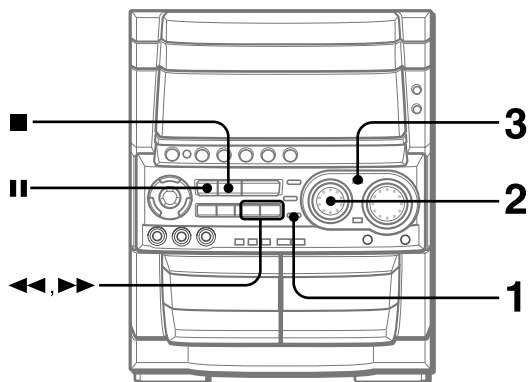
F

FENETRE CLIGNOTANTE

La fenêtre située au sommet de l'appareil s'allume ou clignote et l'intérieur des porte-cassette s'allume quand l'appareil est sous tension.

Pour éteindre l'éclairage de la fenêtre supérieure, appuyer sur ■ tout en appuyant sur **CD**. Pour éteindre l'éclairage de l'intérieur des porte-cassette, appuyer sur ■ tout en appuyant sur **TAPE**. Pour rallumer l'un ou l'autre de ces éclairages, répéter l'opération correspondante.

REGLAGE DE L'HORLOGE



1 Appuyer sur **CLOCK**.

L'horloge est affichée. (Le signe ":" entre les heures et les minutes clignote.)



2 Dans les quatre secondes, tourner **MULTI JOG** pour spécifier les heures et les minutes.

La rotation de **MULTI JOG** change à la fois les heures et les minutes.

On peut aussi utiliser ◀◀ ou ▶▶ au lieu de **MULTI JOG**. Le fait de tenir ces touches enfoncées fait varier l'heure rapidement.

3 Appuyer sur **ENTER** ou **||**.

L'horloge démarre à 00 seconde.

Pour rétablir un réglage initial de l'horloge

Pour rétablir le réglage initial de l'horloge, appuyer sur **CLOCK** avant de terminer l'étape 3. Ceci annule tout nouveau réglage.

Pour faire apparaître l'horloge quand un autre affichage est en service

Appuyer sur **CLOCK**. L'heure est affichée pendant quatre secondes puis l'affichage initial réapparaît. Toutefois, l'heure ne peut pas être affichée pendant l'enregistrement.

Pour passer au format de 24 heures

Appuyer sur **CLOCK** puis appuyer sur ■ dans les quatre secondes.

Pour rétablir le format de 12 heures, procéder de la même manière.

Dans le format de 12 heures, "AM 12:00" signifie minuit et "PM 12:00" signifie midi.

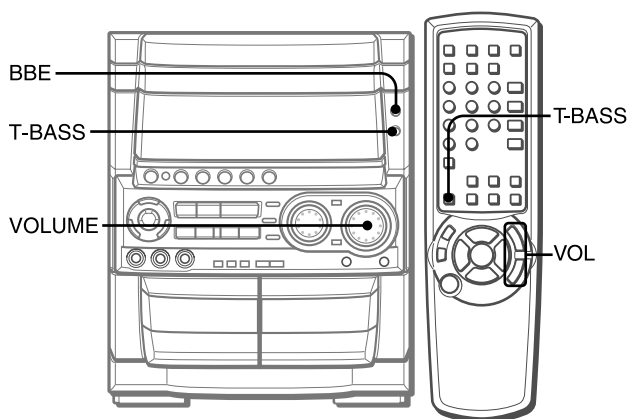
Si l'affichage de l'horloge clignote

Si l'affichage de l'horloge clignote, cela signifie que l'horloge s'est arrêtée du fait d'une interruption d'alimentation ou du fait que le cordon secteur a été débranché. L'heure courante doit être réglée de nouveau.

REMARQUE

Si le mode économie d'énergie (page 7) est en service, l'appareil s'éteint quand l'alimentation est coupée. Pour faire apparaître l'horloge, appuyer sur **CLOCK**; l'heure est alors affichée pendant quatre secondes.

REGLAGES AUDIO



VOLUME

Tourner VOLUME de l'appareil principal, ou appuyer sur VOL de la télécommande.

Le niveau du volume est affiché sous la forme d'un numéro de 0 à MAX (50).

Quand on met l'appareil hors tension alors que le niveau du volume est réglé sur 21 ou plus, ce niveau est automatiquement réglé sur 20.

Pour changer la balance gauche/droite

Appuyer sur **MANUAL SELECT** de la télécommande; "L/R" est alors affiché pendant quatre secondes. Appuyer sur **◀◀ DOWN** ou **▶▶ UP** de la télécommande dans ces quatre secondes.

- Le niveau des enceintes avant DOLBY PRO LOGIC et DOLBY DIGITAL SURROUND est aussi changé. (Voir pages 21 et 29)

SYSTEME BBE

Le système BBE augmente la clarté du son aux fréquences élevées. Il enrichit aussi la fonction Karaoke pour donner un son clair et agréable de la voix.

Appuyer sur BBE.

A chaque pression sur cette touche, le niveau change. Sélectionner un des trois niveaux ou la position de repos, comme on préfère.



- Le système BBE ne fonctionne pas quand l'entrée 5.1 CH (Voir page 29) est sélectionnée.

SYSTEME SUPER T-BASS

Le système T-BASS augmente le réalisme du son aux basses fréquences.

Appuyer sur T-BASS.

A chaque pression sur la touche, le niveau change. Sélectionner un des trois niveaux ou la position de repos, comme on préfère.



REMARQUE

- Le son aux basses fréquences risque d'être déformé quand le système T-BASS est utilisé pour un disque ou une cassette dont le son aux basses fréquences est accentué d'origine. Dans ce cas, annuler le système T-BASS.
- Lors de la lecture d'une cassette enregistrée avec BBE, il est conseillé de mettre le système BBE hors service pour éviter une distorsion du son aux fréquences élevées.

EGALISEUR GRAPHIQUE

SELECTION D'UNE COURBE D'ÉGALISATION PROGRAMMÉE

Cet appareil possède les cinq courbes d'égalisation programmées différentes suivantes.

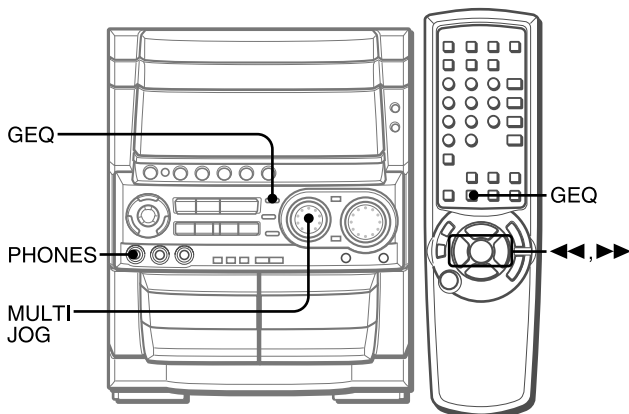
ROCK: Son puissant accentuant les aigus et les graves.

POP: Présence accrue des parties vocales et de la gamme moyenne.

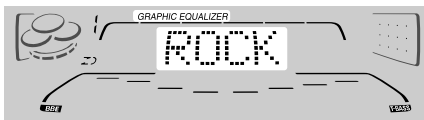
LATIN: Fréquences élevées accentuées pour la musique latine.

CLASSIC: Son enrichi par des graves puissants et des aigus fins.

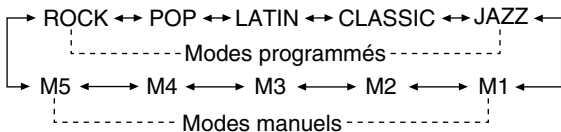
JAZZ: Fréquences basses accentuées pour la musique de type jazz.



Appuyer sur **GEQ**, puis tourner **MULTI JOG** dans les quatre secondes pour sélectionner une des courbes d'égalisation programmées.



"GRAPHIC EQUALIZER" apparaît et le mode d'égalisation graphique est affiché de manière cyclique comme suit.



Pour afficher le mode d'égalisation graphique courant

Appuyer sur **GEQ**. Le mode courant est affiché pendant quatre secondes.

Pour annuler le mode sélectionné

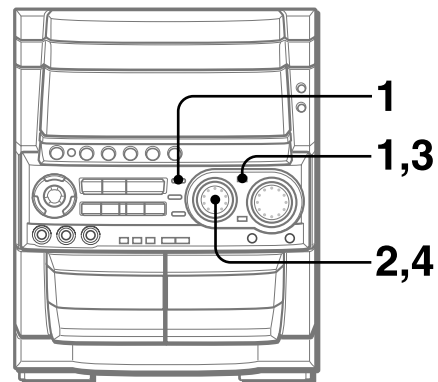
Appuyer deux fois sur **GEQ**.

"GEQ OFF" apparaît et "GRAPHIC EQUALIZER" disparaît.

Pour sélectionner avec la télécommande

Appuyer sur **GEQ** et dans les quatre secondes, appuyer sur **◀◀** ou **▶▶** à plusieurs reprises. Le mode d'égalisation graphique est affiché de manière cyclique comme ci-dessus.

REGLAGE MANUEL D'UNE NOUVELLE COURBE D'ÉGALISATION



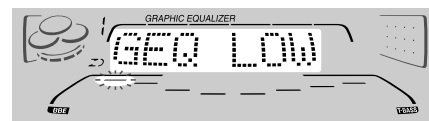
On peut personnaliser une courbe d'égalisation comme on préfère.

1 Appuyer sur **GEQ**, puis appuyer sur **ENTER** dans les quatre secondes.

La courbe d'égalisation personnalisée sera basée sur la courbe actuellement sélectionnée. Pour sélectionner une courbe différente à modifier, tourner **MULTI JOG** avant d'appuyer sur **ENTER**.

L'affichage change et indique "GEQ LOW".

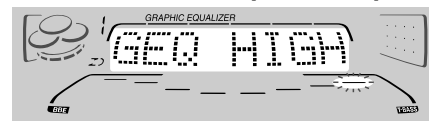
2 Dans les huit secondes, tourner **MULTI JOG** pour régler le niveau de la fréquence la plus basse.



3 Appuyer sur **ENTER** pour faire apparaître "GEO HIGH".

L'indicateur de niveau de la fréquence la plus élevée clignote pendant huit secondes.

4 Dans les huit secondes, tourner **MULTI JOG** pour régler le niveau de la fréquence la plus élevée.



Les niveaux des fréquences comprises entre la plus basse et la plus élevée sont réglés en conséquence.

REMARQUE

Si on ne mémorise par la courbe d'égalisation personnalisée, elle sera perdue lors du passage à une courbe différente ou lors de la pression sur **GEQ**. Pour mémoriser la nouvelle courbe, voir ci-après.

Utilisation d'un casque

Brancher un casque muni d'une fiche stéréo standard (6,3 mm Ø) à la prise **PHONES**.

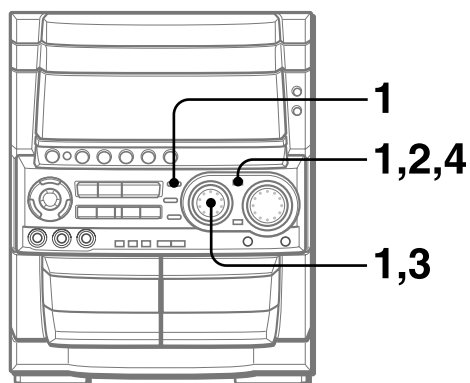
Aucun son ne sort par les enceintes quand un casque est branché.

- Quand un casque est branché, le système DSP SURROUND, le système DOLBY PRO LOGIC et l'entrée 5.1 CH (Voir page 29) ne fonctionnent pas.

Réglage du son pendant l'enregistrement

La commande **VOLUME** n'a aucun effet sur l'enregistrement; mais le système BBE affecte l'enregistrement.

MEMORISATION DES NOUVELLES COURBES D'EGALISATION



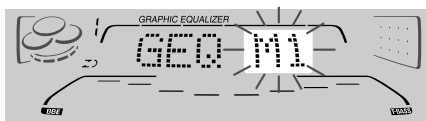
Les modes manuels M1 - M5 permettent de mémoriser jusqu'à cinq courbes d'égalisation personnalisées.

1 Suivre les étapes 1-4 de la partie "Réglage manuel d'une nouvelle courbe d'égalisation".

La courbe créée est affichée pendant huit secondes.

2 Dans les huit secondes, appuyer sur ENTER.

"M 1" clignote sur l'affichage pendant huit secondes.



- Si cette étape n'est pas terminée dans les huit secondes, appuyer d'abord sur **GEQ** pour afficher "GEQ ON". Ensuite, dans les quatre secondes, appuyer sur **ENTER** à plusieurs reprises jusqu'à ce que "M1" clignote.

3 Dans les huit secondes, tourner MULTI JOG pour sélectionner un des modes manuels M1 - M5 pour mémoriser la courbe.

4 Dans les huit secondes, appuyer sur ENTER.

La nouvelle courbe d'égalisation est mémorisée.

Pour sélectionner la courbe d'égalisation mémorisée

Appuyer sur **GEQ**, puis tourner **MULTI JOG** pour sélectionner un des modes manuels M1 - M5 dans les quatre secondes.

Pour régler le volume des enceintes surround

Appuyer deux ou trois fois sur **MANUAL SELECT** de la télécommande.

"S-L" ou "S-R" est affiché pendant quatre secondes. Appuyer sur **◀ DOWN** ou **▶ UP** de la télécommande dans ces quatre secondes.

- Le niveau des enceintes surround DOLBY PRO LOGIC (Voir page 21) et DOLBY DIGITAL SURROUND (Voir page 29) est aussi changé.

REMARQUE

Le mode DSP SURROUND est annulé quand:

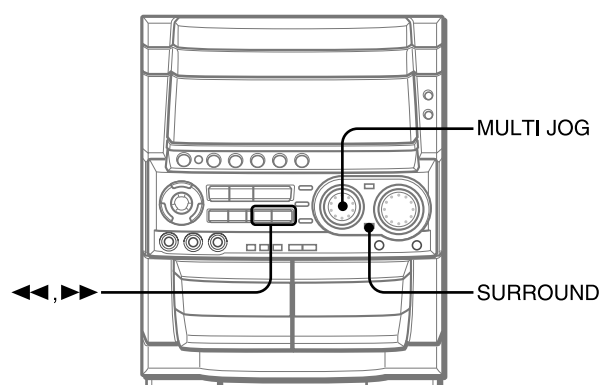
- le niveau d'écho est changé.
- le système DOLBY PRO LOGIC est mis en service.
- un casque est branché.
- l'entrée 5.1 CH (Voir page 29) est sélectionnée.

SURROUND DSP

Le système SURROUND DSP (processeur numérique de signaux) règle le temps de retard, le mode d'entrée et le niveau de rétroaction pour donner un son surround résonnant reproduisant avec réalisme la présence sonore de différents environnements.

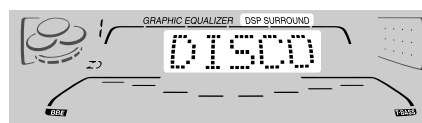
Cet appareil a été programmé avec cinq modes SURROUND différents.

SELECTION D'UN MODE SURROUND DSP PROGRAMME



Cinq modes SURROUND DSP offrent la présence sonore d'une discothèque (DISCO), d'une représentation musicale en public (LIVE), d'un stade (STADIUM), d'une salle de concert (HALL) et d'un cinéma (MOVIE). (Les indications entre parenthèses sont celles qui apparaissent sur l'affichage.)

Appuyer sur **SURROUND**, puis tourner **MULTI JOG** ou appuyer sur **◀** ou **▶** à plusieurs reprises pour sélectionner le mode programmé souhaité dans les quatre secondes.



"DSP SURROUND" apparaît et le mode SURROUND DSP est affiché de manière cyclique comme suit.



Les courbes d'égalisation sont sélectionnées automatiquement en fonction des modes SURROUND DSP et peuvent aussi être sélectionnées manuellement ou annulées comme on préfère.

Pour afficher le mode SURROUND DSP courant

Appuyer sur **SURROUND**. Le mode courant est affiché pendant quatre secondes.

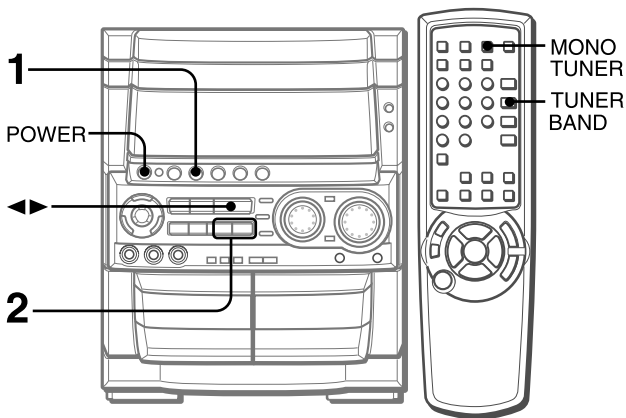
Pour annuler le mode sélectionné

Appuyer deux fois sur **SURROUND**. "DSP OFF" apparaît et "DSP SURROUND" disparaît.

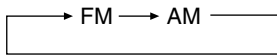
Quand la source musicale est monophonique

Sélectionner "LIVE", "STADIUM" ou "MOVIE" pour obtenir un effet stéréo simulé. Quand "DISCO" ou "HALL" est sélectionné, le son n'est pas audible par les enceintes surround.

ACCORD MANUEL



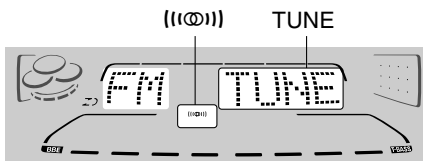
1 Appuyer sur TUNER/BAND à plusieurs reprises pour sélectionner la gamme souhaitée.



Quand on appuie sur **TUNER/BAND** alors que l'alimentation est coupée, l'appareil est mis sous tension directement.

2 Appuyer sur ◀◀ DOWN ou ▶▶ UP pour sélectionner une station.

A chaque pression sur la touche, la fréquence change. Quand une station est reçue, "TUNE" est affiché pendant deux secondes. Pendant la réception FM stéréo, ((Ⓜ)) est affiché.



Pour rechercher une station rapidement (Recherche automatique)

Tenir ◀◀ **DOWN** ou ▶▶ **UP** enfoncée jusqu'à ce que la fréquence commence à changer rapidement. Après l'accord sur une station, la recherche s'arrête. Pour arrêter la recherche automatique manuellement, appuyer sur ◀◀ **DOWN** ou ▶▶ **UP**.

• La recherche automatique risque de ne pas s'arrêter aux stations dont les signaux sont très faibles.

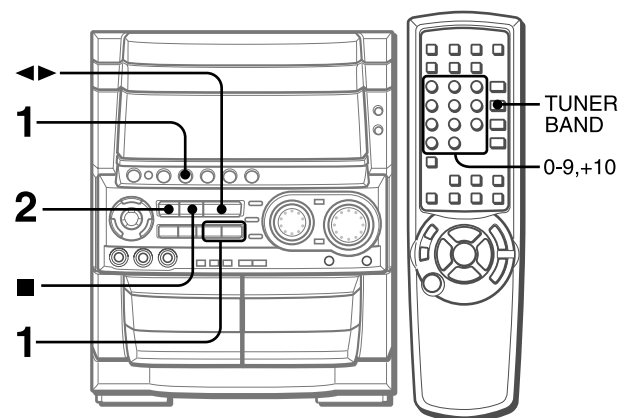
Quand une émission FM stéréo contient des parasites
Appuyer sur **MONO TUNER** de la télécommande de manière que "MONO" apparaisse sur l'affichage. Les parasites sont réduits, mais la réception est monophonique. Pour rétablir la réception stéréophonique, répéter l'opération ci-dessus de manière que "MONO" disparaisse.

Pour changer l'intervalle d'accord AM
Le réglage par défaut de l'intervalle d'accord AM est de 10 kHz par pas. Si on utilise cet appareil dans une région où le système d'allocation de fréquences est de 9 kHz par pas, changer l'intervalle d'accord. Appuyer sur **POWER** tout en appuyant sur **TUNER/BAND**. Pour rétablir l'intervalle initial, procéder de la même façon.

REMARQUE

Quand on change l'intervalle d'accord AM, toutes les stations mémorisées sont supprimées. Une nouvelle mémorisation est alors nécessaire.

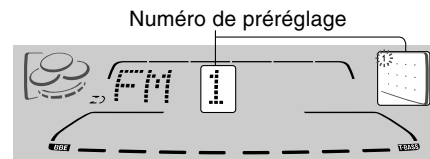
MEMORISATION DE STATIONS



L'appareil peut mémoriser un total de 32 stations. Quand une station est mémorisée, un numéro de pré-réglage lui est affecté. Pour accorder directement l'appareil sur une station mémorisée, utiliser le numéro de pré-réglage correspondant.

1 Appuyer sur TUNER/BAND pour sélectionner une gamme, puis appuyer sur ◀◀ DOWN ou ▶▶ UP pour sélectionner une station.

2 Appuyer sur ■ SET pour mémoriser la station.
Un numéro de pré-réglage est affecté à la station, à partir de 1 dans l'ordre consécutif pour chaque gamme.



3 Répéter les étapes 1 et 2.
Le station suivante ne sera pas mémorisée si un total de 32 stations ont déjà été mémorisées pour toutes les gammes.

REMARQUE

"FULL" est affiché si on tente de mémoriser plus de 32 stations.

ACCORD PAR NUMERO DE PREREGLAGES

Utiliser la télécommande pour sélectionner le numéro de pré-réglage directement.

1 Appuyer sur TUNER BAND pour sélectionner une gamme.

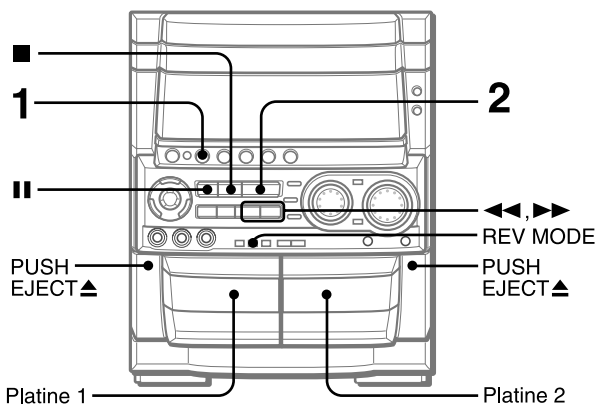
2 Utiliser les touches numériques 0-9 et +10 pour sélectionner un numéro de pré-réglage.

Exemple:
Pour sélectionner le numéro de pré-réglage 20, appuyer sur **+10**, **+10** et **0**.
Pour sélectionner le numéro de pré-réglage 15, appuyer sur **+10** et **5**.

Sélection d'un numéro de pré-réglage sur l'appareil principal
Appuyer sur **TUNER/BAND** pour sélectionner une gamme. Ensuite, appuyer sur ◀▶ à plusieurs reprises ou tourner **MULTI JOG**. A chaque pression sur ◀▶, le numéro supérieur suivant est sélectionné.

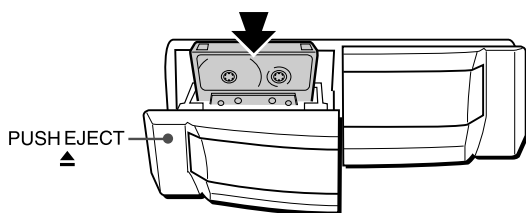
Pour supprimer une station mémorisée
Sélectionner le numéro de pré-réglage de la station à supprimer. Ensuite, appuyer sur ■ **CLEAR**, puis appuyer sur ■ **SET** dans les quatre secondes. Les numéros de pré-réglage supérieurs de toutes les autres stations de la gamme sont diminués d'une unité.

OPERATIONS DE BASE



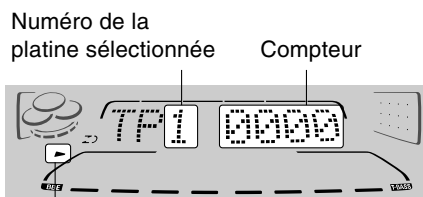
- Avec la platine 1, les cassettes sont toujours lues sur les deux faces.
Avec la platine 2, on peut choisir un mode d'inversion pour lire une face ou les deux.
- Pour la lecture, utiliser des cassettes de type I (normales), de type II (haute polarisation/CrO₂) ou de type IV (métal).

1 Appuyer sur TAPE/DECK 1/2 puis appuyer sur PUSH EJECT ▲ pour ouvrir le porte-cassette.



Insérer une cassette avec le côté exposé du ruban magnétique en bas. Pousser le porte-cassette pour le fermer.

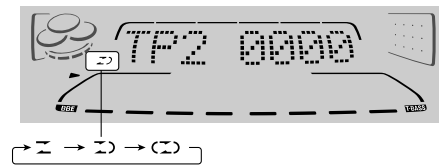
2 Appuyer sur ◀▶ pour démarrer la lecture.



- ▶: La face avant (orientée vers l'avant) est lue.
- ◀: La face arrière (orientée vers l'arrière) est lue.

Pour sélectionner un mode d'inversion (platine 2 seulement)

A chaque pression sur **REV MODE**, le mode d'inversion change.



Pour lire une seule face, sélectionner ◀.

Pour lire de la face avant à la face arrière une seule fois, sélectionner ▶.

Pour lire les deux faces à plusieurs reprises, sélectionner ◀▶.

- Quand il y a des cassettes dans les deux platines, ◀▶ sur l'affichage signifie "Lecture continue".

Pour sélectionner une platine de lecture

Quand il y a des cassettes en place dans les deux platines, appuyer d'abord sur **TAPE/DECK 1/2** pour sélectionner une platine.

Le numéro de la platine sélectionnée est affiché.

Pour arrêter la lecture, appuyer sur ■.

Pour mettre la lecture en pause (platine 2 seulement), appuyer sur II. Pour reprendre la lecture, appuyer de nouveau sur cette touche.

Pour changer de face lue, appuyer sur ◀▶ pendant la lecture ou le mode pause.

Pour obtenir une avance rapide ou un rembobinage, appuyer sur ◀◀ ou ▶▶. Ensuite, appuyer sur ■ pour arrêter le défilement.

Pour démarrer la lecture quand l'alimentation est coupée (fonction de lecture directe)

Appuyer sur **TAPE/DECK 1/2**. L'appareil est mis sous tension et la lecture de la cassette en place commence.

Pour mettre le compteur à 0000

Appuyer sur ■ **CLEAR** dans le mode arrêt.

Le compteur est aussi mis à 0000 quand on ouvre et ferme le porte-cassette.

SENSEUR DE MUSIQUE

S'il y a un blanc de quatre secondes ou plus entre les plages, on peut retrouver facilement le début de la plage courante ou suivante pendant la lecture.

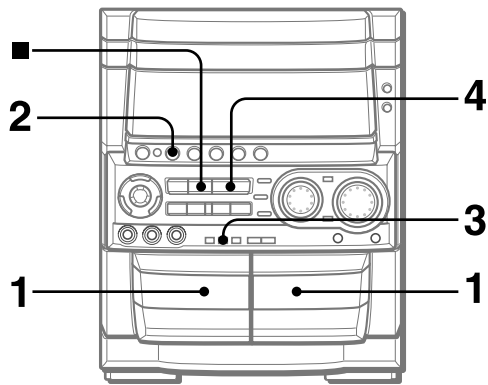
Appuyer sur ◀◀ ou ▶▶ pendant la lecture en vérifiant l'indicateur de face lue (◀ ou ▶) affiché.

Par exemple, si on appuie sur ▶▶ tandis que l'indicateur ▶ est affiché, la lecture de la plage suivante démarre.

La fonction senseur de musique risque de ne pas pouvoir détecter les plages dans les cas suivants:

- blancs de moins de quatre secondes entre les plages.
- blancs présentant des parasites.
- longs passages à bas niveau.
- enregistrements à bas niveau.

LECTURE CONTINUE

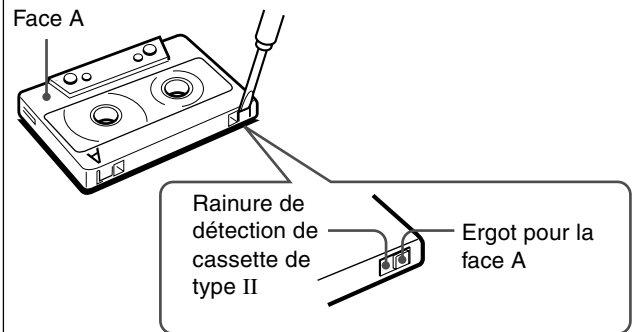


Une fois que la lecture sur une platine est terminée, la lecture de la cassette de l'autre platine démarre sans interruption.

- 1 Insérer des cassettes dans les platines 1 et 2.**
- 2 Appuyer sur TAPE/DECK 1/2 pour sélectionner la platine à utiliser en premier.**
- 3 Appuyer sur REV MODE pour sélectionner ⏮.**
- 4 Appuyer sur ◀▶ pour démarrer la lecture.**
La lecture continue jusqu'à ce qu'on appuie sur ■.

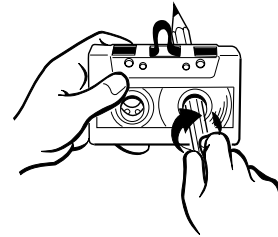
Au sujet des cassettes

- **Pour éviter un effacement accidentel**, utiliser un tournevis ou tout autre objet effilé pour casser les ergots en plastique de la cassette après l'enregistrement.

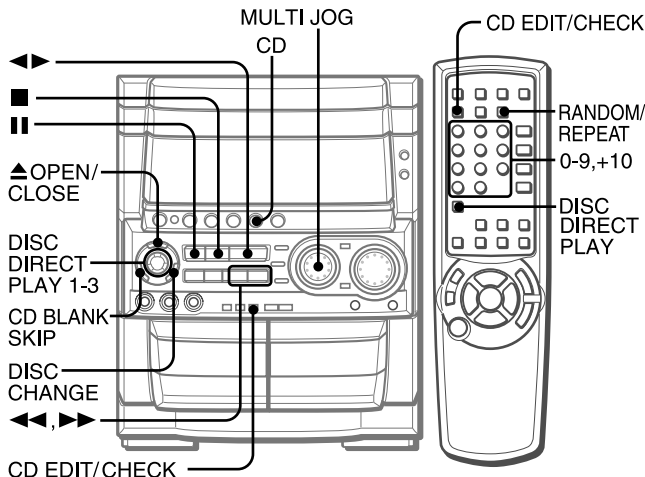


Pour enregistrer de nouveau sur une cassette, recouvrir les cavités des ergots avec du ruban adhésif ou autre. (Sur les cassettes de type II, faire attention à ne pas recouvrir la rainure de détection de cassette de type II.)

- **Le ruban magnétique des cassettes de 120 minutes ou plus** est extrêmement fin et se déforme et s'endommage facilement. Ces cassettes ne sont pas recommandées.
- **Tendre le ruban magnétique** avec un crayon ou un objet similaire avant d'utiliser une cassette. Un ruban magnétique détendu peut se rompre ou s'emmêler dans le mécanisme.



OPERATIONS DE BASE



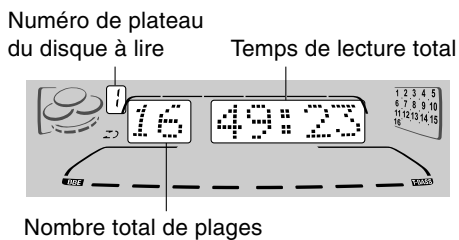
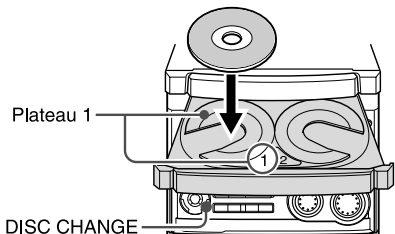
MISE EN PLACE DE DISQUES

Appuyer sur **CD**, puis appuyer sur **▲ OPEN/CLOSE** pour ouvrir le compartiment à disques. Mettre le(s) disque(s) en place avec le côté portant l'étiquette en haut.

Pour lire un ou deux disques, mettre les disques sur les plateaux 1 et 2.

Pour lire trois disques, appuyer sur **DISC CHANGE** pour faire tourner les plateaux après avoir mis deux disques en place. Mettre le troisième disque sur le plateau 3.

Fermer le compartiment à disques en appuyant sur **▲ OPEN/CLOSE**.

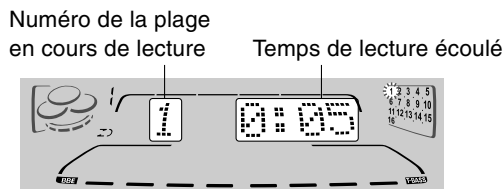


LECTURE DE DISQUES

Mettre des disques en place.

Pour lire tous les disques situés dans le compartiment, appuyer sur **◀▶**.

La lecture commence par le disque du plateau 1.



Pour lire un disque seulement, appuyer sur une des touches **DISC DIRECT PLAY 1-3**.

Le disque sélectionné est lu une fois.

Pour arrêter la lecture, appuyer sur **■**.

Pour mettre la lecture en pause, appuyer sur **⏸**. Pour reprendre la lecture, appuyer de nouveau sur cette touche.

Pour rechercher un point particulier pendant la lecture, tenir **◀▶** enfoncée jusqu'à ce que le point souhaité soit atteint.

Pour sauter au début d'une plage pendant la lecture, appuyer sur **◀▶** à plusieurs reprises ou tourner **MULTI JOG**.

Pour enlever des disques, appuyer sur **▲ OPEN/CLOSE**.

Pour démarrer la lecture quand l'alimentation est coupée (fonction de lecture directe)

Appuyer sur **CD**. L'appareil est mis sous tension et la lecture du (des) disque(s) en place commence.

Quand on appuie sur **▲ OPEN/CLOSE**, l'appareil est aussi mis sous tension et le compartiment à disques s'ouvre.

Pour vérifier le temps restant

Pendant la lecture (excepté la lecture aléatoire ou la lecture programmée), appuyer sur **CD EDIT/CHECK**. Le temps restant jusqu'à ce que toutes les plages soient lues est affiché. Pour rétablir l'affichage du temps de lecture, répéter cette opération.

Sélection d'une plage avec la télécommande

1 Appuyer sur **DISC DIRECT PLAY** et, dans les trois secondes, appuyer sur **1**, **2** ou **3** pour sélectionner un disque.

2 Utiliser les touches numériques **0-9** et **+10** pour sélectionner une plage.

Exemple:

Pour sélectionner la vingt-cinquième plage, appuyer sur **+10**, **+10** et **5**.

Pour sélectionner la dixième plage, appuyer sur **+10** et **0**.

La lecture démarre à la plage sélectionnée et continue jusqu'à la fin du disque.

Changement de disques pendant la lecture

Pendant qu'un disque est en lecture, on peut remplacer les autres disques sans interrompre la lecture.

1 Appuyer sur **DISC CHANGE**.

2 Enlever les disques et les remplacer par d'autres disques.

3 Appuyer sur **▲ OPEN/CLOSE** pour fermer le compartiment à disques.

REMARQUE

- Pour mettre un disque de 8 cm en place, le poser dans le renforcement circulaire du plateau.
- Ne pas mettre plus d'un disque compact sur un plateau.
- Ne pas incliner l'appareil avec des disques en place. Cela pourrait provoquer des pannes.
- Ne pas utiliser des disques compacts de forme irrégulière (par ex. disques en forme de cœur ou octogonaux). Cela pourrait provoquer des pannes.
- Du fait de différences de plates-formes l'appareil risque de ne pas pouvoir lire un disque CD-R/RW qui a été enregistré sur un ordinateur personnel ou sur toute autre sorte de graveur de CD-R/RW.
- Ne pas apposer d'autocollant ou d'étiquette sur les côtés (côté enregistrable et côté marqué) d'un disque CD-R/RW. Cela pourrait provoquer une panne.

LECTURE ALEATOIRE/REPETEE

Utiliser la télécommande.

Lecture aléatoire

Toutes les plages du disque sélectionné ou tous les disques peuvent être lus dans un ordre aléatoire.


Lecture répétée

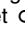
Un seul disque ou tous les disques peuvent être lus à plusieurs reprises.

Appuyer sur RANDOM/REPEAT.


A chaque pression sur les touches, la fonction peut être sélectionnée de façon cyclique.

Lecture aléatoire — RANDOM s'allume sur l'affichage.

Lecture répétée —  s'allume sur l'affichage.

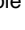
Lecture aléatoire/répétée — RANDOM et  s'allument sur l'affichage.

Annulation — RANDOM et  disparaissent de l'affichage.

Pour lire tous les disques, appuyer sur  pour démarrer la lecture.

Pour lire un seul disque, appuyer **DISC DIRECT PLAY** et, dans les trois secondes, appuyer sur **1**, **2** ou **3** pour démarrer la lecture.


REMARQUE

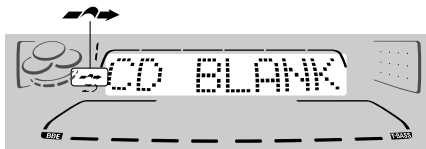
Pendant la lecture aléatoire, il est impossible de sauter à la plage précédemment lue en appuyant sur .

LECTURE AVEC SAUT DES BLANCS

Les parties vierges se trouvant entre les plages enregistrées sur un disque compact peuvent être sautées pendant la lecture.

1 Appuyer sur CD BLANK SKIP.


"CD BLANK SKIP ON" est affiché et  apparaît sur l'affichage.



2 Appuyer sur pour démarrer la lecture.

Les parties vierges se trouvant entre les plages sont sautées, et le son est lu sans interruption. Si le son d'une plage s'affaiblit (si la plage se termine avec une diminution progressive du niveau sonore), la partie de l'affaiblissement est aussi sautée.

Pour revenir à la lecture normale

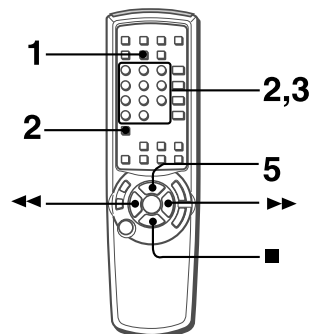
Appuyer de nouveau sur **CD BLANK SKIP**; "CD BLANK SKIP OFF" est affiché et  disparaît de l'affichage.

REMARQUE

- Il peut y avoir des cas où la lecture avec saut des blancs ne fonctionne pas correctement.
- La lecture avec saut des blancs est automatiquement annulée lors de l'ENREGISTREMENT AVEC MONTAGE ET CALCUL DU TEMPS (voir page 19), lors de l'ENREGISTREMENT AVEC MONTAGE PROGRAMME (voir page 20) ou lors de l'enregistrement pendant la LECTURE PROGRAMMEE (voir ci-après) ou la LECTURE ALEATOIRE (voir ci-dessus).

LECTURE PROGRAMMEE

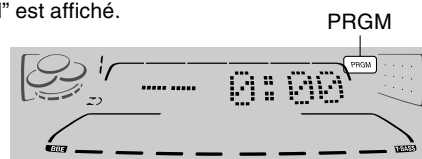
On peut programmer un maximum de 30 plages de n'importe lequel des disques en place.



Utiliser la télécommande.

1 Appuyer sur deux fois PRGM en mode arrêt.

"PRGM" est affiché.



- Quand on appuie une fois sur **PRGM** à l'étape 1, l'appareil passe au PROGRAMME DE KARAOKE (voir page 24).

2 Appuyer sur DISC DIRECT PLAY et, dans les trois secondes, appuyer sur 1, 2 ou 3 pour sélectionner un disque.

Passer à l'étape suivante quand le plateau arrête de tourner.

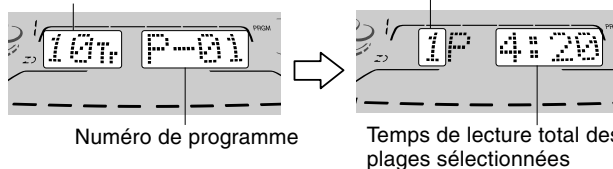
3 Utiliser les touches numériques 0-9 et +10 pour programmer une plage.

Exemple:

Pour sélectionner la vingt-cinquième plage, appuyer sur **+10**, **+10** et **5**.

Pour sélectionner la dixième plage, appuyer sur **+10** et **0**.



Numéro de la plage sélectionnée Nombre total de plages sélectionnées



4 Répéter les étapes 2 et 3 pour programmer d'autres plages.

5 Appuyer sur pour démarrer la lecture.

Pour vérifier le programme

A chaque pression sur  ou  dans le mode arrêt, un numéro de disque, un numéro de plage et un numéro de programme sont affichés.

Pour effacer le programme

Appuyer sur  **CLEAR** en mode arrêt.


Pour ajouter des plages au programme

Répéter les étapes 2 et 3 dans le mode arrêt. La plage sera programmée à la suite de la dernière.

Pour changer les plages programmées

Effacer le programme puis répéter toutes les étapes.

Pour lire les plages programmées à plusieurs reprises

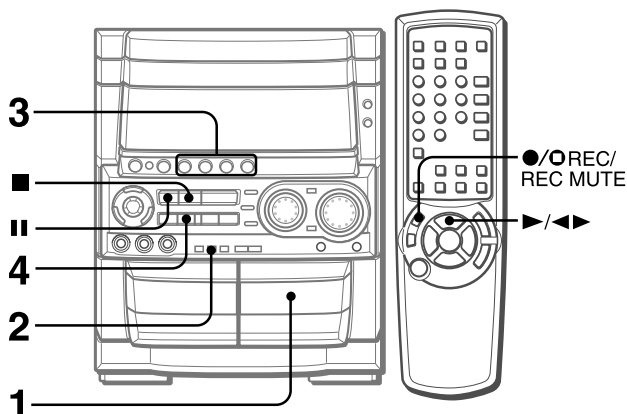
Après la programmation des plages, appuyer sur **RANDOM/REPEAT** à plusieurs reprises jusqu'à ce que  apparaisse sur l'affichage.

REMARQUE

- Pendant la lecture programmée, on ne peut pas effectuer la lecture aléatoire, contrôler le temps restant et sélectionner un disque ou une plage. "Can't USE" est affiché si on tente de sélectionner une plage.
- "FULL" est affiché si on tente de programmer plus de 30 plages.

ENREGISTREMENT DE BASE

Cette partie explique comment enregistrer à partir du tuner, du lecteur de disques compacts ou d'un appareil externe.

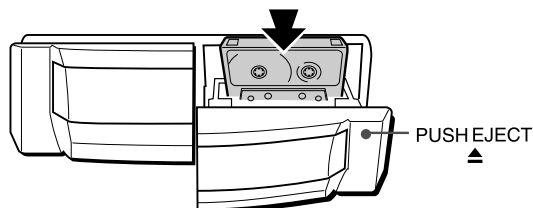


Préparation

- Pour l'enregistrement, utiliser des cassettes de type I (normales) ou de type II (haute polarisation/CrO₂).
- Bobiner la cassette jusqu'à l'endroit où on veut démarrer l'enregistrement.

1 Insérer la cassette à enregistrer dans la platine

Insérer la cassette avec la face à enregistrer en premier orientée vers l'extérieur de l'appareil.



2 Appuyer sur REV MODE pour sélectionner le mode d'inversion.

Pour enregistrer sur une face seulement, sélectionner $\bar{\square}$.
 Pour enregistrer sur les deux faces, sélectionner $\bar{\square}$ ou \square .

3 Sélectionner la fonction (TUNER/BAND, VIDEO/AUX/5.1CH, CD ou MD) et préparer la source à partir de laquelle on veut enregistrer.

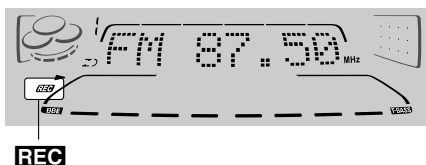
Pour enregistrer à partir d'un disque compact, appuyer sur CD et mettre le(s) disque(s) compact(s) en place.

Pour enregistrer une émission de radio, appuyer sur TUNER/BAND et accorder sur une station.

Pour enregistrer à partir d'une source connectée, appuyer sur VIDEO/AUX/5.1CH ou MD.

4 Appuyer sur ● REC/REC MUTE pour démarrer l'enregistrement.

Lors de l'enregistrement à partir d'une source connectée, mettre cette source en lecture.



Quand la fonction sélectionnée est CD, la lecture et l'enregistrement démarrent simultanément.

Pour arrêter l'enregistrement, appuyer sur ■.
 Pour mettre l'enregistrement en pause, appuyer sur ||.
 (Applicable quand la source est TUNER, VIDEO/AUX/5.1CH ou MD.) Pour reprendre l'enregistrement, appuyer de nouveau sur cette touche.

Pour démarrer l'enregistrement avec la télécommande
 Appuyer d'abord sur ●/○ REC/REC MUTE, puis appuyer sur >/< dans les deux secondes qui suivent.

Réglage du son pendant l'enregistrement
 La commande VOLUME n'a aucun effet sur l'enregistrement; mais le système BBE affecte l'enregistrement.

REMARQUE
 Lors de l'enregistrement d'une source externe connectée via les prises VIDEO/AUX ou les prises MD, le petit point situé près de "C" reste allumé sur l'affichage si le niveau d'entrée est trop élevé. Le cas échéant, arrêter l'enregistrement et régler le niveau d'entrée de manière que le point s'allume par intermittence (page 28).

INSERTION D'ESPACES BLANCS

L'insertion d'espaces blancs de quatre secondes permet l'utilisation de la fonction senseur de musique. (Applicable quand la source est TUNER/BAND, VIDEO/AUX/5.1CH ou MD.)

1 Appuyer sur ● REC/REC MUTE pendant l'enregistrement ou pendant le mode pause d'enregistrement.

REC clignote sur l'affichage pendant quatre secondes et un espace blanc de quatre secondes est fait. Ensuite, la platine passe au mode pause d'enregistrement.

2 Appuyer sur || pour reprendre l'enregistrement.

Pour insérer un espace blanc de moins de quatre secondes, appuyer de nouveau sur ● REC/REC MUTE tandis que REC clignote.

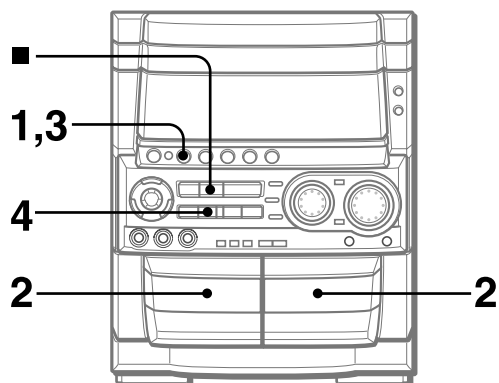
Pour insérer des espaces blancs de plus de quatre secondes, appuyer de nouveau sur ● REC/REC MUTE une fois que la platine passe au mode pause d'enregistrement. A chaque pression sur la touche, un espace blanc de quatre secondes est ajouté.

REMARQUE
 "Can't REC" est affiché si on tente d'enregistrer sur une cassette dont les ergots en plastique sont cassés.

Pour effacer un enregistrement
 S'assurer qu'aucun microphone n'est connecté à cet appareil. Régler le volume de microphone et le niveau d'écho sur OFF (page 23).

- 1 Insérer la cassette à effacer dans la platine 2 et appuyer sur TAPE/DECK 1/2 pour afficher "TP 2".
- 2 Bobiner la cassette jusqu'à l'endroit où on veut démarrer l'effacement.
- 3 Régler le mode d'inversion en appuyant sur REV MODE.
- 4 Appuyer sur ● REC/REC MUTE pour démarrer l'effacement.

DUPLICATION MANUELLE D'UNE CASSETTE



REMARQUE

- Bobiner la cassette jusqu'à l'endroit où on veut démarrer l'enregistrement.
- Le mode d'inversion est automatiquement réglé sur Σ .
Remarque que l'enregistrement ne sera fait que sur une face de la cassette.

1 Appuyer sur TAPE/DECK 1/2.

2 Insérer la cassette originale dans la platine 1 et la cassette à enregistrer dans la platine 2.

Insérer chaque cassette avec la face à lire ou à enregistrer orientée vers l'extérieur de l'appareil.

3 Appuyer sur TAPE/DECK 1/2 pour sélectionner la platine 1.

"TP 1" est affiché.

4 Appuyer sur ● REC/REC MUTE pour démarrer l'enregistrement.

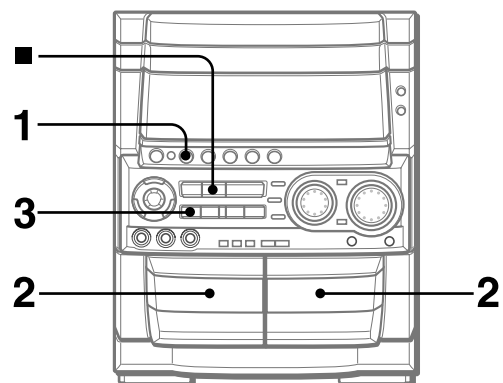
La lecture et l'enregistrement démarrent simultanément.



Pour arrêter la duplication

Appuyer sur ■.

DUPLICATION DE LA TOTALITE D'UNE CASSETTE



Cette fonction permet de faire des copies exactes des deux faces de la cassette originale. Les faces arrière des deux cassettes démarrent en même temps dès que la cassette la plus longue a été inversée.

REMARQUE

- La duplication ne démarre pas à un point situé au milieu d'une face.
- Le mode d'inversion est automatiquement réglé sur Σ .

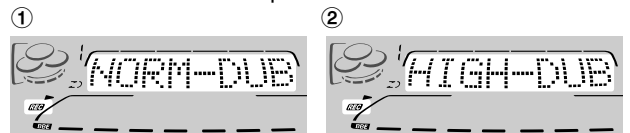
1 Appuyer sur TAPE/DECK 1/2.

2 Insérer la cassette originale dans la platine 1 et la cassette à enregistrer dans la platine 2.

Insérer chaque cassette avec la face à lire ou à enregistrer orientée vers l'extérieur de l'appareil.

3 Appuyer une ou deux fois sur SYNC DUB pour démarrer l'enregistrement.

- ① Pour enregistrer à vitesse normale, appuyer une fois sur la touche de manière que NORM-DUB soit affiché.
- ② Pour enregistrer à grande vitesse, appuyer deux fois sur la touche de manière que HIGH-DUB soit affiché.



Les cassettes sont rembobinées jusqu'au début des faces avant, puis l'enregistrement démarre.

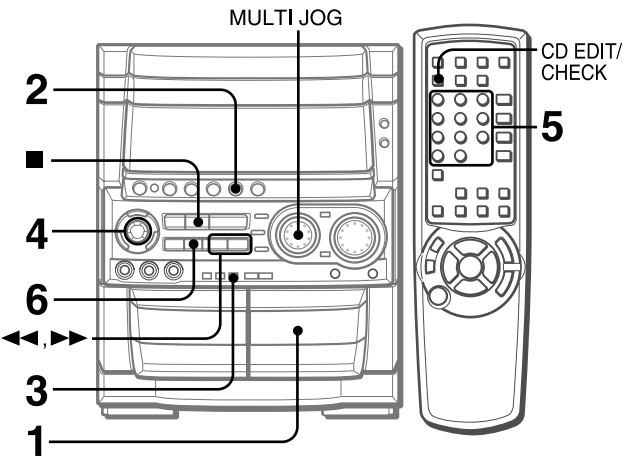
Pour arrêter la duplication

Appuyer sur ■.

REMARQUE

Si l'ergot de sécurité d'une face ou l'autre de la cassette est absent, l'enregistrement ne démarre pas.

ENREGISTREMENT AVEC MONTAGE ET CALCUL DU TEMPS

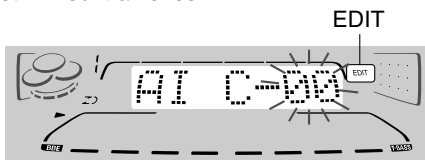


La fonction enregistrement avec montage et calcul du temps permet d'enregistrer à partir de disques compacts sans se préoccuper de la durée de la cassette et de la durée des plages. Quand un disque compact est en place, l'appareil calcule automatiquement la durée totale des plages. Si nécessaire, l'ordre des plages est changé de manière qu'aucune plage ne soit tronquée.
(AI: Intelligence Artificielle)

REMARQUE

L'enregistrement avec montage et calcul du temps ne démarrera pas à un point situé au milieu d'une face. La cassette doit être enregistrée à partir du début d'une de ses faces.

- 1 Insérer la cassette dans la platine 2.**
Insérer la cassette avec la face à enregistrer en premier orientée vers l'extérieur de l'appareil.
- 2 Appuyer sur CD et mettre le(s) disque(s) en place.**
- 3 Appuyer une fois sur CD EDIT/CHECK.**
"EDIT" et "AI" sont affichés.



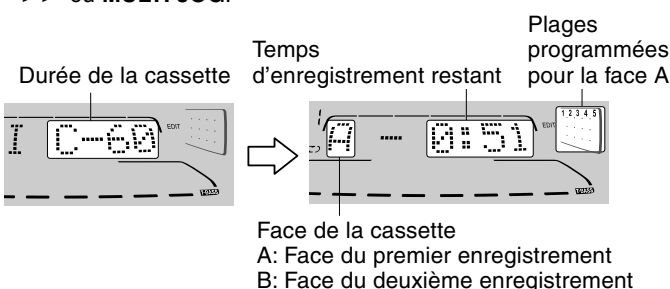
• Si "PRGM" est affiché, appuyer sur **CD EDIT/CHECK**.

- 4 Appuyer sur une des touches DISC DIRECT PLAY 1-3 pour sélectionner un disque.**
- 5 Utiliser les touches numériques 0-9 de la télécommande pour spécifier la durée de la cassette.**

On peut spécifier une durée de 10 à 99 minutes.
Exemple: Quand on utilise une cassette de 60 minutes, appuyer sur **6** et **0**.

En quelques secondes, les plages à enregistrer sur chaque face de la cassette sont déterminées.

• La durée de la cassette peut aussi être spécifiée avec **◀◀**, **▶▶** ou **MULTI JOG**.



- 6 Appuyer sur ● REC/REC MUTE pour démarrer l'enregistrement sur la première face.**

La cassette est rembobinée jusqu'au début de la face avant, l'amorce est lue pendant dix secondes, puis l'enregistrement démarre. Une fois que l'enregistrement sur la face avant (face A) est terminé, l'enregistrement sur la face arrière (face B) démarre.

Pour arrêter l'enregistrement

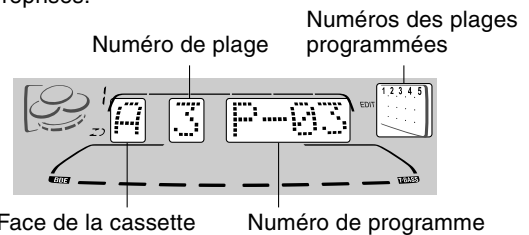
Appuyer sur **■**. L'enregistrement de la cassette et la lecture du disque compact s'arrêtent simultanément.

Pour effacer le programme du montage

Appuyer deux fois sur **■ CLEAR** de manière que "EDIT" disparaisse de l'affichage.

Pour contrôler l'ordre des numéros des plages programmées

Avant l'enregistrement, appuyer sur **CD EDIT/CHECK** pour sélectionner la face A ou B, puis appuyer sur **◀◀** ou **▶▶** à plusieurs reprises.



Pour ajouter des plages d'autres disques au programme du montage

S'il reste du temps sur la cassette après l'étape 5, on peut ajouter des plages des autres disques situés dans le compartiment.

- 1** Appuyer sur **CD EDIT/CHECK** pour sélectionner la face A ou B.
- 2** Appuyer sur une des touches **DISC DIRECT PLAY 1-3** pour sélectionner un disque.
- 3** Sélectionner les plages à l'aide des touches numériques de la télécommande. Une plage dont la durée de lecture est supérieure au temps restant ne peut pas être programmée.
- 4** Répéter les étapes 2 et 3 pour ajouter d'autres plages.

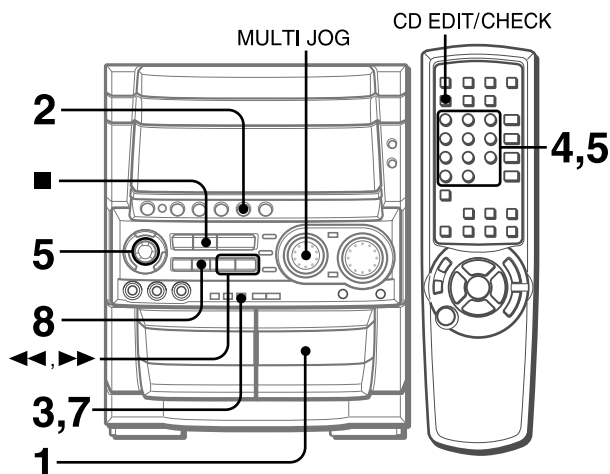
Durée des cassettes et temps du montage

La durée réelle d'une cassette est en général légèrement supérieure à celle indiquée sur l'étiquette. Cet appareil peut programmer des plages pour utiliser le temps en excès. Quand, après le montage, la durée totale d'enregistrement est légèrement supérieure à la durée spécifiée pour la cassette, l'affichage indique le temps en excès (sans signe moins) au lieu du temps restant de la face de la cassette (avec le signe moins).

REMARQUE

- La fonction enregistrement avec montage et calcul du temps ne peut pas être utilisée avec les disques contenant 31 plages ou plus. "TR OVER" est affiché si un tel disque est utilisé.
- Si l'ergot de sécurité d'une face ou l'autre de la cassette est absent, l'enregistrement ne se fait pas.

ENREGISTREMENT AVEC MONTAGE PROGRAMME



La fonction enregistrement avec montage programmé permet de programmer les plages tout en contrôlant le temps restant sur chaque face de la cassette.

REMARQUE

L'enregistrement avec montage programmé ne démarrera pas à un point situé au milieu d'une face. La cassette doit être enregistrée à partir du début d'une de ses faces.

1 Insérer la cassette dans la platine 2.

Insérer la cassette avec la face à enregistrer en premier orientée vers l'extérieur de l'appareil.

2 Appuyer sur CD et mettre le(s) disque(s) en place.

3 Appuyer deux fois sur CD EDIT/CHECK.

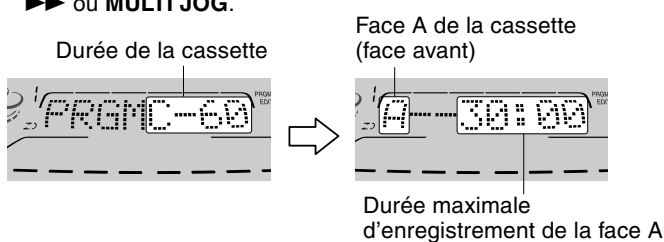
"EDIT" et "PRGM" sont affichés.

- Si "A1" est affiché, appuyer de nouveau sur CD EDIT/CHECK.

4 Utiliser les touches numériques de la télécommande pour spécifier la durée de la cassette.

On peut spécifier une durée de 10 à 99 minutes.

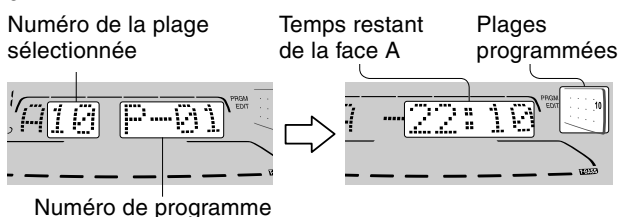
- La durée de la cassette peut aussi être spécifiée avec ◀▶, ▶▶ ou MULTI JOG.



5 Appuyer sur une des touches DISC DIRECT PLAY 1-3 pour sélectionner un disque.

Ensuite, utiliser les touches numériques 0-9 et +10 de la télécommande pour programmer une plage.

Exemple: Pour sélectionner la dixième plage du disque 2, appuyer sur DISC DIRECT PLAY 2, puis appuyer sur +10 et 0.



6 Répéter l'étape 5 pour le reste des plages de la face A.

Une plage dont la durée de lecture est supérieure au temps restant ne peut pas être programmée.

7 Appuyer sur CD EDIT/CHECK pour sélectionner la face B, puis programmer les plages pour cette face.

Après s'être assuré que "B" est affiché, répéter l'étape 5.

Face B de la cassette (face arrière)



8 Appuyer sur ● REC/REC MUTE pour démarrer l'enregistrement.

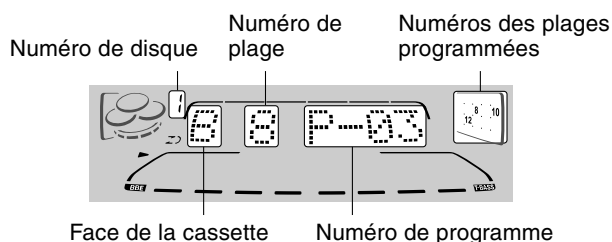
La cassette est rembobinée jusqu'au début de la face avant, l'amorce est lue pendant dix secondes, puis l'enregistrement démarre. Une fois que l'enregistrement sur la face avant (A) est terminé, l'enregistrement sur la face arrière (B) démarre.

Pour arrêter l'enregistrement

Appuyer sur ■. L'enregistrement de la cassette et la lecture du disque compact s'arrêtent simultanément.

Pour contrôler l'ordre des numéros des plages programmées

Avant l'enregistrement, appuyer sur CD EDIT/CHECK pour sélectionner la face A ou B, puis appuyer sur ◀▶ à plusieurs reprises.



Pour changer le programme de chaque face

Appuyer sur CD EDIT/CHECK pour sélectionner la face A ou B, puis appuyer sur ■ CLEAR pour effacer le programme de la face sélectionnée. Ensuite, reprogrammer des plages.

Pour effacer le programme du montage

Appuyer deux fois sur ■ CLEAR de manière que "EDIT" disparaisse de l'affichage.

REMARQUE

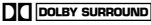
- On peut programmer un maximum de 30 plages de n'importe lequel des disques en place.
- "FULL" est affiché si on tente de programmer plus de 30 plages.
- Si l'ergot de sécurité d'une face ou l'autre de la cassette est absent, l'enregistrement ne se fait pas.

DOLBY PRO LOGIC

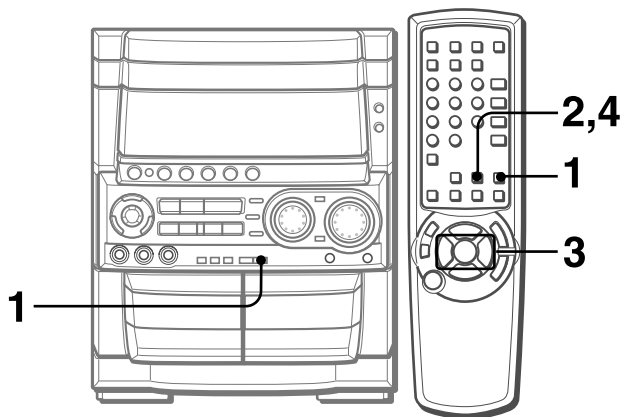
Le système DOLBY PRO LOGIC et les enceintes centrale et arrière (fournies d'origine) assurent un son "Home Theater" intégral. Lors de la lecture de disques laser ou de supports vidéo qui ont été enregistrés avec Dolby Surround, un son étonnamment plein de réalisme entoure l'auditeur pour créer un nouveau niveau de divertissement audio/visuel.

La commande indépendante des cinq voies sonores permet à l'auditeur d'obtenir le même type de reproduction sonore que dans une salle de cinéma. Les parties vocales sont reproduites à l'avant et au centre du champ sonore, tandis que les sons ambiants tels que ceux d'automobiles et de foules sont reproduits sur tous les côtés de l'auditeur pour une expérience audio/vidéo pleine de réalisme. Prière de lire la partie suivante attentivement pour "accorder" la sortie de la chaîne en fonction des caractéristiques de l'espace d'écoute.

Contrôler les points suivants:

- Avant d'utiliser le système DOLBY PRO LOGIC, régler correctement la balance des niveaux sonores des enceintes.
- S'assurer que les enceintes fournies sont connectées et positionnées correctement. (Voir pages 4 et 5.)
- S'assurer que le téléviseur et l'appareil vidéo sont connectés correctement. (Voir pages 4 et 5.)
- S'assurer que le disque laser, la cassette vidéo, etc. sont compatibles .

REGLAGE DE LA BALANCE DES NIVEAUX DES ENCEINTES



Cet appareil possède un générateur de signal d'essai intégré, appelé séquenceur acoustique, pour un réglage aisé de la balance des cinq voies. Le séquenceur sort un signal sonore qui se "déplace" de voie à voie, permettant un réglage simple du niveau sonore pour obtenir, à la position d'écoute, le même niveau sonore apparent pour chaque voie. from each channel.

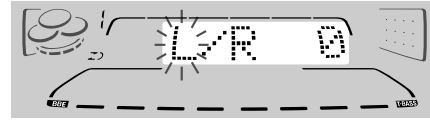
Utiliser la télécommande.

1 Appuyer sur DOLBY PRO LOGIC pour sélectionner NORMAL.

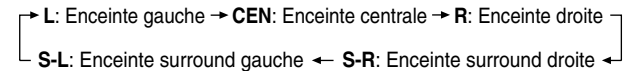
"NORMAL" est affiché.

Si "PHANTOM" ou "3 STEREO" est affiché, appuyer sur DOLBY PRO LOGIC à plusieurs reprises jusqu'à ce que "NORMAL" soit sélectionné.

2 Appuyer sur MANUAL SELECT pendant environ quatre secondes, jusqu'à ce que "L" clignote.

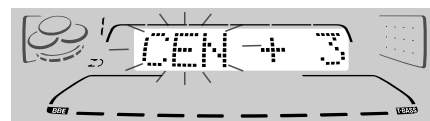


Un signal sonore est envoyé successivement à chaque canal dans l'ordre suivant.



3 Régler le niveau sonore des enceintes centrale et surround.

Tandis que "CEN", "S-R" ou "S-L" est affiché, appuyer sur ◀◀ DOWN ou ▶▶ UP pour régler le volume de l'enceinte centrale ou de chaque enceinte surround et l'adapter au niveau des enceintes avant.



Pour régler la balance entre les enceintes avant gauche et droite, voir page 9. A ce moment, le mode DOLBY PRO LOGIC doit être annulé en appuyant sur DOLBY PRO LOGIC jusqu'à ce que "OFF" soit affiché.

4 Appuyer de nouveau sur MANUAL SELECT pour arrêter le signal sonore.

REMARQUE

- Si le niveau des enceintes surround ou de l'enceinte centrale du système DOLBY PRO LOGIC est changé, celui du système DSP SURROUND (Voir page 11) et celui du système DOLBY DIGITAL SURROUND (Voir page 29) le sont également.
- Tandis que "S-L" ou "S-R" est affiché, le signal sonore sort par les deux enceintes surround en même temps. Toutefois, seul le niveau sonore d'une enceinte surround, affiché sous la forme "S-L" ou "S-R", peut être réglé.
- Quand le séquenceur sort un signal sonore, un cliquetis peut être émis par les enceintes du fait des caractéristiques du circuit. Ceci n'est pas une panne.

Au sujet des canaux

Les enceintes avant gauche et droite créent l'effet stéréo.

L'enceinte centrale aide à obtenir un positionnement sonore précis sur un large champ sonore.

Les enceintes surround montées à l'arrière améliorent la "profondeur" du champ sonore.

Pour changer le temps de retard

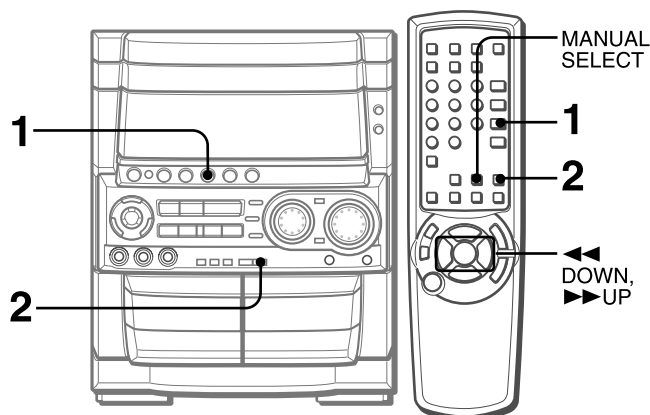
Les enceintes surround reproduisent les sons une fraction de seconde après les enceintes avant. Le retard est initialement réglé à 20 millisecondes (ms).

Pour changer ce temps de retard standard, appuyer à plusieurs reprises sur MANUAL SELECT de la télécommande jusqu'à ce que "TIME" soit affiché. Ensuite, appuyer sur ◀◀ DOWN ou ▶▶ UP. A chaque pression sur une des touches, le temps de retard change comme montré ci-dessous.

15 ms ↔ 20 ms ↔ 30 ms



LECTURE AVEC LE SYSTEME DOLBY PRO LOGIC



1 Appuyer sur VIDEO/AUX/5.1CH et mettre la source vidéo en lecture.

“VIDEO” est affiché.

Si “5.1 ch IN” est affiché, appuyer de nouveau sur **VIDEO/AUX/5.1CH**.

2 Appuyer sur DOLBY PRO LOGIC.

“NORMAL” est sélectionné, et le son de la lecture est audible avec l’effet DOLBY PRO LOGIC.

Pour annuler le mode Dolby Pro Logic

Appuyer sur **DOLBY PRO LOGIC** à plusieurs reprises jusqu’à ce que “OFF” soit affiché.

Pour changer les niveaux sonores pendant la lecture

Après avoir réglé la balance avec le séquenceur acoustique, le niveau sonore de l’enceinte centrale ou de chaque enceinte surround peut être réglé pendant la lecture d’un disque laser ou d’un support vidéo.

- 1 Appuyer à plusieurs reprises sur **MANUAL SELECT** de la télécommande pour sélectionner “CEN” (enceinte centrale), “S-L” (enceinte surround gauche) ou “S-R” (enceinte surround droite).
- 2 Tandis que “CEN”, “S-L” ou “S-R” est affiché, appuyer sur ◀◀ **DOWN** ou ▶▶ **UP** de la télécommande pour régler le volume.

AUTRES MODES DOLBY PRO LOGIC

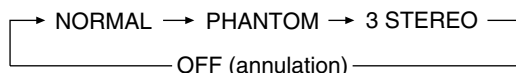
En plus du mode NORMAL, cet appareil possède les modes PHANTOM et 3 STEREO.

Mode PHANTOM: Utiliser ce mode quand aucune enceinte centrale n’est connectée. Les signaux de la voie centrale sont sortis par les enceintes gauche et droite.

Mode 3 STEREO: Utiliser ce mode quand aucune enceinte surround n’est connectée. Ce mode reproduit les sons arrière par les enceintes avant.

Pour sélectionner PHANTOM ou 3 STEREO

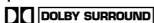
Appuyer sur **DOLBY PRO LOGIC** à plusieurs reprises jusqu’à ce que le mode DOLBY PRO LOGIC souhaité soit affiché. Le mode DOLBY PRO LOGIC est affiché de manière cyclique comme suit.



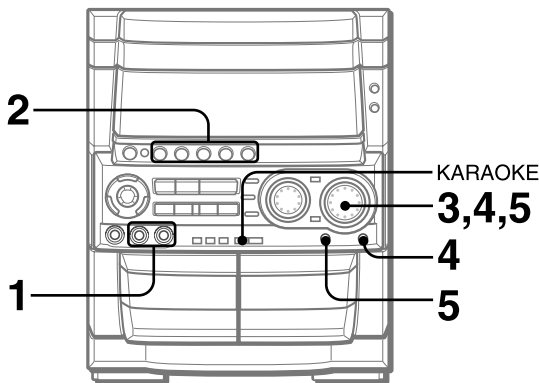
Pour régler la balance des niveaux sonores des enceintes connectées

Effectuer les étapes 2 à 4 de la partie “REGLAGE DE LA BALANCE DES NIVEAUX DES ENCEINTES”.

REMARQUE

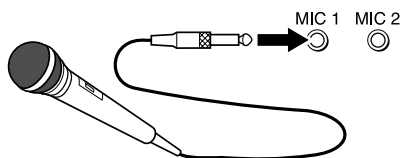
- Selon la source sonore et/ou les conditions d’écoute, un effet surround risque de ne pas être obtenu même quand le système DOLBY PRO LOGIC est en service.
- Un effet DOLBY PRO LOGIC total ne peut pas être obtenu quand on utilise un support ne portant pas la marque . Dans ce cas, utiliser le système DSP SURROUND à la place. (Voir page 11.)
- Le système DOLBY PRO LOGIC est annulé quand:
 - le niveau d’écho est changé.
 - le système DSP SURROUND ou BBE est mis en service.
 - un casque est branché.
 - la fonction Karaoke est mise en service.
 - l’entrée 5.1 CH (Voir page 29) est sélectionnée.
- Quand le système DOLBY PRO LOGIC est en service, le volume de microphone doit être réglé sur OFF. Autrement, le son DOLBY PRO LOGIC ne peut pas être reproduit correctement.

MIXAGE AVEC MICROPHONE



Pour chanter avec accompagnement par une source musicale, on peut brancher deux microphones (pas fournis) à cet appareil. Utiliser des microphones à fiche standard (6,3 mm Ø).

1 Brancher les microphones aux prises MIC 1 et MIC 2.



2 Appuyer sur une des touches de fonction pour sélectionner la source à mixer, et mettre cette source en lecture.

3 Régler le volume et la tonalité de la source.

4 Appuyer sur MIC puis tourner VOLUME dans les quatre secondes pour régler le volume de microphone.

Le volume de microphone peut être sélectionné de 1 à MAX (7) ou OFF (annulation).
Le volume des deux microphones est réglé simultanément.

5 Appuyer sur ECHO puis tourner VOLUME dans les quatre secondes pour régler le niveau d'écho.

Le niveau d'écho peut être sélectionné de 1 à MAX (7) ou OFF (annulation).

Pour changer le temps de retard de l'écho

Tenir **ECHO** enfoncée tandis que l'écho est en service. Les réglages "L" (Long) et "M" (Moyen) sont affichés alternativement. Relâcher la touche quand le réglage souhaité est affiché.

Pour enregistrer le son de microphone mixé avec la source sonore

Suivre la procédure d'enregistrement à partir de la source (voir page 17).

SYNC DUB ne peut pas être utilisée pour l'enregistrement de mixage.

Quand on n'utilise pas les microphones

Régler le volume de microphone et le niveau d'écho sur OFF et débrancher les microphones des prises **MIC**.

REMARQUE

- Quand on change le niveau d'écho, le mode DSP SURROUND et le système DOLBY PRO LOGIC sont automatiquement annulés.
- Quand le microphone ou l'écho est mis en service alors que l'entrée 5.1CH (Voir page 29) est sélectionnée, 5.1 CH passe à VIDEO.
- Si un microphone est placé trop près d'une enceinte, un bruit de hurlement risque de se produire. Le cas échéant, éloigner le microphone de l'enceinte ou baisser le volume de microphone.

- Si le son d'un microphone est extrêmement fort, il peut être déformé. Le cas échéant, baisser le volume de microphone.
- Quand la fonction est changée, les réglages de volume de microphone et de niveau d'écho sont annulés.

Microphones recommandés

L'utilisation de microphones de type unidirectionnel est recommandée pour éviter le hurlement. Pour plus de détails, contacter le distributeur Aiwa local

FONCTIONS VOCAL FADER/MULTIPLEX

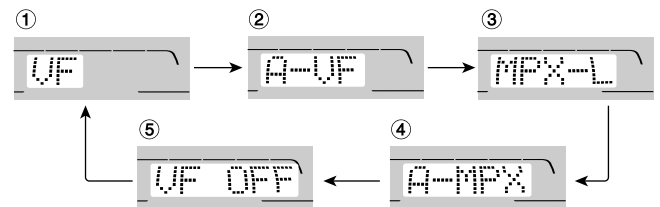
Cet appareil permet l'emploi de disques ou de cassettes comme sources Karaoke.

Utiliser la fonction Vocal Fader pour des disques ou cassettes ordinaires.

Utiliser la fonction Multiplex pour des disques ou cassettes multi audio.

Appuyer sur KARAOKE à plusieurs reprises pour sélectionner la fonction Vocal Fader ou Multiplex.

A chaque pression sur **KARAOKE**, une de ces fonctions est sélectionnée de manière cyclique.



1 Vocal Fader

La partie vocale devient plus douce que l'accompagnement.

2 Auto Vocal Fader

La partie vocale devient plus douce uniquement pendant qu'il y a une entrée audio par un microphone.

3 Multiplex

Seul le son du canal gauche est audible par les deux enceintes et le son du canal droit est atténué

4 Auto Multiplex

Le son du canal gauche est audible par les deux enceintes et le son du canal droit est atténué uniquement pendant qu'il y a une entrée audio par un microphone.

5 Annulation

Pour changer le réglage du retard de la fonction Auto Vocal Fader ou Auto Multiplex

La partie vocale atténuée peut être rétablie plus rapidement. Quand la fonction Auto Vocal Fader ou Auto Multiplex est sélectionnée, "A-VF" ou "A-MPX" est affiché pendant trois secondes puis l'affichage passe au nom de la fonction sélectionnée. Une fois que le nom de la fonction sélectionnée est affiché, tenir KARAOKE enfoncée jusqu'à ce que FAST soit affiché.

Pour revenir au réglage initial, sélectionner SLOW.

Quand l'alimentation est coupée, SLOW est sélectionné.

Pour changer le canal audible de la fonction Multiplex

Quand la fonction Multiplex est sélectionnée, "MPX-L" est affiché pendant trois secondes puis l'affichage passe au nom de la fonction sélectionnée. Une fois que le nom de la fonction sélectionnée est affiché, tenir KARAOKE enfoncée jusqu'à ce que MPX-R soit affiché.

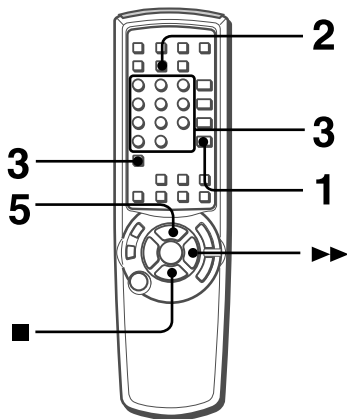
Pour revenir au réglage initial, sélectionner MPX-L.

Quand l'alimentation est coupée, MPX-L est sélectionné.

REMARQUE

- Les fonctions Karaoke risquent de ne pas fonctionner correctement avec les disques compacts ou cassettes suivants.
 - Disques ou cassettes à enregistrement mono
 - Disques ou cassettes enregistrés avec de forts échos
 - Disques ou cassettes avec la partie vocale enregistrée sur la droite ou la gauche du spectre sonore
- Quand la fonction Karaoke est en service, le son est sorti en monophonie.
- Quand la fonction est changée, la fonction Karaoke est annulée.

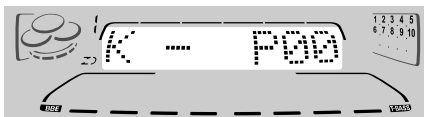
PROGRAMME DE KARAOKE



Avant ou pendant la lecture de disque compact, on peut réserver jusqu'à quinze plages à lire après la plage courante. Chaque réservation est effacée quand sa lecture est terminée.

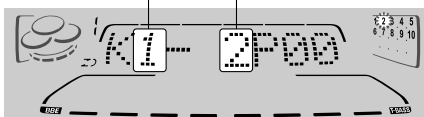
Utiliser la télécommande.

- 1 Appuyer sur CD et mettre les disques en place.**
- 2 Appuyer une fois sur PRGM.**



- 3 Appuyer sur DISC DIRECT PLAY et, dans les trois secondes, appuyer sur 1, 2 ou 3 pour sélectionner un disque.**
Ensuite, programmer une plage à l'aide des touches numériques 0-9 et +10.

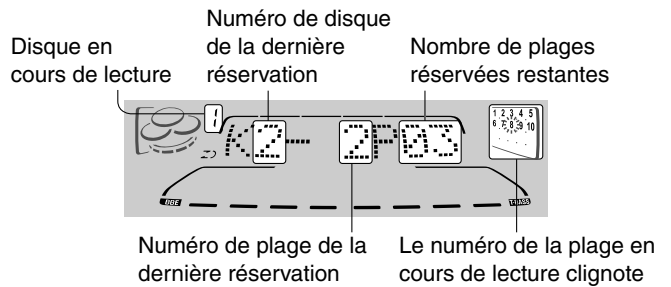
Numéro du disque réservé Numéro de la plage réservée



- 4 Répéter l'étape 3 pour réserver d'autres plages.**

5 Appuyer sur ◀▶ pour démarrer la lecture.

Une fois qu'une plage est lue, elle est effacée du programme.



Pour ajouter une réservation pendant la lecture

Répéter l'étape 3.

Pour contrôler les plages réservées

Appuyer sur **CD EDIT/CHECK** à plusieurs reprises. A chaque pression, un numéro de disque et un numéro de plage sont affichés dans l'ordre réservé.

Pour arrêter la lecture

Appuyer sur ■.

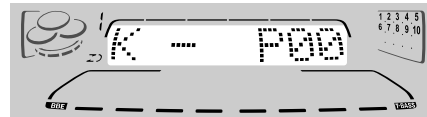
Quand on appuie sur ◀▶, la lecture redémarre à la dernière plage.

Pour sauter la plage en cours de lecture

Appuyer sur ▶▶. La plage sautée est effacée du programme.

Pour effacer toutes les réservations

Appuyer sur ▶▶ à plusieurs reprises jusqu'à ce que "K - P00" soit affiché.

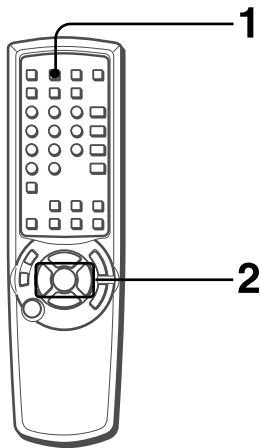


Pour annuler le programme de Karaoke, appuyer une fois de plus sur cette touche. L'affichage repasse à celui de la lecture de disque compact.

REMARQUE

- Si le numéro de plage réservé n'existe pas sur le disque sélectionné, l'appareil arrête la lecture et l'affichage clignote. Dans ce cas, appuyer sur ▶▶ pour sauter l'erreur. Ensuite, appuyer sur ◀▶ pour démarrer la lecture à la plage réservée suivante.
- Si on appuie plusieurs fois sur **PRGM** à l'étape 2, "PRGM" est affiché et l'appareil passe au mode lecture programmée de disque compact (voir page 16).
Pour annuler la lecture programmée, appuyer sur ■ **CLEAR**.

REGLAGE DE LA MINUTERIE D'ARRÊT



L'appareil peut être mis hors tension automatiquement au bout d'un temps spécifié.

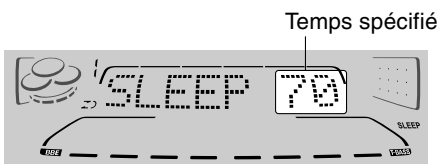
Utiliser la télécommande.

1 Appuyer sur SLEEP.



2 Dans les quatre secondes, appuyer sur ◀◀ DOWN ou ▶▶ UP pour spécifier le temps jusqu'à la mise hors tension.

Le temps change entre 5 et 240 minutes par pas de 5 minutes. On peut aussi utiliser MULTI JOG au lieu de ◀◀ ou ▶▶.



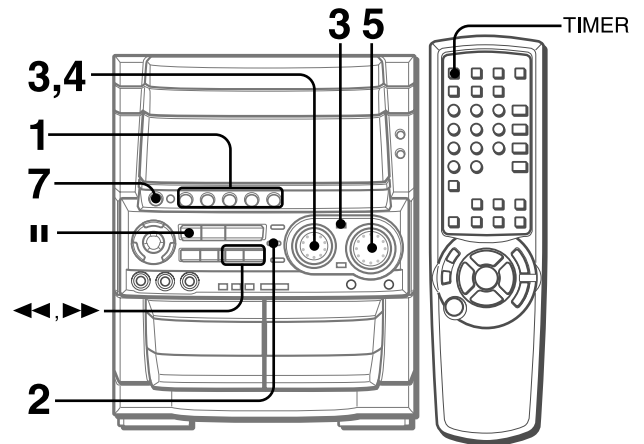
Pour contrôler le temps restant jusqu'à la mise hors tension

Appuyer une fois sur SLEEP. Le temps restant est affiché pendant quatre secondes.

Pour annuler la minuterie d'arrêt

Appuyer deux fois sur SLEEP de manière que "SLEEP OFF" apparaisse sur l'affichage.

REGLAGE DE LA MINUTERIE



Avec la minuterie intégrée, l'appareil peut être mis sous tension chaque jour à l'heure spécifiée.

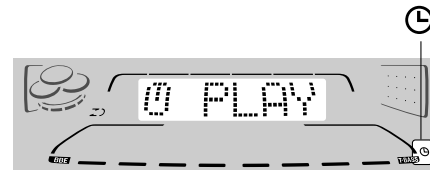
Préparation

S'assurer que l'horloge est réglée correctement.

1 Appuyer sur une des touches de fonction pour sélectionner une source.

2 Appuyer sur TIMER à plusieurs reprises jusqu'à ce que ⌚ apparaisse sur l'affichage.

L'heure et le nom de la source audio clignotent alternativement.



3 Dans les six secondes, tourner MULTI JOG pour spécifier l'heure de la mise sous tension par la minuterie, puis appuyer sur ENTER ou ||.

La rotation de MULTI JOG change à la fois les heures et les minutes.

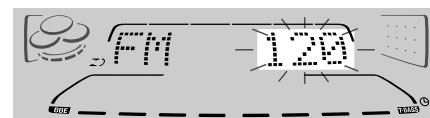
On peut aussi utiliser ◀◀ ou ▶▶ au lieu de MULTI JOG. Le fait de tenir ces touches enfoncées fait varier l'heure rapidement.



4 Dans les quatre secondes, tourner MULTI JOG pour sélectionner la durée de la mise sous tension par la minuterie.

La durée peut être spécifiée entre 5 et 240 minutes par pas de 5 minutes.

On peut aussi utiliser ◀◀ ou ▶▶ au lieu de MULTI JOG.



La durée est automatiquement réglée au bout de quatre secondes. Elle est aussi réglée si on appuie sur ENTER ou || dans les quatre secondes après l'étape 4.

5 Régler le volume.

Lors de la mise sous tension par la minuterie, le son de la source sera reproduit au niveau du volume réglé à cette étape. Toutefois, si le niveau du volume est réglé à 21 ou plus, il sera automatiquement réglé à 20 lors de la mise sous tension.

6 Préparer la source.

Pour écouter un disque compact, mettre le disque à lire en premier en place sur le plateau 1.

Pour écouter une cassette, l'insérer dans la platine 1 ou 2.

Pour écouter la radio, sélectionner la gamme et accorder sur la station.

7 Appuyer sur POWER pour mettre l'appareil hors tension.

Quand l'heure de la mise sous tension par la minuterie est atteinte, l'appareil est mis sous tension et la lecture commence sur la source sélectionnée.

REMARQUE

En appuyant sur une des touches de fonction avant d'appuyer sur **ENTER** ou **II** à l'étape 3, on peut changer la source sélectionnée à l'étape 1.

Pour contrôler le réglage de la minuterie

Appuyer sur **TIMER**.

L'heure de la mise sous tension par la minuterie, la source sélectionnée et la durée de la mise sous tension par la minuterie sont affichées pendant quatre secondes.

Pour changer un réglage

Recommencer à partir de l'étape 1.

Toutefois, si on ne change pas l'heure de la mise sous tension par la minuterie, appuyer deux fois sur **ENTER** à l'étape 3 et continuer à partir de l'étape 4.

Pour annuler provisoirement le mode attente de minuterie

Appuyer sur **TIMER** à plusieurs reprises de manière que **⌚** disparaisse.

Pour rétablir le mode attente de minuterie, appuyer de nouveau sur la touche de manière que **⌚** soit affiché.

Utilisation de l'appareil lorsque la minuterie est réglée

On peut utiliser l'appareil normalement après avoir réglé la minuterie.

Avant de mettre l'appareil hors tension, effectuer les étapes 5 et 6.

REMARQUE

- La lecture et l'enregistrement commandés par la minuterie ne se feront pas si l'appareil n'est pas mis hors tension.
- Un appareil connecté ne peut pas être mis sous et hors tension par la minuterie intégrée de l'appareil principal. Utiliser une minuterie externe.

ENREGISTREMENT COMMANDE PAR MINUTERIE

L'enregistrement commandé par minuterie est applicable seulement aux sources TUNER et VIDEO/AUX/5.1CH (avec une minuterie externe).

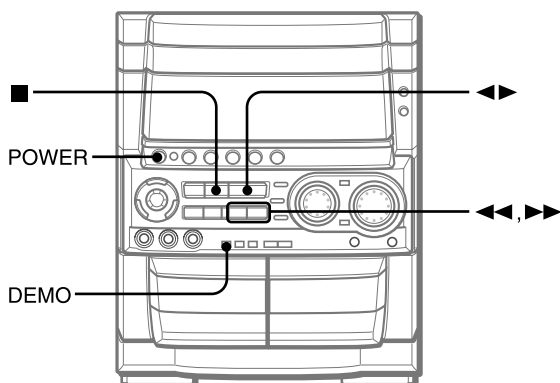
Appuyer sur **TUNER/BAND** ou **VIDEO/AUX/5.1CH** pour sélectionner une source, puis **appuyer sur TIMER à plusieurs reprises jusqu'à ce que ⌚ REC apparaisse sur l'affichage.**

Dans les six secondes, effectuer les étapes de la partie "REGLAGE DE LA MINUTERIE" à partir de l'étape 3 et, après l'étape 6, insérer la cassette à enregistrer dans la platine 2.

REMARQUE

- Si l'enregistrement commandé par minuterie est fait avec le mode économie d'énergie (page 7) réglé sur "ECO ON" ou "ECO AUTO" et si l'appareil se met hors tension, la luminosité sera réglée sur le niveau minimal et le niveau du volume sera 0 (niveau minimal) lors de la mise sous tension suivante.
- On ne peut pas utiliser la fonction minuterie pour enregistrer à partir d'un disque compact ou d'une cassette.
- On peut contrôler le réglage de la minuterie en appuyant sur **TIMER** même quand l'alimentation est coupée. Dans ce cas, si on appuie sur **ENTER** ou sur **II** dans les quatre secondes après avoir appuyé sur **TIMER**, on peut passer au mode réglage de minuterie et changer le réglage précédent.

DEMO (Démonstration)



On peut profiter de deux sortes de modes DEMO sur cet appareil. L'une est une *démonstration*, l'autre est un *jeu*. Dans le mode démonstration, un éclairage chatoyant apparaît sur l'affichage. Dans le mode jeu, on peut s'amuser.

Pour passer d'un mode à l'autre, appuyer sur **POWER** tout en appuyant sur **DEMO** quand l'alimentation est coupée.

Utilisation du jeu Demo

1 Appuyer sur DEMO, que l'appareil soit sous ou hors tension, et que l'horloge soit réglée ou pas.

2 Appuyer sur ◀▶.

Trois chiffres se déplacent sur l'affichage.

3 Appuyer une fois sur ■.

Le chiffre de gauche s'arrête.

4 Appuyer deux fois sur ■ pour arrêter les deux autres chiffres.

Marque:

On dispose de 20 points au démarrage du jeu.

Si les trois chiffres sont égaux, 50 points sont ajoutés au score.

Si les chiffres ne sont pas égaux, un point est soustrait.

Si le score atteint 9999, on a gagné.

Si le score tombe à 0, on a perdu.

Pour annuler le jeu Demo

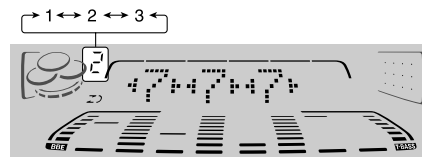
Appuyer sur **DEMO**.

Pour réinitialiser le jeu Demo

Appuyer deux fois sur **DEMO**.

Pour changer la probabilité d'égalisation des trois chiffres

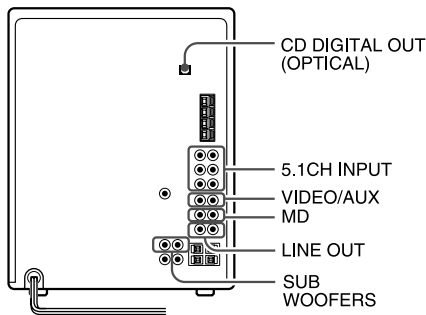
Appuyer sur ◀◀ ou ▶▶ à plusieurs reprises pour sélectionner un des trois niveaux de probabilité lors de l'utilisation du jeu Demo. L'indicateur de numéro de plateau change entre 1 et 3 sur l'affichage. La probabilité d'égalisation augmente comme le numéro de plateau augmente de 1 à 3.



REMARQUE

- Pendant l'utilisation du jeu Demo, ■, ◀▶, ▶▶ et ◀▶ ne sont disponibles que pour ce jeu. Pour utiliser ces touches pour les fonctions telles que lecture de disque compact ou autre, annuler le jeu Demo.
- Pendant le jeu Demo, certains indicateurs sans rapport avec l'utilisation en cours s'allument sur l'affichage.
- Pendant l'enregistrement, DEMO est bloquée et ne fonctionne pas.
- Le jeu Demo est automatiquement annulé si on règle le volume quand l'appareil est sous tension.

CONNEXION D'UN APPAREIL OPTIONNEL



Pour plus de détails, se reporter au mode d'emploi de l'appareil connecté.

- Les cordons de raccordement ne sont pas fournis. Se procurer les cordons nécessaires.
- Pour les appareils optionnels disponibles, consulter le distributeur Aiwa local.

PRISES VIDEO/AUX

Cet appareil peut recevoir des signaux sonores analogiques par ces prises.

Utiliser un câble à fiches phono RCA pour connecter un appareil audio (tourne-disque, lecteur de disque laser, lecteur de minidisque, magnéto, téléviseur, etc.).

Connecter la fiche rouge à la prise **VIDEO/AUX R** et la fiche blanche à la prise **VIDEO/AUX L**.

Pour connecter un tourne-disque

Utiliser un tourne-disque Aiwa muni d'un amplificateur à égaliseur intégré.

PRISES MD

Ces prises sont recommandées pour la connexion d'un lecteur de minidisque.

Utiliser un câble à fiches phono RCA.

Connecter la fiche rouge à la prise **MD R** et la fiche blanche à la prise **MD L**.

PRISES LINE OUT

Cet appareil peut sortir les signaux sonores analogiques par ces prises.

Utiliser un câble à fiches phono RCA pour connecter un appareil audio muni de prises **LINE IN** (entrée analogique).

Connecter la fiche rouge à la prise **LINE OUT R** et la fiche blanche à la prise **LINE OUT L**.

REMARQUE

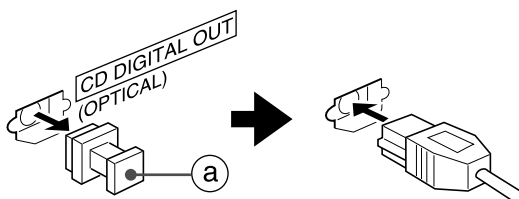
Ne pas connecter un appareil aux prises **LINE OUT** et aux prises **VIDEO/AUX** simultanément. Cela générerait des parasites et provoquerait une panne.

PRISE CD DIGITAL OUT (OPTICAL)

Cet appareil peut sortir les signaux sonores numériques de disque compact par cette prise.

Utiliser un câble optique pour connecter un appareil audio numérique (platine DAT, enregistreur de minidisque, etc.).

Enlever le capuchon antipoussière (a) de la prise **CD DIGITAL OUT (OPTICAL)**. Ensuite, connecter la fiche d'un câble optique à cette prise.



Quand la prise CD DIGITAL OUT (OPTICAL) n'est pas utilisée
Mettre en place le capuchon antipoussière fourni.

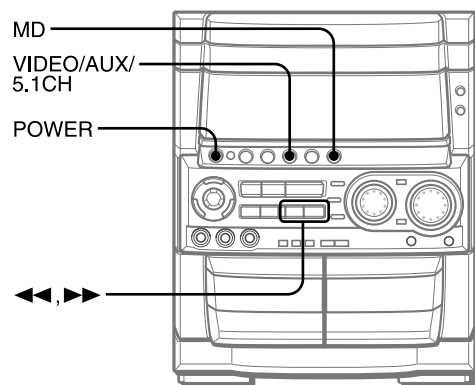
PRISES SUBWOOFER

Connecter un caisson de graves alimenté optionnel muni d'un amplificateur intégré à l'une ou l'autre des deux prises **SUBWOOFERS**.

PRISES 5.1 CH INPUT

Cet appareil peut recevoir des signaux sonores de l'appareil audio (lecteur de DVD, lecteur de disque laser, etc.) qui contient un décodeur Dolby Digital muni de bornes de sortie 5.1 ch. Se reporter à la partie "CONNEXION D'UN LECTEUR DE DVD", page 29.

ECOUTE DE SOURCES EXTERNES



Pour utiliser l'appareil connecté aux prises **VIDEO/AUX** ou aux prises **MD**, procéder de la manière suivante.

1 Appuyer sur VIDEO/AUX/5.1CH ou MD.

Pour utiliser l'appareil connecté aux prises **VIDEO/AUX**, appuyer sur **VIDEO/AUX/5.1CH**. "VIDEO" apparaît sur l'affichage.

Pour utiliser l'appareil connecté aux prises **MD**, appuyer sur **MD**. "MD" apparaît sur l'affichage.

2 Mettre l'appareil connecté en lecture.

Pour changer un nom de source sur l'affichage

Quand on appuie sur **VIDEO/AUX/5.1CH**, "VIDEO" est affiché initialement. On peut remplacer ce nom par "AUX" ou "TV".

L'appareil étant sous tension, appuyer sur **POWER** tout en appuyant sur **VIDEO/AUX/5.1CH**.

Répéter cette procédure pour sélectionner un des noms.

Pour régler le niveau sonore de la source externe

Si le niveau sonore de la source externe est beaucoup plus élevé ou beaucoup plus faible que celui des autres sources, le régler de la manière suivante.

1 Appuyer sur **VIDEO/AUX/5.1CH** ou **MD** et mettre l'appareil en lecture.

2 Appuyer sur **◀** ou **▶** de manière que le niveau sonore soit le même que celui des autres sources.

REMARQUE

Pendant l'enregistrement, le niveau sonore ne peut pas être réglé.

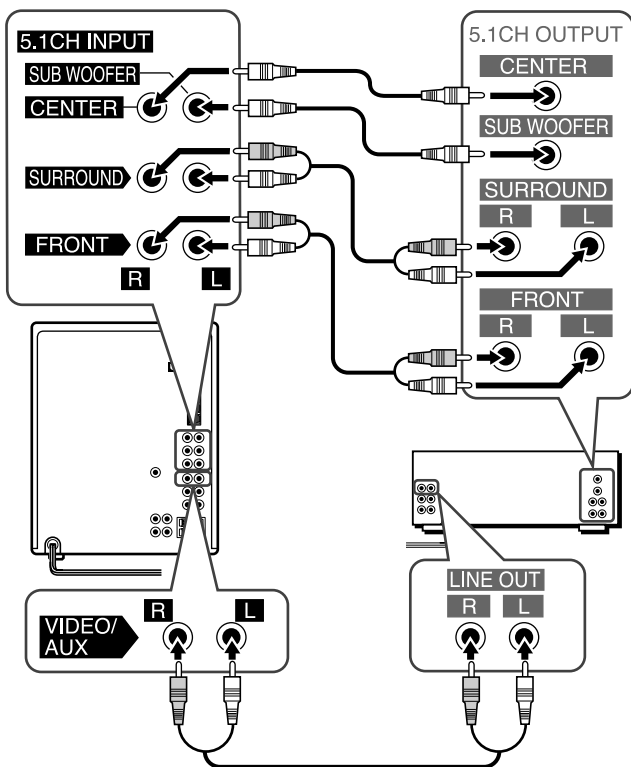
CONNEXION D'UN LECTEUR DE DVD

Les prises **5.1CH INPUT** de cet appareil sont compatibles avec le système DOLBY DIGITAL SURROUND.

A l'aide de câbles à fiches phono RCA, connecter un lecteur de DVD muni de prises de sortie 5.1CH à cet appareil comme indiqué ci-après:

Prises de cet appareil	Prises du lecteur de DVD
5.1CH SUB WOOFER	5.1CH OUTPUT SUB WOOFER, etc.
5.1CH CENTER	5.1CH OUTPUT CENTER, etc.
5.1CH SURROUND (L,R)	5.1CH OUTPUT SURROUND (L,R), etc.
5.1CH FRONT (L,R)	5.1CH OUTPUT FRONT (L,R), etc.
VIDEO/AUX (L,R)	LINE OUT (L,R), etc.

(Voir "REMARQUE" ci-dessous.)



REMARQUE

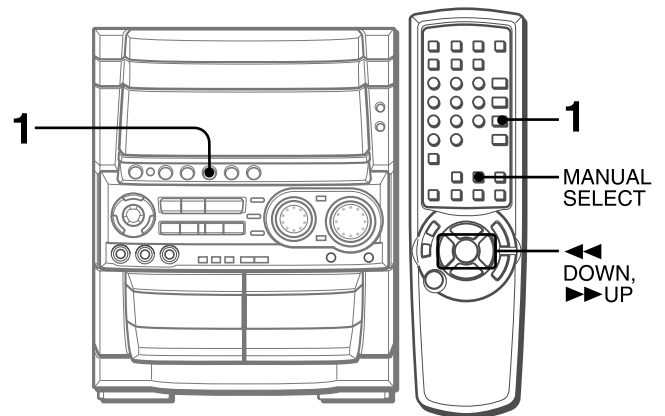
- Si le lecteur de DVD n'est pas connecté aux prises **VIDEO/AUX** de cet appareil:
 - l'analyseur de spectre ne montre pas le niveau sonore du lecteur de DVD.
 - le son venant du lecteur de DVD connecté ne peut pas être enregistré.

Pour remédier à ces inconvénients, connecter les prises **LINE OUT** du lecteur de DVD aux prises **VIDEO/AUX** de cet appareil en plus de la connexion aux prises **5.1CH INPUT**. La connexion aux prises **VIDEO/AUX** permet le fonctionnement de l'analyseur de spectre et l'enregistrement.

Voir aussi le mode d'emploi du lecteur de DVD utilisé.

- L'enregistrement du son DOLBY DIGITAL SURROUND est impossible.

ECOUTE DE SON DOLBY DIGITAL SURROUND



Quand un lecteur de DVD est connecté aux prises **5.1CH INPUT** de cet appareil, on peut utiliser le système DOLBY DIGITAL SURROUND qui permet l'obtention d'un son de qualité spectacle à domicile.

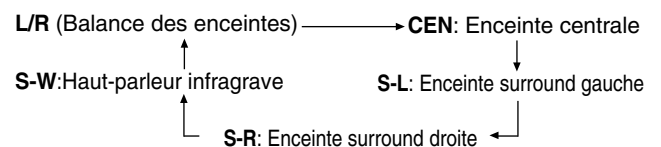
- 1 Appuyer sur **VIDEO/AUX/5.1CH** à plusieurs reprises jusqu'à ce que "5.1 ch IN" soit affiché.
- 2 Démarrer la lecture du son DOLBY DIGITAL SURROUND sur le lecteur de DVD.

REMARQUE

- Les systèmes DOLBY PRO LOGIC, BBE et DSP SURROUND sont automatiquement annulés quand l'entrée 5.1 CH est sélectionnée.
- S'assurer que le support utilisé avec le lecteur de DVD connecté est compatible avec le système DOLBY DIGITAL SURROUND.
- La fonction passe de 5.1 CH à VIDEO quand:
 - un casque est branché.
 - le volume de microphone ou le niveau d'écho est changé.
 - on met le système DSP SURROUND, le système DOLBY PRO LOGIC ou la fonction Karaoke en service.

Pour régler les niveaux sonores des enceintes centrale et surround en mode DOLBY DIGITAL SURROUND

- 1 Appuyer sur **VIDEO/AUX/5.1CH** à plusieurs reprises jusqu'à ce que "5.1 ch IN" soit affiché.
- 2 Appuyer sur **MANUAL SELECT** à plusieurs reprises. Les noms d'enceinte apparaissent séquentiellement comme suit:



- 3 Tandis que "CEN", "S-L", "S-R" ou "S-W" est affiché, appuyer sur **DOWN** ou **UP** pour régler le niveau sonore. Chaque niveau peut être réglé entre -8 dB et +7 dB.
- 4 Répéter les étapes 2 et 3 pour régler le niveau sonore de chaque enceinte.

REMARQUE

Si le niveau des enceintes surround ou de l'enceinte centrale du système DOLBY DIGITAL SURROUND est changé, celui du système DSP SURROUND (Voir page 11) et celui du système DOLBY PRO LOGIC (Voir page 21) le sont également.

SOINS ET ENTRETIEN

Un entretien et des soins réguliers de l'appareil et des disques et cassettes sont nécessaires pour assurer un fonctionnement optimal.

Nettoyage du coffret

Utiliser un chiffon doux et sec.

Si l'appareil est extrêmement sale, utiliser un chiffon doux légèrement imbibé d'une solution détergente douce. Afin de ne pas altérer le fini de l'appareil, ne pas utiliser de solvants forts, tels que de l'alcool, de la benzine ou du diluant.

Nettoyage des têtes du magnétocassette

Quand les têtes du magnétocassette sont sales:

- il n'y a pas de sons aigus
- le son est trop faible
- le son est déséquilibré
- l'effacement d'une cassette est impossible
- l'enregistrement d'une cassette est impossible

Toutes les dix heures d'utilisation, nettoyer les têtes du magnétocassette avec une cassette prévue à cet effet.

Pour plus de détails, se référer au mode d'emploi de la cassette de nettoyage.

Démagnétisation des têtes du magnétocassette

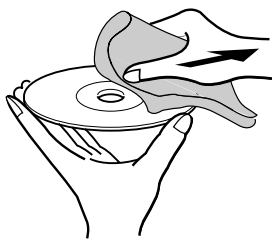
A la longue, les têtes du magnétocassette peuvent devenir magnétisées. Ceci peut restreindre la plage de sortie des cassettes enregistrées et augmenter le bruit.

A l'aide d'une cassette de démagnétisation disponible dans le commerce, démagnétiser les têtes du magnétocassette toutes les 20 à 30 heures d'utilisation.

Pour plus de détails, se référer au mode d'emploi de la cassette de démagnétisation.

Soins des disques

- Si un disque est sale, l'essuyer du centre vers l'extérieur avec un chiffon de nettoyage.



- Après la lecture d'un disque, le ranger dans son étui. Ne pas laisser le disque dans un endroit chaud ou humide.

Soins des cassettes

- Après l'utilisation, ranger les cassettes dans leurs boîtes.
- Ne pas laisser les cassettes près d'un aimant, d'un moteur électrique, d'un téléviseur ou de toute autre source de champ magnétique. Cela diminuerait la qualité sonore et provoquerait du souffle.
- Ne pas exposer les cassettes au soleil ni les laisser dans un véhicule garé au soleil.

EN CAS DE PROBLEME

Si l'appareil ne fonctionne pas comme décrit dans ce mode d'emploi, contrôler le guide suivant.

GENERALITES**Il n'y a pas de son.**

- Le cordon secteur est-il branché correctement?
- N'y a-t-il pas une mauvaise connexion? (→ page 4)
- Il y a peut-être un court-circuit dans les bornes d'enceinte.
 - Débrancher le cordon secteur puis corriger les connexions d'enceinte.
- Une touche de fonction incorrecte n'est-elle pas en service?

Le son ne sort que par une seule enceinte.

- L'autre enceinte n'est-elle pas déconnectée?

Le son sorti n'est pas stéréo.

- La fonction Karaoke n'est-elle pas en service? (→ page 23)

Un affichage ou un fonctionnement erroné se produit.

→ Réinitialiser l'appareil comme indiqué ci-dessous.

L'appareil s'éteint quand l'alimentation est coupée.

- Le mode économie d'énergie n'est-il pas réglé sur "ECO ON" ou "ECO AUTO"? (→ page 7)

L'appareil n'est pas sous tension.

→ Débrancher le cordon secteur puis le rebrancher quelques secondes après.

PARTIE TUNER**Il y a des charges statiques constantes en forme d'onde.**

- L'antenne est-elle connectée correctement? (→ page 6)
- Le signal n'est-il pas faible?
 - Connecter une antenne extérieure.

La réception présente des parasites ou le son présente de la distorsion.

- Le système ne capte-t-il pas des bruits extérieurs ou des ondes réfléchies?
 - Changer l'orientation de l'antenne.
 - Eloigner l'appareil d'autres appareils électriques.

PARTIE MAGNETOCASSETTE**La bande ne défile pas.**

- La platine 2 n'est-elle pas en mode pause? (→ page 13)

Le son est déséquilibré ou trop faible.

- La tête de lecture n'est-elle pas sale? (→ voir ci-dessus)

L'enregistrement est impossible.

- Un ergot de sécurité de la cassette n'est-il pas absent? (→ page 14)
- La tête d'enregistrement n'est-elle pas sale? (→ voir ci-dessus)

L'effacement est impossible.

- La tête d'effacement n'est-elle pas sale? (→ voir ci-dessus)
- Une cassette au métal n'est-elle pas utilisée?

Il n'y a pas de sons aigus.

- La tête d'enregistrement/de lecture n'est-elle pas sale? (→ voir ci-dessus)

PARTIE LECTEUR DE DISQUES COMPACTS**La lecture ne fonctionne pas.**

- Le disque est-il correctement mis en place? (→ page 15)
- Le disque n'est-il pas sale? (→ voir ci-dessus)
- N'y a-t-il pas de la condensation sur la lentille?
 - Attendre environ une heure puis essayer de nouveau.

Pour réinitialiser

Si une anomalie apparaît sur la fenêtre d'affichage ou dans le magnétocassette, réinitialiser l'appareil de la manière suivante.

- 1 Appuyer sur **POWER** pour couper l'alimentation.
- 2 Tout en appuyant sur **CLEAR**, appuyer sur **POWER** pour remettre l'appareil sous tension. Toutes les données mémorisées après l'achat sont effacées.

Si à l'étape 1 l'alimentation ne peut pas être coupée du fait d'une anomalie, réinitialiser en débranchant le cordon secteur, puis le rebrancher. Ensuite, effectuer l'étape 2.

SPECIFICATIONS

Appareil principal CX-NHMT75

Partie tuner FM

Plage d'accord	87,5 MHz à 108 MHz
Sensibilité utile (IHF)	13,2 dBf
Bornes d'antenne	75 ohms (asymétrique)

Partie tuner AM

Plage d'accord	530 kHz à 1710 kHz (par pas de 10 kHz) 531 kHz à 1602 kHz (par pas de 9 kHz)
Sensibilité utile	350 µV/m
Antenne	Antenne cadre

Partie amplificateur

Puissance de sortie	Avant 100 W + 100 W (50 Hz – 20 kHz, D.H.T. inférieure à 1%, 6 ohms) Arrière (Surround) 33 W + 33 W (1 kHz, D.H.T. inférieure à 1%, 8 ohms) Centre 34 W (1 kHz, D.H.T. inférieure à 1%, 8 ohms)
Distorsion harmonique total	0,1 % (40 W, 1 kHz, 6 ohms, AUDIO DIN/Avant)
Entrées	VIDEO/AUX: 316 mV (réglable) MD: 316 mV (réglable) MIC 1, MIC 2: 1 mV (10 kohms) 5.1 CH INPUT (réglable) FRONT (L,R): 240 mV REAR (L,R): 220 mV CENTER (L,R): 370 mV SUB WOOFER (L,R): 240 mV
Sorties	SPEAKERS: acceptent des enceintes de 6 ohms ou plus SURROUND SPEAKERS: acceptent des enceintes de 8 à 16 ohms CENTER SPEAKER: accepte une enceinte de 8 ohms ou plus SUBWOOFER: 1,1 V LINE OUT: 210 mV PHONES (prise stéréo): accepte un casque de 32 ohms ou plus

Partie magnétocassette

Format de piste	4 pistes, 2 canaux stéréo
Réponse en fréquence	Bande CrO ₂ : 50 Hz – 16000 Hz Bande normale: 50 Hz – 15000 Hz
Système d'enregistrement	Polarisation CA
Têtes	1 tête de lecture (platine 1) 1 tête d'enregistrement/de lecture, 1 tête d'effacement (platine 2)

Partie lecteur de disques compacts

Laser	Laser à semi-conducteurs ($\lambda = 780$ nm)
Convertisseur N/A	1 bit, double
Rapport signal/bruit	85 dB (1 kHz, 0 dB)
Distorsion harmonique	0,05% (1 kHz, 0 dB)
Pleurage et scintillement	Non mesurable

Généralités


Alimentation électrique	Secteur 120 V, 60 Hz
Puissance absorbée	190 W
Puissance absorbée en attente	Si le mode économie d'énergie est réglé sur ECO OFF: 30 W Si le mode économie d'énergie est réglé sur ECO ON ou ECO AUTO: 0,7 W
Dimensions (L x H x P)	260 x 330 x 395 mm
Poids	9,5 kg

Enceintes acoustiques SX-NAJ72

Type de caisson	3 voies, bass-reflex (type à blindage antimagnétique)
Haut-parleurs	Haut-parleur de grave: cône de 140 mm Haut-parleur d'aigu: cône de 60 mm Super-tweeter: céramique 20 mm
Impédance	6 ohms
Niveau de pression acoustique de sortie	87 dB/W/m
Dimensions (L x H x P)	240 x 324 x 270 mm
Poids	4,5 kg

Les spécifications et l'aspect extérieur peuvent être modifiés sans préavis.

DOLBY PRO LOGIC

Fabriqué sous licence de Dolby Laboratories Licensing Corporation.
DOLBY, le symbole double-D  et PRO LOGIC sont des marques de Dolby Laboratories Licensing Corporation.

BBE SYSTEM

L'expression "BBE" et le symbole "BBE" sont des marques déposées de BBE Sound, Inc.
Sous licence de BBE Sound, Inc.

DROITS D'AUTEUR

Prière de vérifier les lois sur la propriété artistique relatives à l'enregistrement de disques, de la radio ou de cassettes dans le pays d'utilisation de l'appareil.